

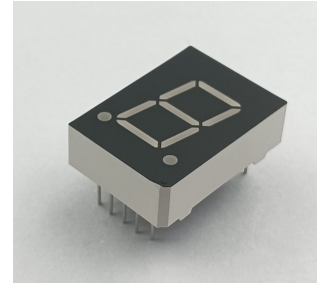
■ Features

- 0.6 Inch Single Digit Display
- Long lifetime operation
- IC compatible
- Low power dissipation
- Black surface & white segment or dot
- Number of pins :10

■ Applications

- Counting device
- Clock

■ Photo



Item	Symbol	Value		Unit
		YG/Y/O/RA	W/B/G	
DC Forward Current	I _F	20	20	mA
Pulse Forward Current#	I _{FP}	100	100	mA
Reverse Voltage	V _R	5	5	V
Power Dissipation	P _t	48	68	mW
Operating Temperature	Topr	-30 ~ +70		°C
Storage Temperature	Tstg	-40~ +85		°C
Lead Soldering Temperature(1.6mm from seating plane)	Tsol	260°C/5sec		°C

#Pulse width Max.10ms Duty ratio max 1/10

■ Electrical -Optical Characteristics (Ta=25°C)

Part Number	Color		V _F (V)			I _R (μA)	I _v (mcd)			λD(nm)		
			Min.	Typ.	Max.	Max.	Min.	Typ.	Max.	Min.	Typ.	Max.
			I _F =20mA			V _R =5V	I _F =20mA					
OSL10601-IW(LW)	White	W	-	2.9	3.4	20	-	100	-	CCT:8500-18000K		
OSL10601-IB(LB)	Blue	B	-	2.9	3.4	20	-	50	-	460	470	475
OSL10601-IG(LG)	Pure Green	G	-	2.9	3.4	20	-	200	-	515	525	530
OSL10601-IYG(LYG)	Yellow Green	YG	-	2.9	2.4	20	-	12	-	560	570	575
OSL10601-IY(LY)	Yellow	Y	-	2.0	2.4	20	-	60	-	585	590	595
OSL10601-IO(LO)	Orange	O	-	2.0	2.4	20	-	70	-	600	605	610
OSL10601-IRA(LRA)	Red	RA	-	2.0	2.4	20	-	100	-	620	625	630

*1 Tolerance of measurements of color temperature is ±10%

*2 Tolerance of measurements of dominant wavelength is ±1nm

*3 Tolerance of measurements of luminous intensity is ±15%

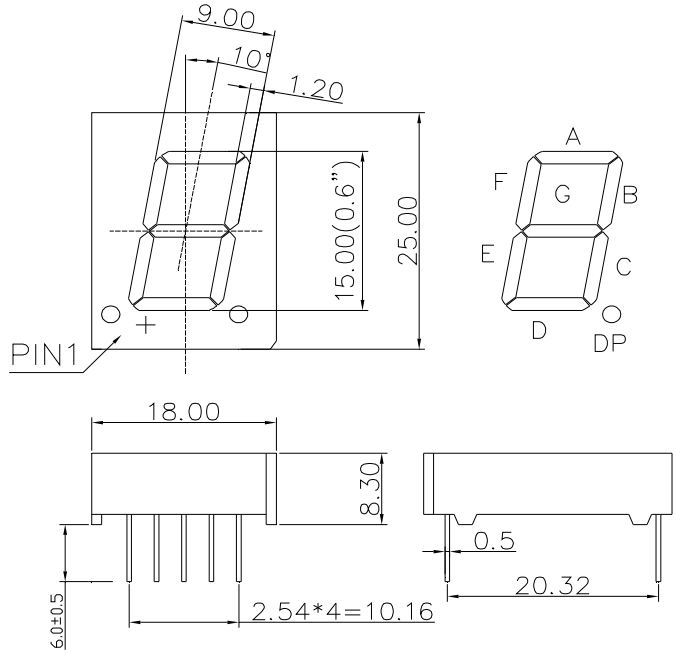
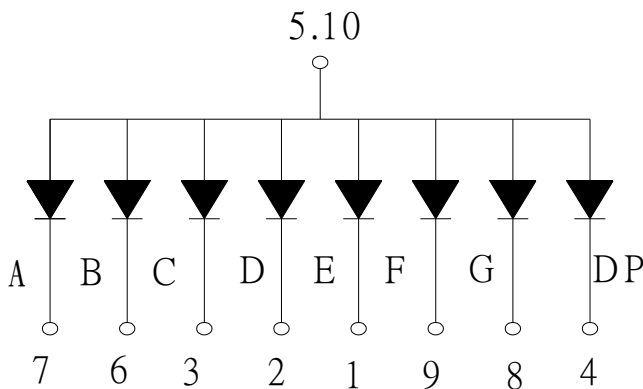
*4 Tolerance of measurements of forward voltage is±0.1V

0.6 Inch Single Digit Display
OSL10601-IX (Common Anode type)
OSL10601-LX (Common Cathode type)

Package Dimensions and Pin Function

**OSL10601-IX
(Common Anode type)**

Note:
1, Unit : mm(Tolerance:±0.25mm unless otherwise noted)
2, The slope angle of any PIN may be±5.0° Max



**OSL10601-LX
(Common Cathode type)**

Note:
1, Unit : mm(Tolerance:±0.25mm unless otherwise noted)
2, The slope angle of any PIN may be±5.0° Max

