

■ **Features**

- 0.39 Inch Single Digit Display
- Long lifetime operation
- IC compatible
- Low power dissipation
- Black **surface** & white segment or dot
- **Number of pins :10**

■ **Applications**

- Counting device
- Clock

■ **Absolute Maximum Rating** (Ta=25°C)

Item	Symbol	Value	Unit
DC Forward Current	I _F	20	mA
Pulse Forward Current#	I _{FP}	100	mA
Reverse Voltage	V _R	5	V
Power Dissipation	P _t	66	mW
Operating Temperature	T _{opr}	-30 ~ +70	°C
Storage Temperature	T _{stg}	-40~ +85	°C
Lead Soldering Temperature(1.6mm from seating plane)	T _{sol}	260°C/5sec	°C

#Pulse width Max.10ms Duty ratio max 1/10

■ **Electrical -Optical Characteristics** (Ta=25°C)

Part Number	Color		V _F (V)			I _R (μA)	I _v (mcd)			Chromaticity Coordinates*		
			Min.	Typ.	Max.	Max.	Min.	Typ.	Max.	Min.	Typ.	Max.
			I _F =20mA			V _R =5V	I _F =20mA					
OSL10391-IW5	Cool White	W	-	3.3	3.6	20	-	100	-	X:0.27	Y:0.28	
OSL10391-LW5	Cool White	W	-	3.3	3.6	20	-	100	-	X:0.27	Y:0.28	

*1 Tolerance of measurements of chromaticity coordinate is ±10%

*2 Tolerance of measurements of luminous intensity is ±15%

*3 Tolerance of measurements of forward voltage is±0.1V

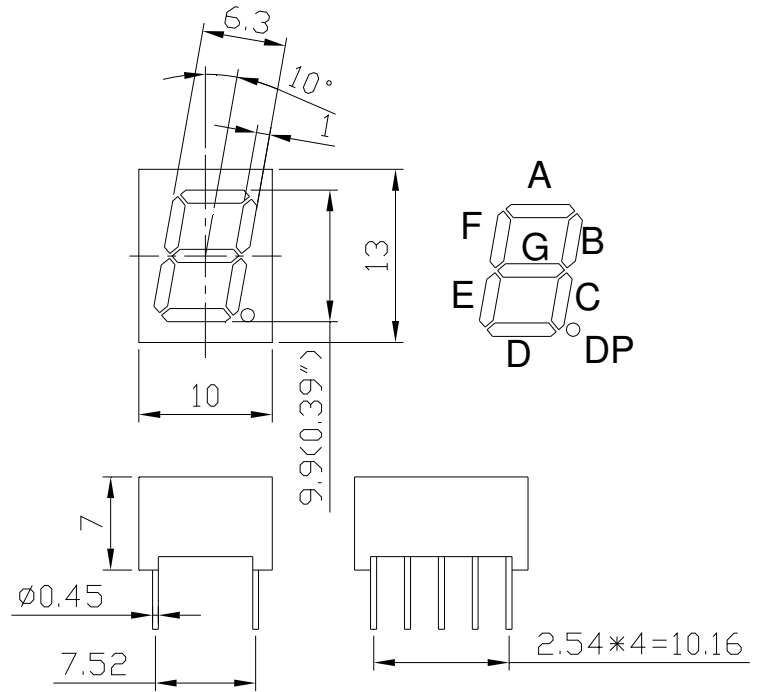
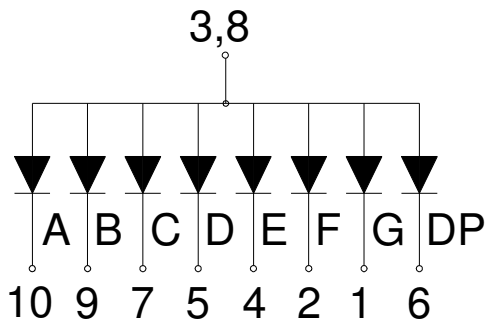
■ **Package Dimensions and Pin Function**

**OSL10391-IW5
(Common Anode type)**

Note:

1, Unit : mm (Tolerance: ± 0.25 mm unless otherwise noted)

2, The slope angle of any PIN may be $\pm 5.0^\circ$ Max



**OSL10391-LW5
(Common Cathode type)**

Note:

1, Unit : mm (Tolerance: ± 0.25 mm unless otherwise noted)

2, The slope angle of any PIN may be $\pm 5.0^\circ$ Max

