

■ **Features**

- 0.3 Inch Single Digit Display
- Long lifetime operation
- IC compatible
- Low power dissipation
- Grey surface & white segment or dot
- Number of pins:10

■ **Applications**

- Counting device
- Clock

■ **Absolute Maximum Rating** (Ta=25°C)

| Item   | Symbol          | Value       |       | Unit |
|--|-----------------|-------------|-------|------|
|  |                 | RA/R/O/Y/YG | B/G/W |      |
| DC Forward Current                                   | I <sub>F</sub>  | 20          | 20    | mA   |
| Pulse Forward Current#                               | I <sub>FP</sub> | 100         | 100   | mA   |
| Reverse Voltage                                      | V <sub>R</sub>  | 5           | 5     | V    |
| Power Dissipation                                    | P <sub>t</sub>  | 50          | 72    | mW   |
| Operating Temperature                                | Topr            | -30 ~ +70   |       | °C   |
| Storage Temperature                                  | Tstg            | -40 ~ +85   |       | °C   |
| Lead Soldering Temperature(1.6mm from seating plane) | Tsol            | 260°C/5sec  |       | °C   |

#Pulse width Max.10ms Duty ratio max 1/10

■ **Electrical -Optical Characteristics** (Ta=25°C)

| Part Number       | Color              |    | V <sub>F</sub> (V)   |      |      | I <sub>R</sub> (μA) | I <sub>v</sub> (mcd) |      |      | λD(nm)                             |      |      |     |
|-------------------|--------------------|----|----------------------|------|------|---------------------|----------------------|------|------|------------------------------------|------|------|-----|
|                   |                    |    | Min.                 | Typ. | Max. | Max.                | Min.                 | Typ. | Max. | Min.                               | Typ. | Max. |     |
|                   |                    |    | I <sub>F</sub> =20mA |      |      | V <sub>R</sub> =5V  | I <sub>F</sub> =20mA |      |      |                                    |      |      |     |
| OSK10303-IW(LW)   | White              | W  | -                    | 3.3  | 3.6  | 20                  | -                    | 65   | -    | X:0.2.7,Y0.28<br>(CCT:8500-18000K) |      |      |     |
| OSK10303-IB(LB)   | Blue               | B  | ■                    | -    | 3.3  | 3.6                 | 20                   | -    | 50   | -                                  | 460  | 465  | 475 |
| OSK10303-IG(LG)   | Pure Green         | G  | ■                    | -    | 3.3  | 3.6                 | 20                   | -    | 200  | -                                  | 515  | 525  | 530 |
| OSK10303-IYG(LYG) | Yellow Green       | YG | ■                    | -    | 2.2  | 2.6                 | 20                   | -    | 12   | -                                  | 565  | 570  | 575 |
| OSK10303-IY(LY)   | Yellow             | Y  | ■                    | -    | 2.1  | 2.5                 | 20                   | -    | 60   | -                                  | 585  | 590  | 595 |
| OSK10303-IO(LO)   | Orange             | O  | ■                    | -    | 2.1  | 2.5                 | 20                   | -    | 70   | -                                  | 600  | 605  | 610 |
| OSK10303-IR(LR)   | Red                | R  | ■                    | -    | 2.1  | 2.5                 | 20                   | -    | 26   | -                                  | 625  | 630  | 640 |
| OSK10303-IRA(LRA) | High Luminance Red | RA | ■                    | -    | 2.1  | 2.5                 | 20                   | -    | 100  | -                                  | 620  | 625  | 630 |

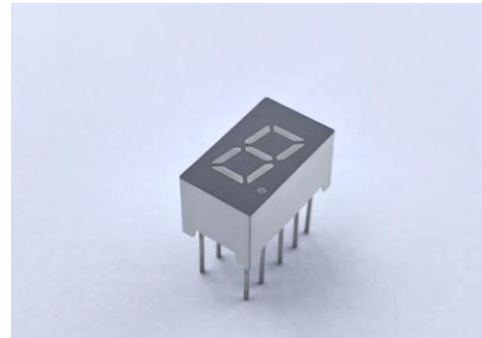
\*1 Tolerance of measurements of chromaticity coordinate is +10%

\*2 Tolerance of measurements of dominant wavelength is +1nm

\*3 Tolerance of measurements of luminous intensity is +15%

\*4 Tolerance of measurements of forward voltage is±0.1V

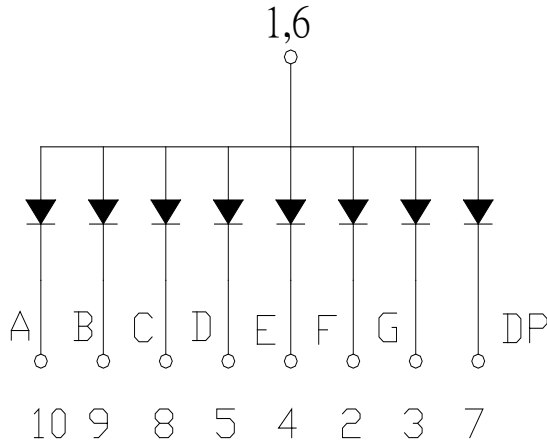
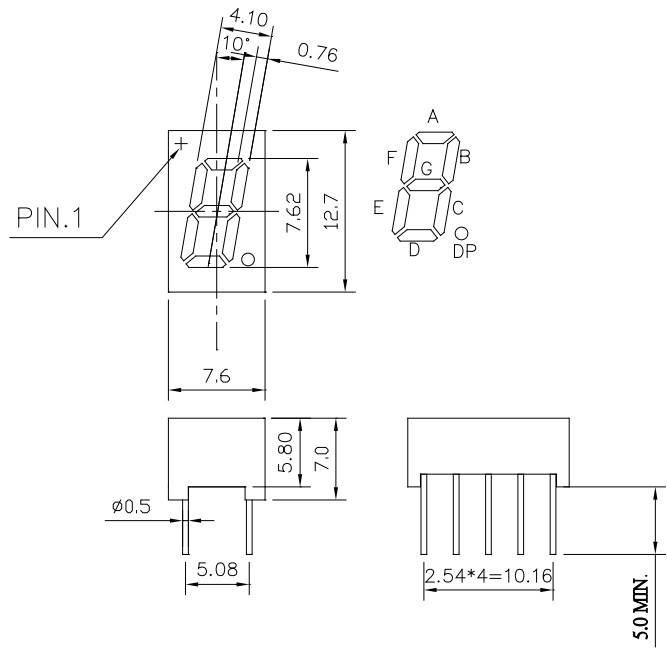
■ **Photo**



■ **Package Dimensions and Pin Function**

**OSK10303-IX  
(Common Anode type)**

Note:  
1, Unit : mm( Tolerance:±0.25mm unless otherwise noted)  
2, The slope angle of any PIN may be±5.0°Max



**OSK10303-LX  
(Common Cathode type)**

Note:  
1, Unit : mm( Tolerance:±0.25mm unless otherwise noted)  
2, The slope angle of any PIN may be±5.0°Max

