

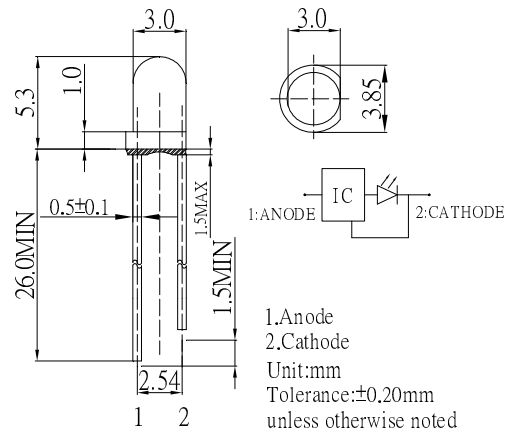
■Features

- High Luminous Flux
- 3mm Round Standard Directivity
- Flashing Type
- Superior UV Resistance
- Color Diffused / White Diffused
-

■Applications

- Electronic Signs And Signals
- Small Area Illuminations
- Back Lighting
- Other Lighting

■Outline Dimension

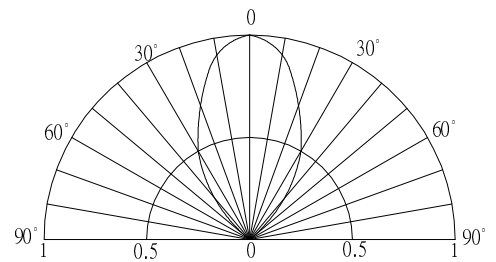


■Absolute Maximum Rating

(Ta=25°C)

| Item | Symbol | Value | Unit |
|----------------------------|---------|--------------------|------|
| | | W/M/B/TG /R/Y/YG/O | |
| Power Supply | Voltage | 5 | V |
| Duty Cycle | Duty | 1/2 | - |
| Operating Temperature | Topr | -30 ~ +85 | °C |
| Storage Temperature | Tstg | -40~ +100 | °C |
| Lead Soldering Temperature | Tsol | 260°C /5sec | - |

■Directivity



■Electrical -Optical Characteristics

(Ta=25°C)

| Part Number | Color | | VF (V)* | | | Iv(mcd)* | | | λD(nm)* | | | Fled (Hz)* | 2θ1/2(deg) |
|-------------|--------------|----|----------|------|------|----------|------|------|-----------------|------|------|------------|------------|
| | | | Min. | Typ. | Max. | Min. | Typ. | Max. | Min. | Typ. | Max. | Typ. | Typ |
| | | | IF =20mA | | | IF =20mA | | | | | | | |
| OSW5DS3162A | Cool White | W | 3.0 | 3.5 | 5.0 | 2180 | 3000 | - | CCT:8000-18000K | | | 1.8 | 60 |
| OSM5DS3162A | Warm White | M | 3.0 | 3.5 | 5.0 | 1560 | 2180 | - | CCT:2700-3200K | | | | |
| OSB5SS3164A | Blue | B | 3.0 | 3.5 | 5.0 | 330 | 500 | - | 465 | 470 | 475 | | |
| OSG5DS3164A | Pure Green | G | 3.0 | 3.5 | 5.0 | 2180 | 3000 | - | 520 | 525 | 530 | | |
| OSG8HS3164A | Yellow Green | YG | 3.0 | 3.5 | 5.0 | 68 | 100 | - | 565 | 570 | 575 | | |
| OSY5JS3164A | Yellow | Y | 3.0 | 3.5 | 5.0 | 220 | 330 | - | 585 | 590 | 595 | | |
| OSY5MS3164A | Yellow | Y | 3.0 | 3.5 | 5.0 | 1120 | 1560 | - | 585 | 590 | 595 | | |
| OSO5JS3164A | Orange | O | 3.0 | 3.5 | 5.0 | 330 | 500 | - | 600 | 605 | 610 | | |
| OSR5JS3164A | Red | R | 3.0 | 3.5 | 5.0 | 220 | 330 | - | 620 | 625 | 630 | | |
| OSR5MS3164A | Red | R | 3.0 | 3.5 | 5.0 | 1120 | 1560 | - | 620 | 625 | 630 | | |

*1 Tolerance of measurements of chromaticity coordinates is ±10%

*2 Tolerance of measurements of dominant wavelength is ±1nm

*3 Tolerance of measurements of luminous intensity is ±15%

*4 Tolerance of measurements of forward voltage is ±0.1V

*5 Tolerance of measurements of frequency is ±20%