

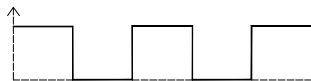
■ Description

This LED is Single Flashing LED. It takes turns flashing with 1.5Hz and the duty cycle is 1/2 when this LED is powered with DC3-5V

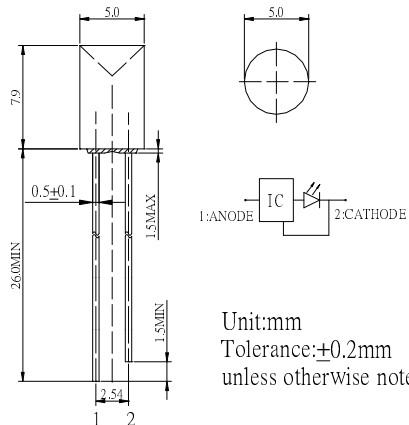
■ Features

- High Luminous LED
- UV Resistant Epoxy
- Water Clear Type
- Single Color Flashing Type

■ Flashing Waveform



■ Outline Dimension



■ Applications

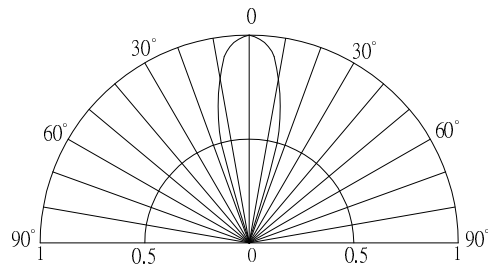
- Toys
- Games
- Audio / Other Lighting

■ Absolute Maximum Rating

(Ta=25°C)

Item	Symbol	Value	Unit
Power Supply	Voltage	5	V
Duty Cycle	Duty	1/2	-
Operating Temperature	Topr	-30 ~ +85	°C
Storage Temperature	Tstg	-40~ +100	°C
Lead Soldering Temperature	Tsol	260°C/5sec	-

■ Directivity



■ Electrical -Optical Characteristics (Ta=25°C)

Part Number	Color	VF (V)			Iv(mcd)*			λD(nm)/CCT(K)*			Fled (Hz)*	2θ1/2(deg)
		Min.	Typ.	Max.	Min.	Typ.	Max.	Min.	Typ.	Max.	Typ.	Typ
VF = 3.5V												
OSR5MF5MC1B	Red	3.0	3.5	5.0	220	330	-	620	625	630	1.5	120
OSY5MF5MC1B	Yellow	3.0	3.5	5.0	220	330	-	585	590	595		
OSB5SF5MC1B	Blue	3.0	3.5	5.0	150	220	-	462.5	467.5	472.5		
OSG5DF5MC1B	Pure Green	3.0	3.5	5.0	330	500	-	520	525	530		
OSW5DF5MC1B	Cool White	3.0	3.5	5.0	330	500	-	CCT:8000-18000K				
OSM5DF5MC1B	Warm White	3.0	3.5	5.0	330	500	-	CCT:2700-3300K				

*1 Tolerance of measurements of chromaticity coordinates is ±10%
 *2 Tolerance of measurements of dominant wavelength is ±1nm
 *3 Tolerance of measurements of luminous intensity is ±15%
 *4 Tolerance of measurements of forward voltage is ±0.1V
 *5 Tolerance of measurements of Frequency is ±20%