

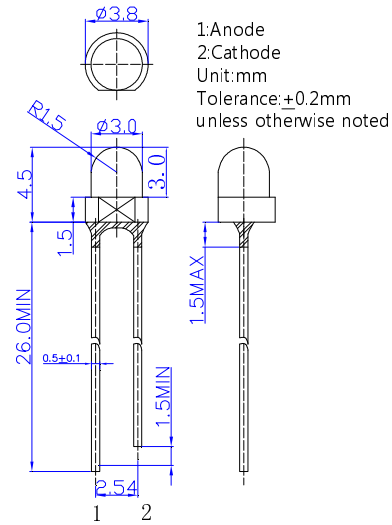
■ Features

- High Luminous LEDs
- 3mm Round Standard Directivity
- UV Resistant Epoxy
- Wide Viewing Angle
- Smooth Light Pattern
- Color Transparent Type

■ Applications

- Background illumination
- Communications equipment
- Low power DC circuits
- General lighting purposes

■ Outline Dimension

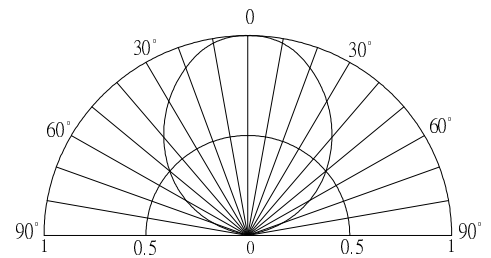


■ Absolute Maximum Rating

(Ta=25°C)

Item	Symbol	Value		Unit
		B/PG	YG/Y/O/R	
DC Forward Current	I _F	30	30	mA
Pulse Forward Current#	I _{FP}	100	100	mA
Reverse Voltage	V _R	5	5	V
Power Dissipation	P _D	102	78	mW
Operating Temperature	Topr	-30 ~ +85		°C
Storage Temperature	Tstg	-40 ~ +100		°C
Lead Soldering Temperature	Tsol	260°C/5sec		-

■ Directivity



#Pulse width Max.10ms Duty ratio max 1/10

■ Electrical -Optical Characteristics

(Ta=25°C)

Part Number	Color			V _F (V)*1			I _R (μA)	I _v (mcd)*2			λD (nm)*3/CCT (K)*4			θ1/2 (deg)	
				Min.	Typ.	Max.		Max.	Min.	Typ.	Max.	Min.	Typ.	Max.	Typ.
				I _F =20mA				V _R =5V	I _F =20mA						
OSB5SA3VA3A	Blue	B	■	-	2.9	3.4	10	330	500	-	465	470	475	100	
OSG5DA3VA3A	Pure Green	PG	■	-	2.9	3.4	10	1120	1560	-	520	525	530	100	
OSG8HA3VA3A	Yellow Green	YG	■	-	2.1	2.6	10	68	100	-	565	570	575	100	
OSY5JA3VA3A	Yellow	Y	■	-	2.1	2.6	10	100	150	-	585	590	595	100	
OSO5JA3VA3A	Orange	O	■	-	2.1	2.6	10	100	150	-	600	605	610	100	
OSR5JA3VA3A	Red	R	■	-	2.1	2.6	10	100	150	-	620	625	630	100	

*1 Tolerance of measurements of forward voltage is ±0.1V

*2 Tolerance of measurements of luminous intensity is ±15%

*3 Tolerance of measurements of dominant wavelength is ±1nm

*4 Tolerance of measurements of Color Temperature is ±10%

LED & Application Technologies

