

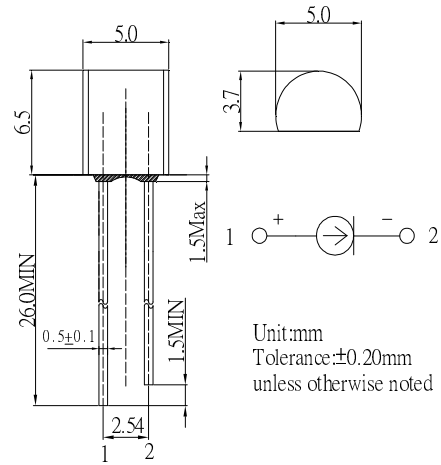
CURRENT REGULATIVE DIODE (CRD)

■ Outline Dimension

- CRD is a diode which supplies constant current to an electric circuit, when power supply voltage fluctuations or load impedance fluctuations occur.
- CRD is used for current stabilization and current limiting.
- CRD is offered on TO-92

■ Features

- Robust Power Package:460mW
- Wide Operating Voltage Range
- Immediate Turn-On
- Voltage Surge Suppressing – Protecting LEDs



■ Absolute Maximum Rating (Ta=25°C)

Item	Symb ol	Value	Unit
Input Voltage	V _F	24	V
Junction Temperature	T _j	125	°C
Storage Temperature	T _{stg}	-40~ +125	°C
Collector Dissipation	P _c	0.75*2	W

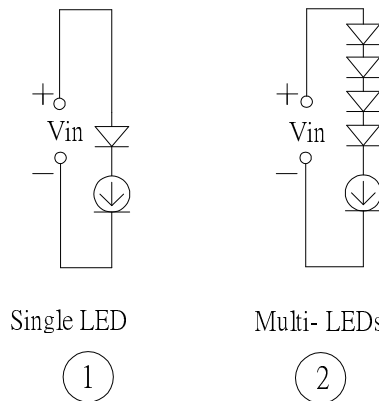
■ Electrical -Optical Characteristics (Ta=25°C)

Part Number	Lens Color	Constant Current(I _H)		Turn-on voltage(V _k)		Limiting ratio (K _c)	Withstand Voltage (V)
		I _H	Voltage(v)	V _k (V)	I _k (MA)	I _{30V} /I _{10V}	
OSCRDT118	Black Lens	16-19	10	≤3.5	≤0.8I _H	≤1.1	>70

■ Application

- Automobile: Chevron Side Mirror Markers, Cluster, Display & Instrument Backlighting, CHMSL, Map Light
- DC Lighting Panels, Display Signage, Decorative Lighting, Channel Lettering
- Switch Contact Wetting

■ Application Information



■ Basic characteristics

