

### ■ Features

- High Luminous PLCC2 Top SMD LEDs
- 3.5x2.8x1.7mm Standard Directivity
- UV Resistant Silicone
- Integral Current Limiting Resistor
- TTL Compatible (Requires No External Current Limiter With 5Volt Supply)
- Cost Effective (Saves Space and Resistor Cost)
- MSL: 5a

### ■ Applications

- Status Indicators
- Other Lighting

### ■ Absolute Maximum Rating

(Ta=25°C)

Item	Symbol	Value	Unit
DC Forward Voltage	V <sub>F</sub>	7.5	V
Reverse Voltage	V <sub>R</sub>	5	V
Power Dissipation	P <sub>D</sub>	150	mW
Operating Temperature	Topr	-30 ~ +85	°C
Storage Temperature	Tstg	-40~ +100	°C
Lead Soldering Temperature	Tsol	260°C/10sec	-

### ■ Electrical -Optical Characteristics

(Ta=25°C)

Part Number	Color			I <sub>F</sub> (mA)*			I <sub>v</sub> (mcd)*			λD(nm)*			2θ1/2(deg)
				Min	Typ.	Max.	Min.	Typ.	Max.	Min.	Typ.	Max.	Typ.
				V <sub>F</sub> =5V			V <sub>F</sub> =5V						
OSW5DLS1C1A-5V	White	W		-	12	20	750	1120	-	X=0.27, Y=0.28 (Typ.10000K)			120
OSM5DLS1C1A-5V	Warm White	M	■	-	12	20	750	1120	-	X=0.45, Y=0.41(Typ.3000K)			120
OSK5DLS1C1A-5V	Pink	K		-	12	20	150	220	-	X=0.45, Y=0.17			120
OSB5SAS1C1A-5V	Blue	B	■	-	12	20	150	220	-	465	470	475	120
OSG5DAS1C1A-5V	Pure Green	PG	■	-	12	20	750	1120	-	520	525	530	120
OSY5RUS1C1A-5V	Yellow	Y	■	-	12	20	68	100	-	585	590	595	120
OSO5JAS1C1A-5V	Orange	O	■	-	12	20	68	100	-	600	605	610	120
OSR5RUS1C1A-5V	Red	R	■	-	12	20	68	100	-	620	625	630	120

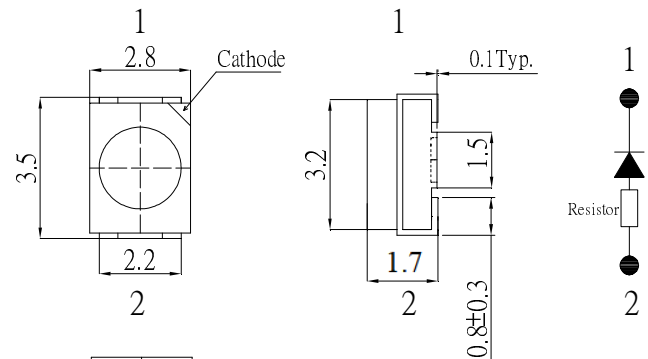
\*1 Tolerance of measurements of Domi. wavelength is ±1nm

\*2 Tolerance of measurements of chromaticity coordinates is ±10%

\*3 Tolerance of measurements of luminous intensity is ±15%

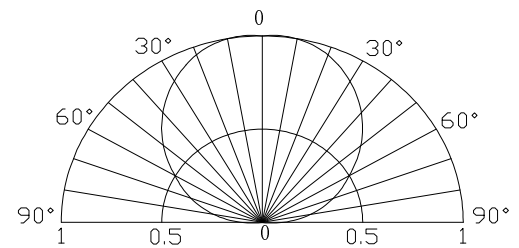
\*4 Tolerance of measurements of forward voltage is ±0.1V

### ■ Outline Dimension



Unit:mm  
Tolerance:±0.20mm  
unless otherwise noted

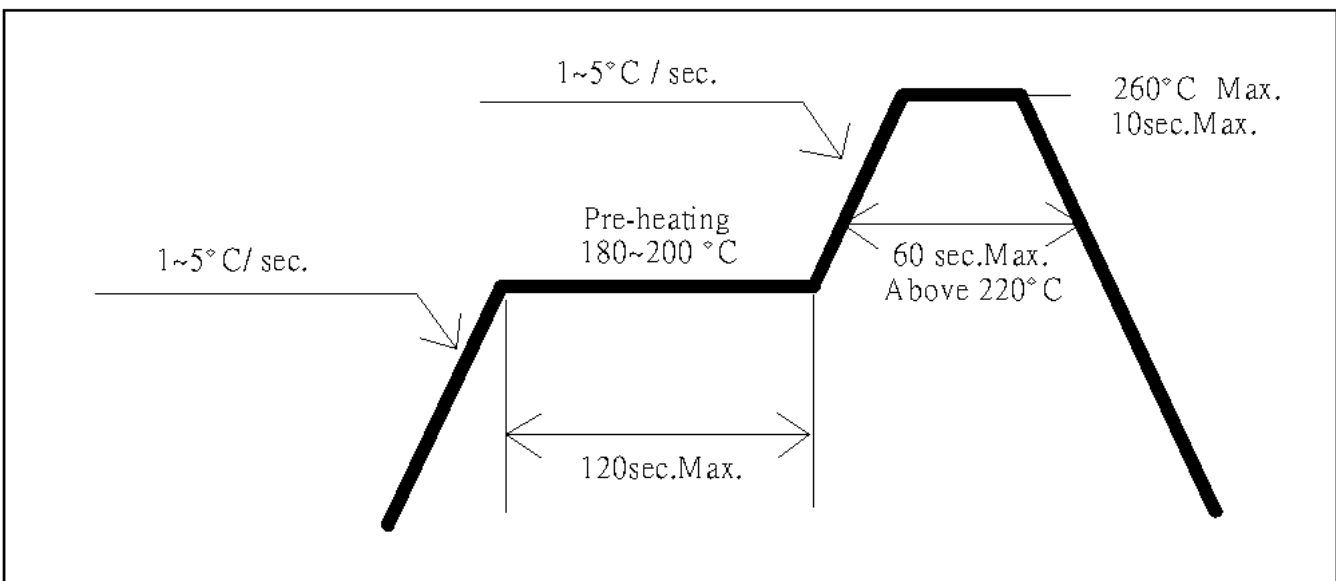
### ■ Directivity



■ Soldering Conditions

Reflow Soldering		Hand Soldering	
Pre-Heat	180 ~ 200°C	Temperature Soldering time	350°C Max. 3 sec. Max. (one time only)
Pre-Heat Time	120 sec. Max.		
Peak temperature	260°C Max.		
Dipping Time	<b>10 sec. Max.</b>		
Condition	Refer to Temperature-profile		

• Reflow Soldering Condition(Lead-free Solder)



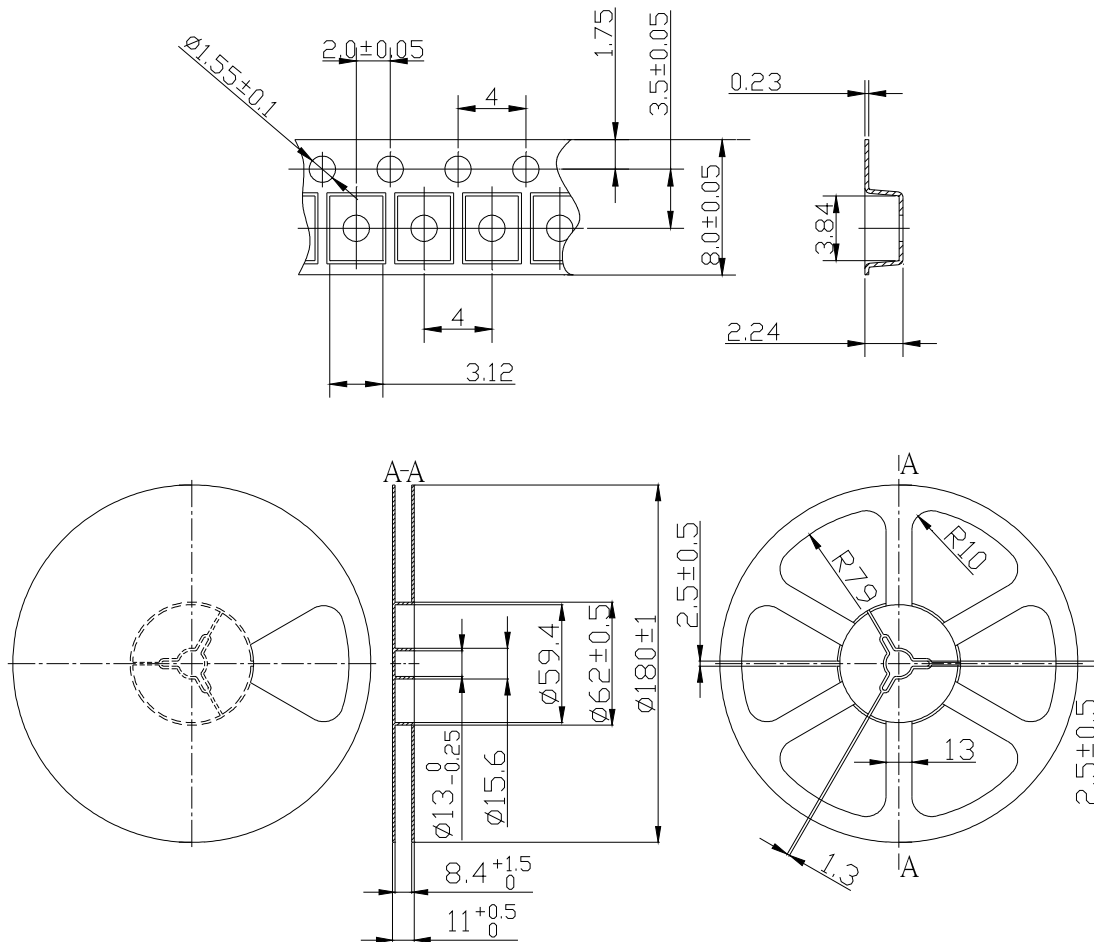
\*Recommended soldering conditions vary according to the type of LED

\*Although the recommended soldering conditions are specified in the above table, reflow, or hand soldering at the lowest possible temperature is desirable for the LEDs.

\*A rapid-rate process is not recommended for cooling the LEDs down from the peak temperature.

- All SMD LED products are pb-free soldering available.
- Occasionally there is a brightness decrease caused by the influence of heat or ambient atmosphere during air reflow. It is recommended that the User use the nitrogen reflow method.
- Repairing should not be done after the LEDs have been soldered. When repairing is unavoidable a double-head soldering iron should be used. It should be confirmed beforehand whether the characteristics of the LEDs will or will not be damaged by repairing.
- Reflow soldering should not be done more than two times.
- When soldering, do not put stress on the LEDs during heating.
- After soldering, do not warp the circuit board.

**PACKING DIMENTIONS**



**Notes:**

1. Unit: mm
2. 2000pcs/Reel

## Precautions in Use for Surface Mount Diode

### ■ Storage

#### · Storage Conditions

Before opening the package:

The LEDs should be kept at 30°C or less and 60%RH or less. The LEDs should be used within a year. When storing the LEDs, moisture proof packaging with absorbent material (silica gel) is recommended.

#### · After opening the package:

Soldering should be done right after opening the package (within 24hrs).

Keeping of a fraction, sealing and Temperature: 5~30°C Humidity: Less than 30%.

If the package has been opened more than 24 Hours, components should be dried for 12hrs, at 60±5°C.

· Optosupply LED electrode sections are comprised of a silver plated copper alloy. The silver surface may be affected by environments which contain corrosive gases and so on. Please avoid conditions which may cause the LED to corrode, tarnish or discolor. This corrosion or discoloration may cause difficulty during soldering operations. It is recommended that the User use the LEDs as soon as possible.

· Please avoid rapid transitions in ambient temperature, especially in high humidity environments where condensation can occur.