

1

2

3

4

5

6

7

FOR
客户名称APPROVED
客户确认签字ATTN
销售负责人

A

B

C

D

E

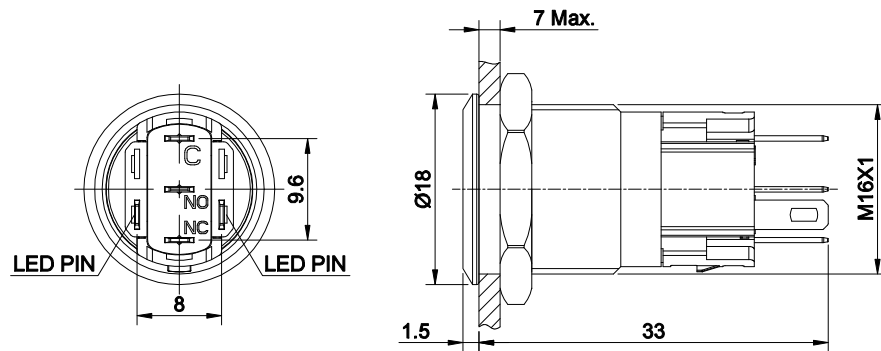
A

B

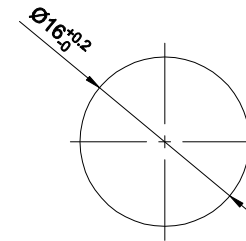
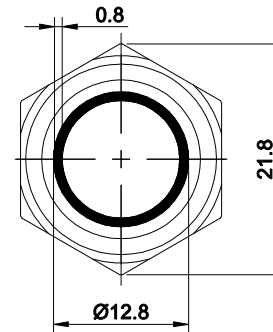
C

D

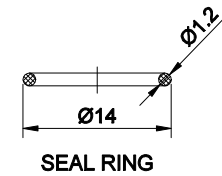
E



THE SHADED PART IS ILLUMINATED

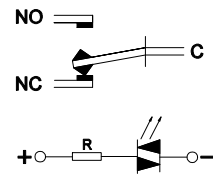


PANEL CUTOUT



SEAL RING

SCHEMATIC



PART NUMBER: ONPOW6116F-11 ■ E/△/▲/S

"■"	OPERATION MODE
NO LETTER	MOMENTARY
Z	LATCHING

"△"	LAMP COLOR
R	RED
G	GREEN
Y	YELLOW
B	BLUE
W	WHITE

"▲"	LAMP VOLTAGE
6V	AC/DC 6V
12V	AC/DC 12V
24V	AC/DC 24V
110V	AC/DC 110V
220V	AC/DC 220V

OTHER VOLTAGE CAN BE
MADE TO ORDER

SPECIFICATIONS:

- SWITCH RATING: AC220V/0.5A.
- MECHANICAL LIFE: $\geq 1,000,000$ cycles.
- ELECTRICAL LIFE: $\geq 50,000$ cycles.
- CONTACT RESISTANCE: $\leq 50\text{m}\Omega$.
- INSULATION RESISTANCE: $\geq 100\text{M}\Omega$ (500VDC).
- DIELECTRIC STRENGTH: 1,500V, RMS 50HZ, 1min.
- OPERATING TEMPERATURE: $-25^{\circ}\text{C} \sim +55^{\circ}\text{C}$ (NO FREEZING).
- OPERATING FORCE: ABOUT 2.5N.
- OPERATING TRAVEL: ABOUT 3mm.
- TORQUE: ABOUT 0.6Nm MAX.APPLIED TO NUT.
- IP CLASS: IP40(IP65 CAN MADE TO ORDER), IK07.
- TERMINAL TYPE: PIN TERMINAL(2.8 X 0.5mm).
- GENERAL TOLERANCE: 0-18mm= ± 0.25 , 18-80mm= ± 0.52 .

MATERIALS:

- CONTACT: SILVER ALLOY.
- BUTTON: STAINLESS STEEL.
- BODY: STAINLESS STEEL.
- BASE: PA.

BRAND 品牌

ONPOW 欧宝龙®

红波按钮制造有限公司

ONPOW PUSH BUTTON MANUFACTURE CO.,LTD.

TITLE 名称	ONPOW61 SERIES ANTI-VANDAL PUSH BUTTON		UNIT 单位	mm	
DWG NO. 图号	ONPOW6116F-E	SCALE 比例	1.4 : 1	SIZE 图纸	A4
FILE NAME 档案名称	ONPOW6116-E .DWG	DRAWN 制图	YDY 2022/06/25	SHEET 张	1/1
		REV. 更改			1

1

2

3

4

5

6

7