

5mm LED Series

Item No.: OKLEDT5100W6



■Description

- 100pcs standard 5mm LED are supplied in a storage box
- Easy to use and storage
- Widely applied to DIY projects, school science experiments, car decorations, etc.

■Features

- 5mm round standard 30° directivity
- UV resistant epoxy
- Pure white color
- Water clear

■Absolute Maximum Rating (Ta=25°C)

Item	Symbol	Value	Unit
		Pure White	
DC Forward Current	I _F	30	mA
Pulse Forward Current#	I _{FP}	100	V
Reverse Voltage	V _R	5	mW
Power Dissipation	P _D	102	°C
Operating Temperature	T _{opr}	-30 ~ +85	°C
Storage Temperature	T _{stg}	-40~ +100	-
Lead Soldering Temperature	T _{sol}	260°C/5sec	Unit

#Pulse width Max.10ms Duty ratio max 1/10

■Electrical -Optical Characteristics (Ta=25°C)

5mm LED	
LED P/N	OSW45131A
Light Color	Pure White
Lens Color	Water Clear
Color Temperature*1	5500-8500K
Luminous Intensity(typ.)*2	19000mcd
Forward Voltage*3	2.7-3.4V
Forward Current	20mA
Viewing Angle(typ.)	30°
Quantity(pcs)/Box	100

*1 Tolerance of measurements of color temperature is $\pm 10\%$

*2 Tolerance of measurements of luminous intensity is $\pm 15\%$

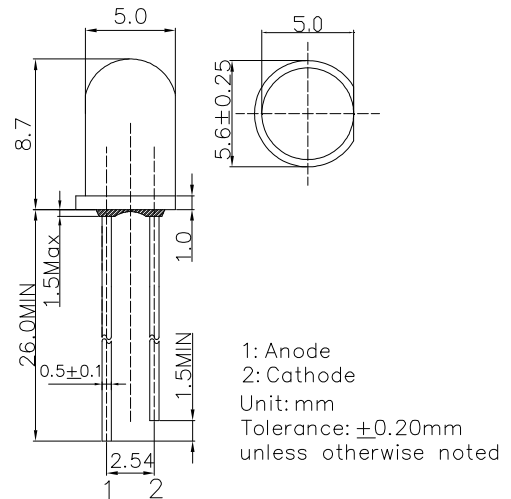
*3 Tolerance of measurements of forward voltage is $\pm 0.1V$

■Product Picture

100pcs/Box (Dimensions: 90*65*30mm)



■Outline Dimension



■Directivity

