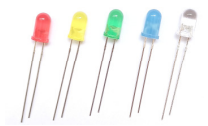


5mm LED KIT

Item No.: OKLEDT51005A

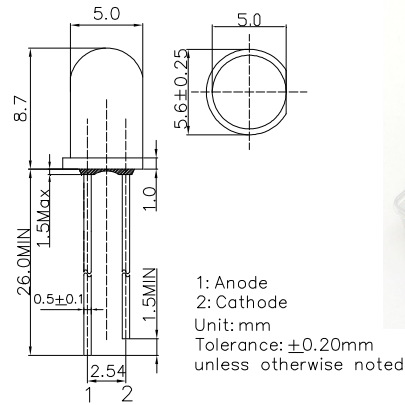


■Description

- 100pcs standard 5mm LED are supplied in a storage box
- Easy to use and storage
- Widely applied to DIY projects, school science experiments, car decorations, etc.

■Outline Dimension

100pcs/Box (Dimensions: 90*6.5*30mm)



■Features

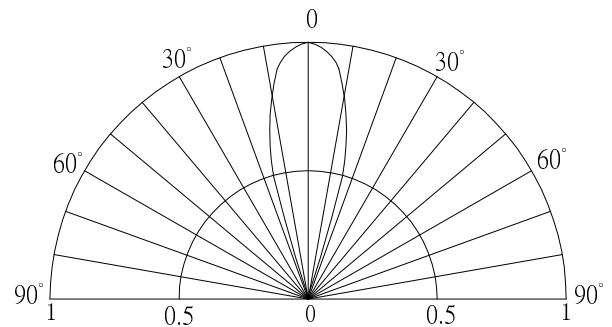
- 5mm round standard 30° directivity
- UV resistant epoxy
- Red/Yellow/Yellow Green/Blue/Warm White
- Color diffused/Water clear

■Absolute Maximum Rating (Ta=25°C)

Item	Symbol	Value		Unit
		B/M	R/Y/YG	
DC Forward Current	I _F	30	30	mA
Pulse Forward Current#	I _{FP}	100	100	mA
Reverse Voltage	V _R	5	5	V
Power Dissipation	P _D	102	72	mW
Operating Temperature	T _{opr}	-30 ~ +85		°C
Storage Temperature	T _{stg}	-40~ +100		°C
Lead Soldering Temperature	T _{sol}	260°C/5sec		-

#Pulse width Max.10ms Duty ratio max 1/10

■Directivity



■Electrical -Optical Characteristics (Ta=25°C)

5mm LED	Red	Yellow	Yellow Green	Blue	Warm White
LED P/N	OSR65134A	OSY55134A	OSG85134A	OSB55134A	OSM55131A
Light Color	Red	Yellow	Yellow Green	Blue	Warm White
Lens Color	Red Diffused	Yellow Diffused	Green Diffused	Blue Diffused	Water Clear
Wavelength*1/Color Temperature*2	620-640nm	585-595nm	565-575nm	462.5-472.5nm	2700-3300K
Luminous Intensity(typ.)*3	420mcd	420mcd	90mcd	2180mcd	19000mcd
Forward Voltage*4	1.8-2.4V	1.8-2.4V	1.8-2.4V	2.7-3.4V	2.7-3.4V
Forward Current	20mA	20mA	20mA	20mA	20mA
Viewing Angle(typ.)	30°	30°	30°	30°	30°
Quantity(pcs)/Box	20	20	20	20	20

*1 Tolerance of measurements of dominant wavelength is ±1nm

*2 Tolerance of measurements of color temperature is ±10%

*3 Tolerance of measurements of luminous intensity is ±15%

*4 Tolerance of measurements of forward voltage is ±0.1V