

■ Description

- LED Kit contains LEDs, resistors and mounting clips
- 130pcs are supplied in a storage box
- Easy to use and storage
- Widely applied to DIY projects, school science experiments, car decorations, etc.

■ Features

- 5mm round standard 30° directivity
- UV resistant epoxy
- Red/Yellow/Yellow Green/Blue/Warm White/Cool White
- Color diffused/Water clear
- Resistors are used to limit current flow
- Single part clips for mounting

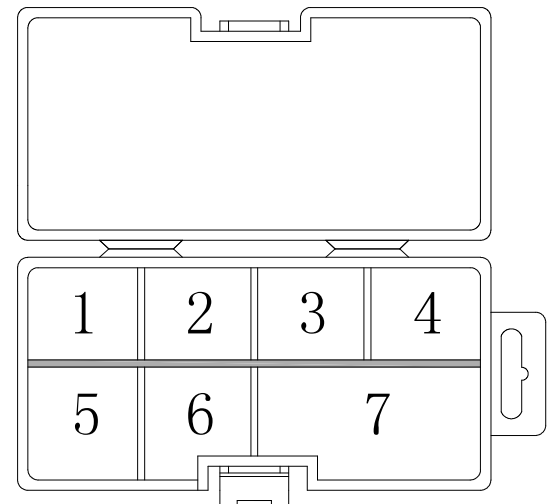
■ Product Picture

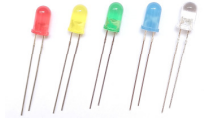
130pcs/Box (Dimensions: 137*68*28mm)



■ Kit Contents

Section	Contents	Pcs	P/N	Spec
1	5mm LED, Red	10	OSR65134A	Page 2
2	5mm LED, Yellow	10	OSY55134A	
3	5mm LED, Blue	10	OSB55134A	
4	5mm LED, Yellow Green	10	OSG85134A	
5	5mm LED, Warm White	10	OSM55131A	
6	5mm LED, Cool White	10	OSW55131A	
7	5mm LED Mounting Clip	10		Page 3
	220Ω Carbon Film Resistor, 0.25W±0.5%	15		Page 4
	470Ω Carbon Film Resistor, 0.25W±0.5%	15		
	680Ω Carbon Film Resistor, 0.25W±0.5%	15		
1000Ω Carbon Film Resistor, 0.25W±0.5%	15			





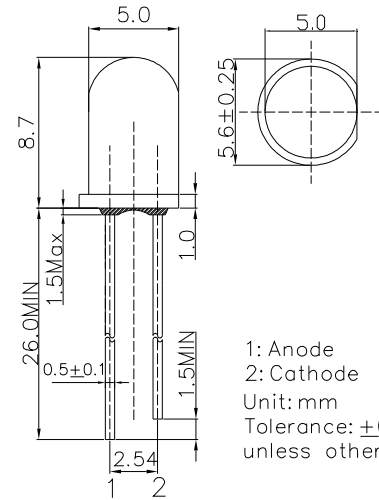
■Description

- 5mm round standard 30° directivity
- UV resistant epoxy
- Available in all colors
- Color diffused/Water clear

■Applications

- General purpose indicators
- Small area illuminations
- Christmas light
- Backlighting

■Outline Dimension



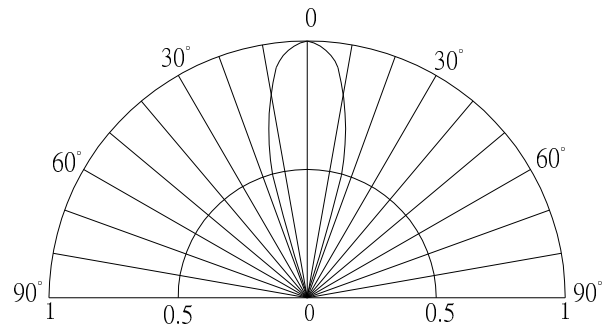
1: Anode
2: Cathode
Unit: mm
Tolerance: ±0.20mm
unless otherwise noted

■Absolute Maximum Rating (Ta=25°C)

Item	Symbol	Value		Unit
		B/M/W	R/Y/YG	
DC Forward Current	I _F	30	30	mA
Pulse Forward Current#	I _{FP}	100	100	mA
Reverse Voltage	V _R	5	5	V
Power Dissipation	P _D	102	72	mW
Operating Temperature	T _{opr}	-30 ~ +85		°C
Storage Temperature	T _{stg}	-40 ~ +100		°C
Lead Soldering Temperature	T _{sol}	260°C/5sec		-

#Pulse width Max.10ms Duty ratio max 1/10

■Directivity



■Electrical -Optical Characteristics (Ta=25°C)

5mm LED	OSR65134A	OSY55134A	OSG85134A	OSB55134A	OSM55131A	OSW55131A
LED P/N	OSR65134A	OSY55134A	OSG85134A	OSB55134A	OSM55131A	OSW55131A
Light Color	Red	Yellow	Yellow Green	Blue	Warm White	Cool White
Lens Color	Red Diffused	Yellow Diffused	Green Diffused	Blue Diffused	Water Clear	Water Clear
Wavelength*1/Color Temperature*2	620-640nm	585-595nm	565-575nm	462.5-472.5nm	2700-3300K	8500-18000K
Luminous Intensity(typ.)*3	420mcd	420mcd	90mcd	2180mcd	19000mcd	19000mcd
Forward Voltage*4	1.8-2.4V	1.8-2.4V	1.8-2.4V	2.7-3.4V	2.7-3.4V	2.7-3.4V
Forward Current	20mA	20mA	20mA	20mA	20mA	20mA
Viewing Angle(typ.)	30°	30°	30°	30°	30°	30°
Quantity(pcs)/Box	10	10	10	10	10	10

*1 Tolerance of measurements of dominant wavelength is ±1nm
 *2 Tolerance of measurements of color temperature is ±10%
 *3 Tolerance of measurements of luminous intensity is ±15%
 *4 Tolerance of measurements of forward voltage is ±0.1V

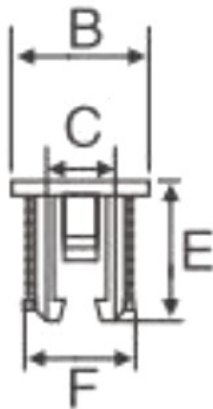
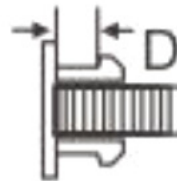
LED Mounting Clip

Material	NYLON66
Color	Black
Fireproofing Grade	94V-2
Tolerance	±0.2mm

■Product Information & Outline Dimension:

Item	A	B	C	D	E	F
3mm LED Mounting Clip	Φ4.5	Φ6.0	Φ3.1	1.4	6.0	Φ4.4
5mm LED Mounting Clip	Φ6.4	Φ7.8	Φ5.1	1.5	7.5	Φ6.0

Unit: mm



Drilling machine plate

■ Specifications

Power Rating	Maximum Working Voltage	Maximum Overload Voltage	Dimension (mm)					Resistance Range
			A	B	C	D	E	
1/4W	250V	500V	45±3	19.5±3	6.0±1	0.35±0.1	2.3±0.3	0.1E-22M

■ Color Coding

Color	1 st digit	2 nd digit	Multiplier	Tolerance
Black	0	0	1Ω	
Silver			0.01Ω	±10%
Golden			0.1Ω	±5%
Brown	1	1	10Ω	±1%
Red	2	2	100Ω	±2%
Orange	3	3	1KΩ	
Yellow	4	4	10KΩ	
Green	5	5	100KΩ	±0.5%
Blue	6	6	1MΩ	±0.25%
Violet	7	7	10MΩ	±0.1%
Gray	8	8		
White	9	9		

