



Door coupling rotary handle red-yellow



Powering Business Worldwide™

Part no. NZM1-XTVDVR
Article no. 260178

Delivery programme

Function			Red-yellow for emergency switching off
Protection class			IP66 UL/CSA Type 4X, Type 12
Locking facility			lockable on the handle on the switch using up to 3 padlocks lockable in 0 position on handle lockable on the 0 position on the switch using up to 3 padlocks With door interlock
Door interlock			Not defeated in the locked OFF position. Can be modified in the unlocked ON position Can be modified such that it can be defeated from the outside using a screwdriver Door can be opened in OFF
Project planning information			External warning plate/designation label can be clipped on. Complete including rotary drive and coupling parts
For use with			NZM1(-4), PN1(-4), N(S)1(-4)
lockable			double
Notes			
Circuit-breaker can also be installed in a lying position 90 ° left/right, with the handle still in the same position.			

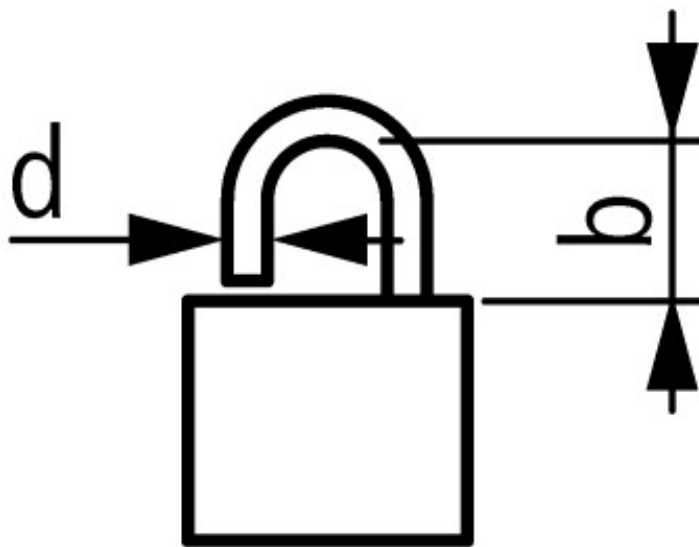
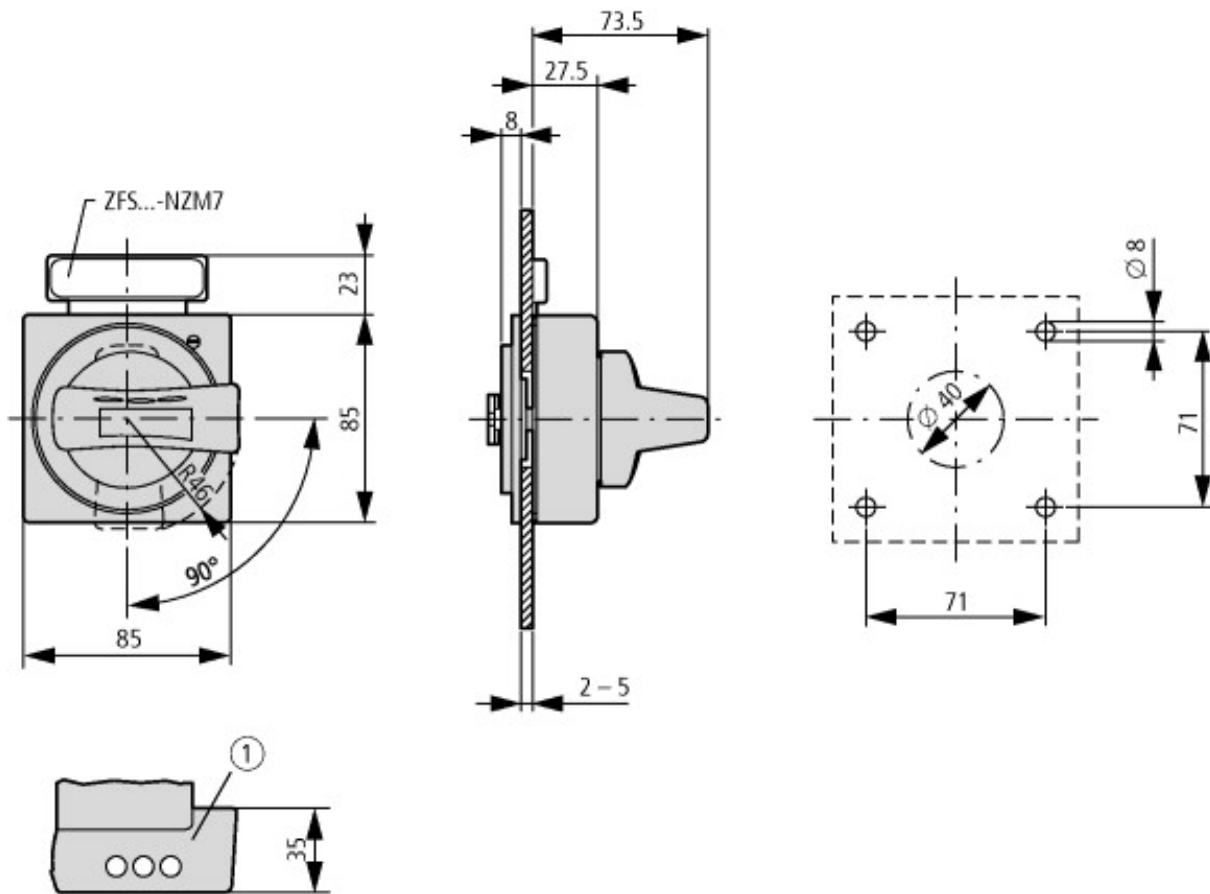
Approvals

Product Standards	UL489; CSA-C22.2 No. 5-09; IEC60947, CE marking
UL File No.	E140305
UL Category Control No.	DIHS
CSA File No.	022086
CSA Class No.	1437-01
North America Certification	UL listed, CSA certified
Degree of Protection	IEC: IP66, UL/CSA Type 4X, 12

Technical data ETIM 4.0

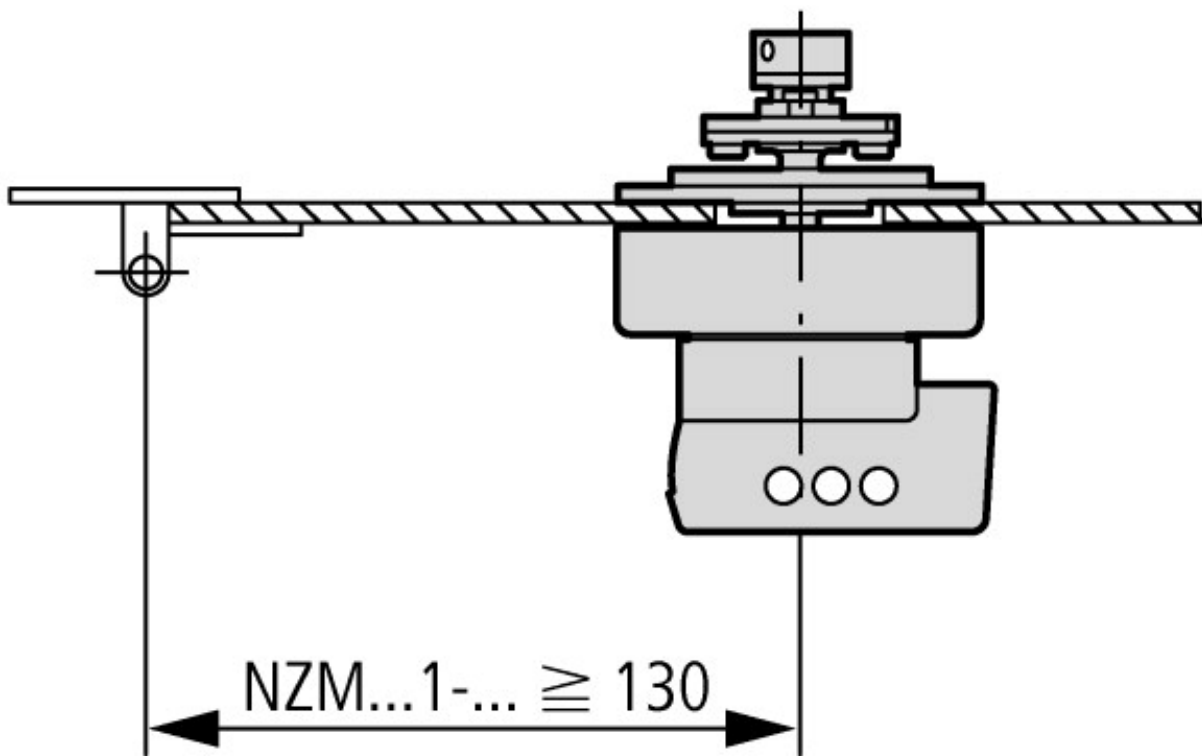
Lockable			Yes
Colour			Red
Suitable for emergency stop			Yes
With axe			No
Suitable for power circuit breaker			Yes
Suitable for switch disconnecter			Yes

Dimensions



$$d = 4 - 8$$

$$b \geq 34$$



Minimum door coupling rotary handle clearance from door pivot point

Additional product information (links)

IL01203005Z (AWA1230-1998) Door coupling rotary handle

IL01203005Z (AWA1230-1998) Door coupling rotary handle

ftp://ftp.moeller.net/DOCUMENTATION/AWA_INSTRUCTIONS/IL01203005Z2010_11.pdf