



NEVADA-3W v.2

Professional Led Modules; **8-20CM** 3D letters, lightboxes



■ Features:

- luminous efficacy 100 lm/W
- for indoor and outdoor use
- 20 pcs in chain



UK
CA

CE

TECHNICAL DETAILS



MODEL	NEVADA-3W v.2
Supply voltage	12V DC
Power consumption per module	1.2W
Chain power consumption	24W
Current consumption per module	100mA
LED diodes	EPISTAR-2835
Quantity of LEDs	3
Light color	White (~6500K)
Luminous flux	120lm (W)
Luminous flux density	100lm (W)
Color rendering index - CRI	≥80
Beam angle	160°
Current stabilization	No
Dimming	Yes
Module dimensions (L x W x H)	61 x 12 x 5mm
Cable length	70mm
Number of modules in 1m	7.7
BOX weight	17kg
Packing	Chain – 20pcs / Bag – 100pcs / Box – 2600pcs
Montage	Adhesive tape / mounting screw
Lifetime	L70B50 > 50000h
Working temperature	-25°C ÷ 55°C
IP protection	IP67
Warranty	4 years

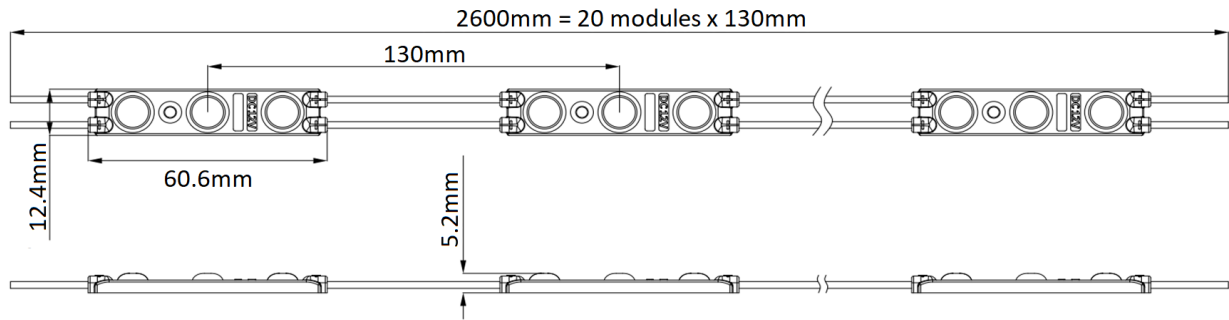


NEVADA-3W v.2

Professional Led Modules; 8-20CM 3D letters, lightboxes



Dimensions



Connection diagram

One-side power input:



Maximum number of modules 20 pcs

Two-side power input:

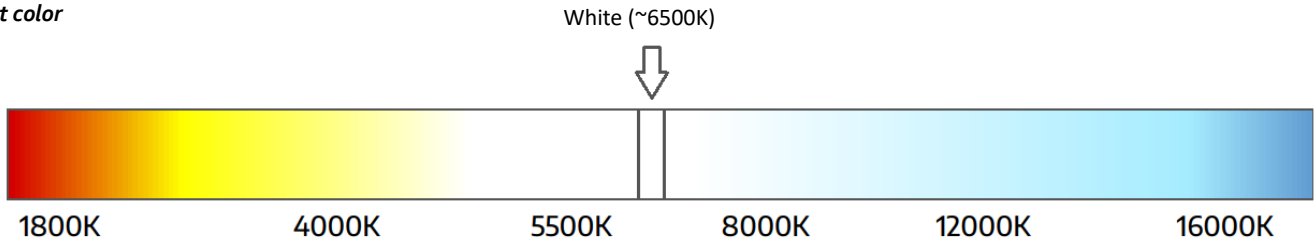


Maximum number of modules 40 pcs

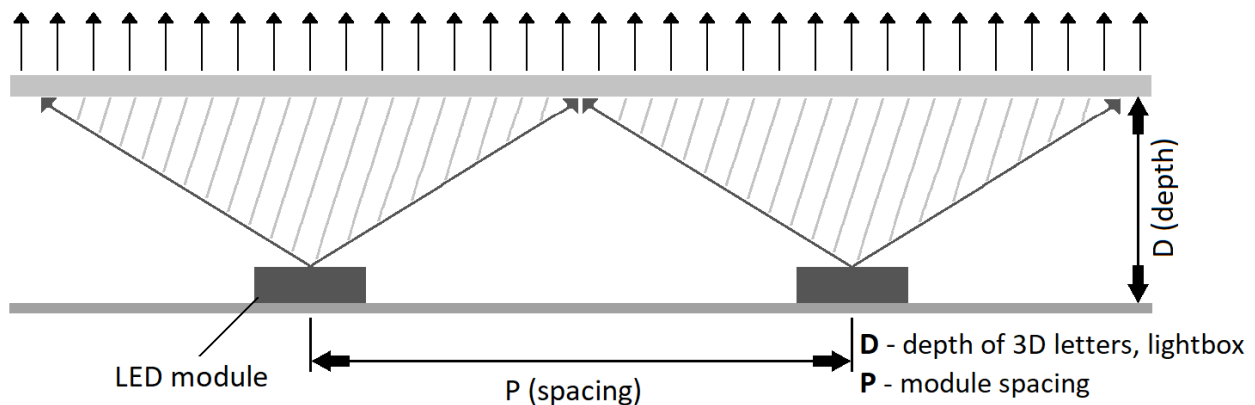
It is acceptable to connect multiple chains in parallel, as long as the power supply provides sufficient power

Light color / CCT

Light color



Application



$$\text{optical performance proportion} = \frac{D}{P} = 1 : 1.5$$

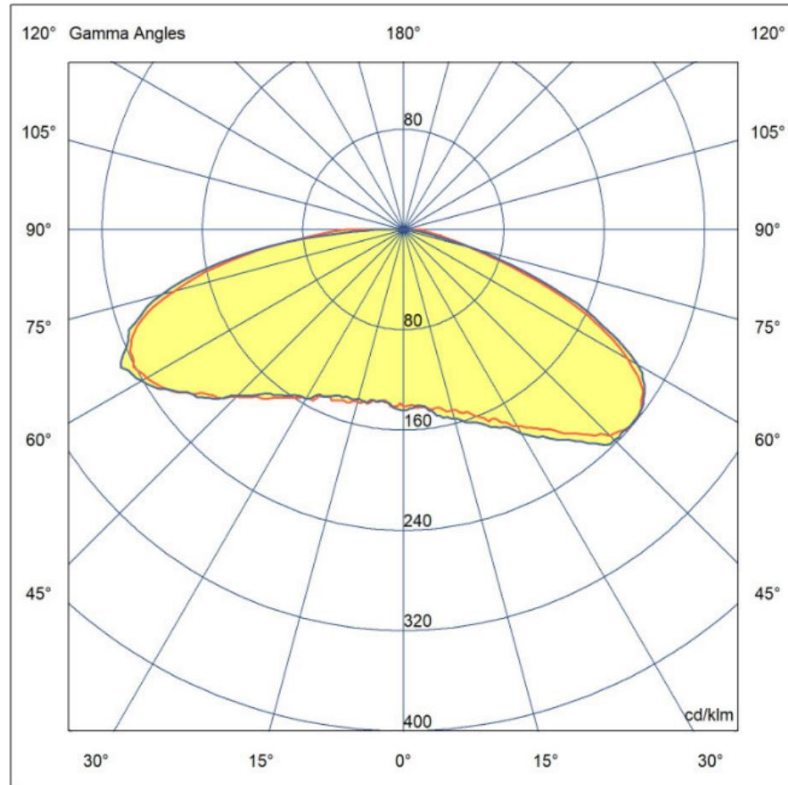


NEVADA-3W v.2

Professional Led Modules; **8-20CM** 3D letters, lightboxes



Beam angle



Energy label

ENERGY
MW LIGHTING
NEVADA-3W v.2

A
B
C
D
E
F
G

2 kWh/1000h

2019/2015

The energy label features the EU flag and the ENERGY logo. It shows a scale of energy efficiency classes from A (green) to G (red). Class F is highlighted with a black arrow pointing to the right. The energy consumption is 2 kWh/1000h. A QR code and the date 2019/2015 are also present.