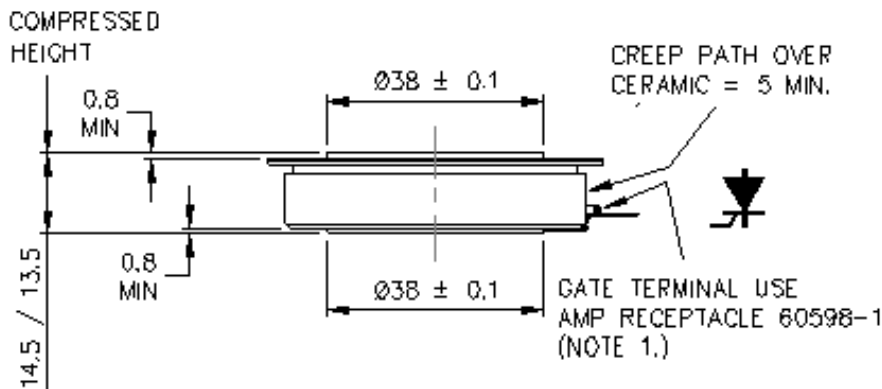
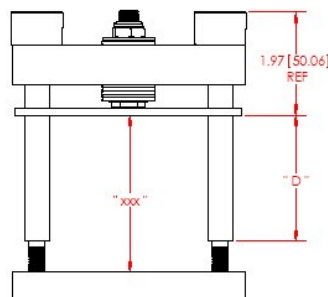
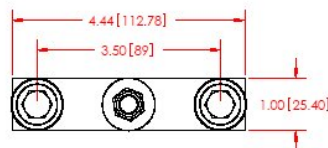


Weight 200g



Device family	Clamp part number	Clamp force	T _{JMAX}	Maximum allowed height	Outline
		kgf	°C	mm	
Phase Control Thyristor (N) QK Housing	XSK2000DA076038	1300-2000	190	38	WC52
	XSK2000DA076076			76	
	XSK2000DA076101			101	



Notes:

1. DIMENSIONS IN INCHES [MILLIMETERS].
2. "Z" DIMENSION CAN BE CHANGED AS PER REQUIREMENT.
3. "D" DIMENSION CAN BE CHANGED AS PER REQUIREMENT.

WC52