



## Silicon LED Neon strip 13\*13mm



2 Years Warranty . . . . .

### Product Description

Top view static single color LED Neon flex strip

Uniform Light distribution, no light spots

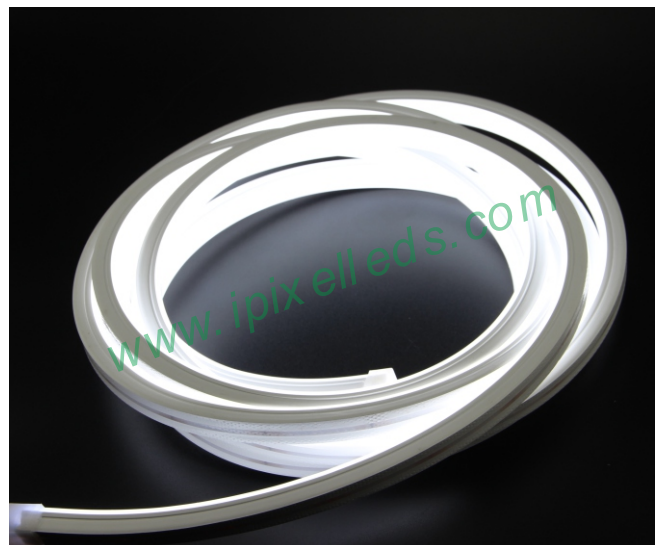
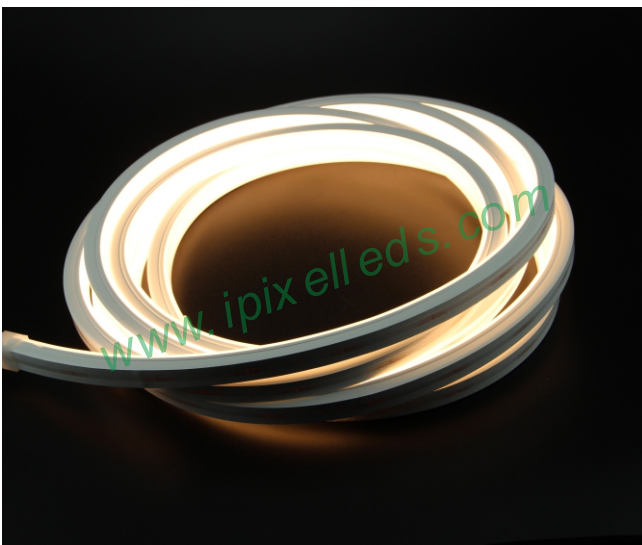
Dual-color silicone extrusion process, cutting marks are clearly visible

Minimum cutting unit: every 50mm, waterproof IP65

Constant voltage, high efficiency SMD LED chip

Fire resistance, Anti - UV, Anti - Corrosion and deformation resistance

Minimum bending diameter is 100mm

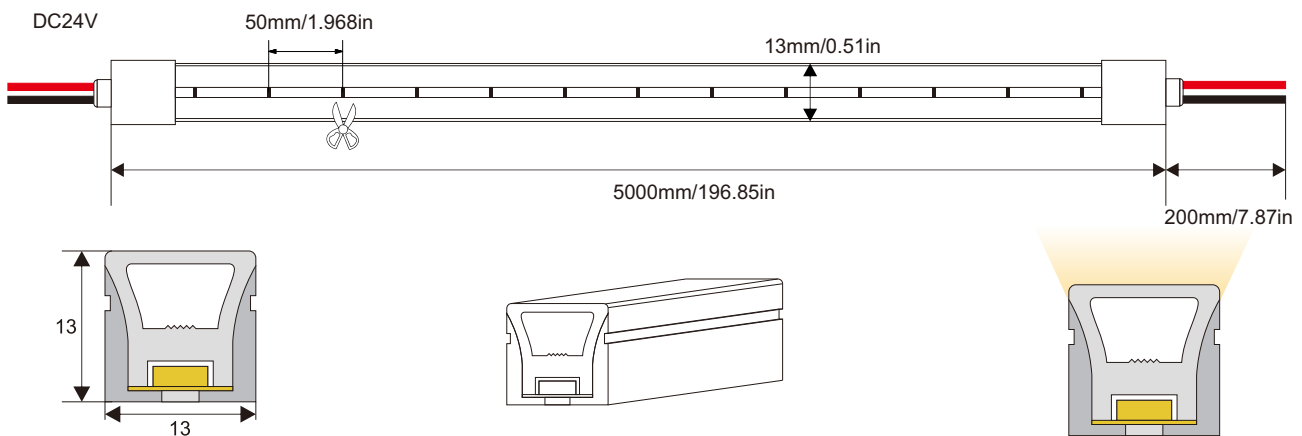




## Product Datasheet

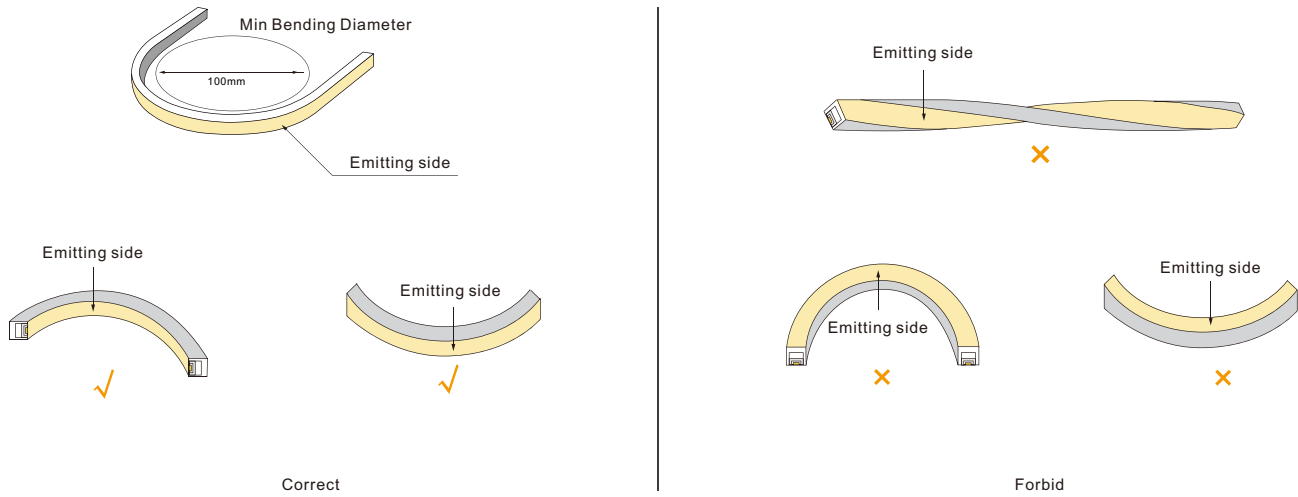
P/N	N013120BC1LZ	
Color Temperature	R/G/B/3000K/4000K/6000K	
Dimension	L: 5000 * W: 13 * H:13 MM	
Material	Silicon	
LED Type	SMD 2835 - 120LEDs/m	
Lumens/m	720 lm/m	760 lm/m
CRI	85RA	
Operating Voltage	DC24V	
Wattage / Meter	10W/M	
IP Level	IP65	
Operation Temperature	-25°C ~ 60°C	
Net Weight	0.75kg/roll (5m)	
Cutting unit	50MM	

## Outline Dimension (MM)





## Correct bending way



## Connection

