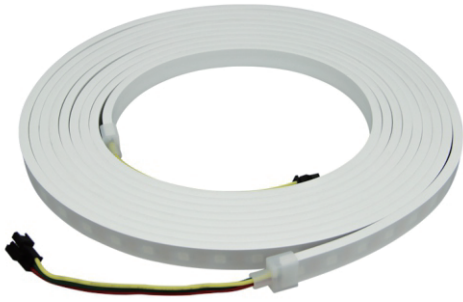


13x5mm top view led neon strip DC5V



◆ Product Description :

This neon strip is top view with a translucent silicone rubber as a diffuser, It is designed to be bent up to down with light projecting upwards.

This silicone rubber is anti-UV, anti-aging, anti-yellowing, environmental protection, non-toxic, and very soft. Using built-in IC to highlight 5050RGB SMD LEDs, long life, lighting control light bar, The color is rich, and a variety of color changing effects can be achieved through the controller.

Standard length is 5M/roll, length can be customized, there are cutting marks on the side.

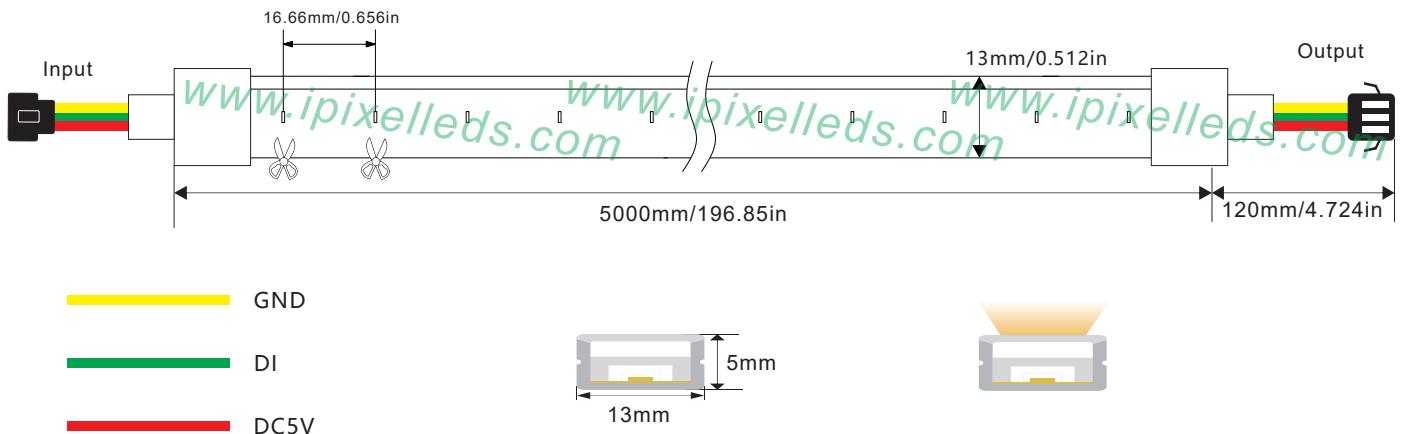
IP65 waterproof for outdoor use

Each roll includes 10pcs PC clips for installation (2pcs/m)

◆ Product Datasheet

Product Number	N013060CA3SA1	Lumens/M	R: 251 G: 686 B: 140lm
Operating Voltage	DC5V	Ra	/
Power/M	13W/M	Beam Angle	120°
SMD Type	SMD 5050	Size (mm)	5000x13x5mm
LED Qty/M	60	IP Rate	IP65
Color	RGB	Operation Temperature	- 25 ~ 60 °C
Pixel/M	60	Material	Silicone
Control	SPI	Cutting Length	16.66mm
Wavelength	R:620-625 G:520-525 B:460-465nm	Net Weight/Roll	0.376/Kg

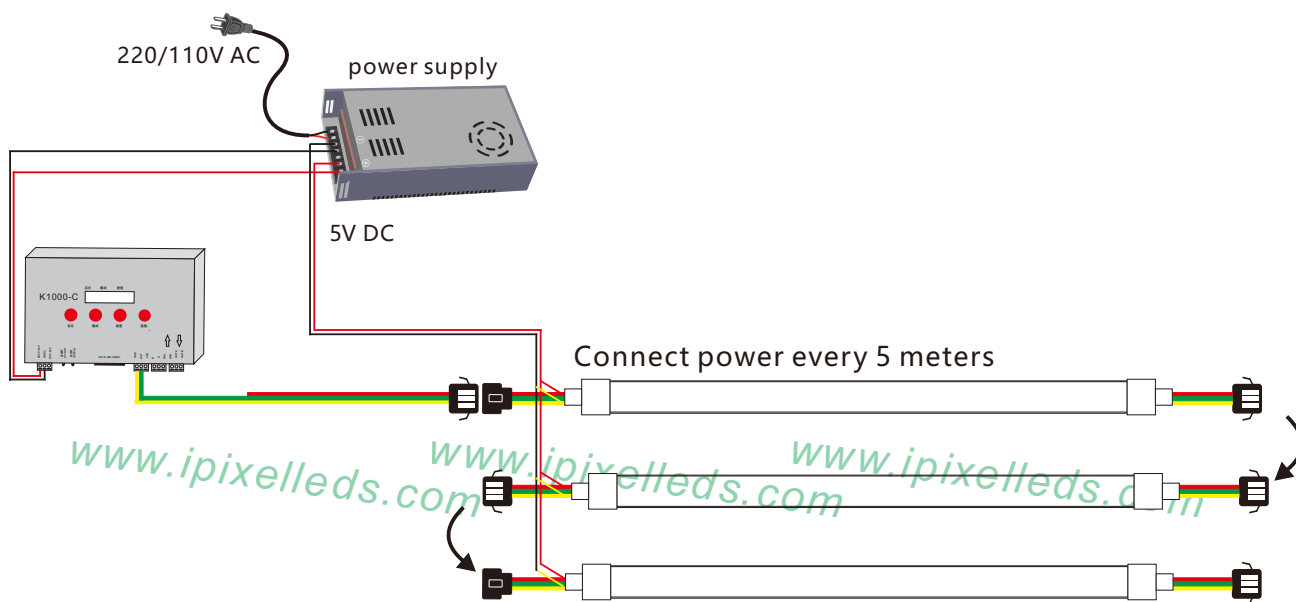
◆ Outline Dimension (unit: mm)







◆ Order number

DC5V	RGB	White PCB	IP20	N013060CA3SA1/C1
DC5V	RGB	White PCB	IP65	N013060CA3SA1/C2

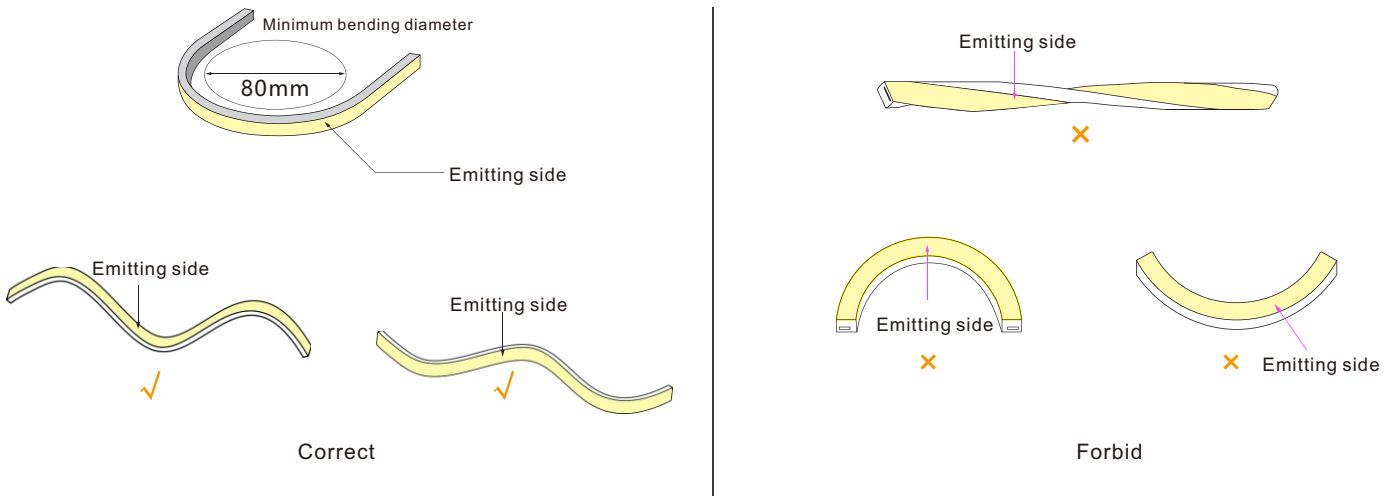
◆ Wiring diagram



◆ Accessories

Name	PC clip	Remarks	The front cover	End cap
Picture				
Remarks	25x7x5.5mm	10 ml /pc		

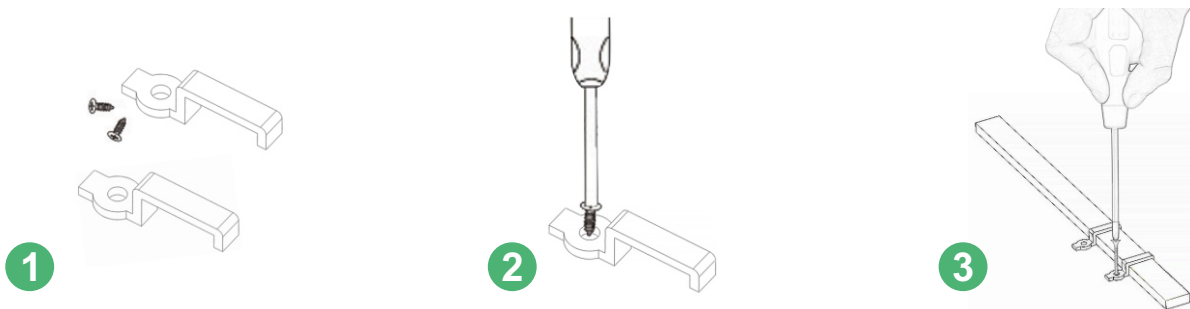
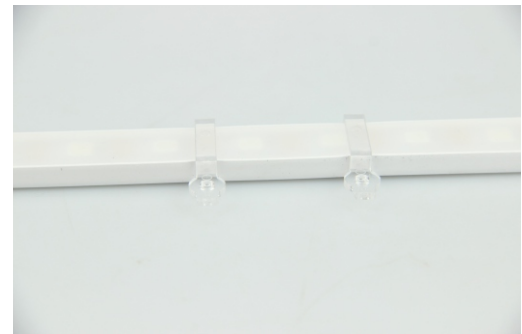
◆ Correct bending way



◆ Accessories



PC clip
25x7x5.5mm(LxWxH)



Note: The parameters are subject to change without notice!