



## Digital flexible Neon Strip



### Product Description

This digital Neon LED is made of Silicon material  
Fire resistance, Anti - UV, Anti - Corrosion and deformation  
resistance Diffused color without any light spots,  
Emitting angle 180 Degrees Standard 5 meters/ reel,  
but can be customized within 50meters



The cutting unit length is 50mm/12V, 100mm/24V  
per section

JST SM connector on input and output side, SPI

Control 20Pixels/Meter DC12V, 10Pixels/Meter

DC24V Waterproof IP65 Rated for outdoor installation



## Product Datasheet

Product Number	N012060CC3SF	N012060CB3SF
Light Source	SMD 5050 RGB	
Beam Angle	120°	
LED Quantity	60 leds/m	
Material	Silicon	
Color Sequence	RGB	
Pixel/M	10Pixels-SPI	20Pixels-WS2811 IC
Operating Voltage	DC24V	DC12V
Power (W)	12 W/M	
Dimension	5000*12*22 MM	
IP	IP 65	
Net Weight	1.5kg/roll (5m)	
Operation Temperature	- 40 ~ 50 °C	

Remark:12V version color output sequence is GRB

## Application



Hotels, restaurants, nights clubs.

Advertising signs, brightening.

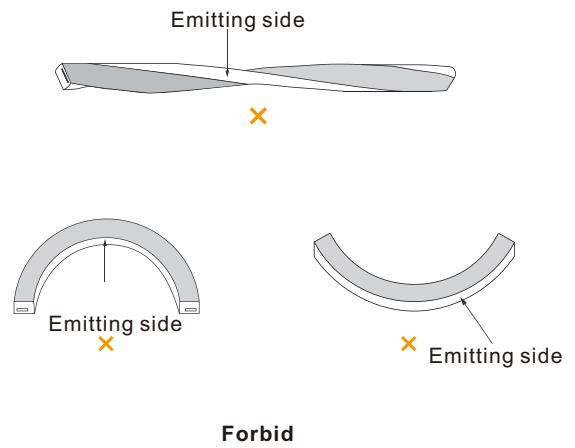
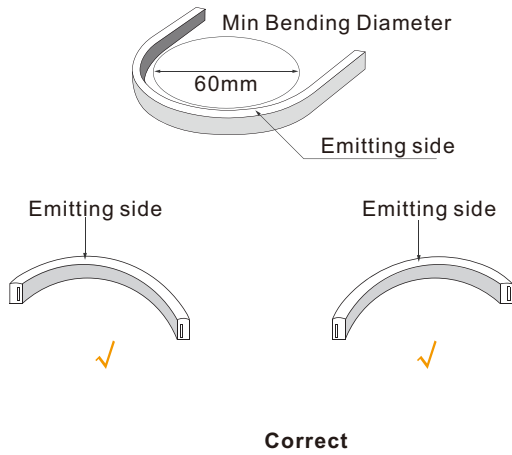


Back lighting, edge lighting.

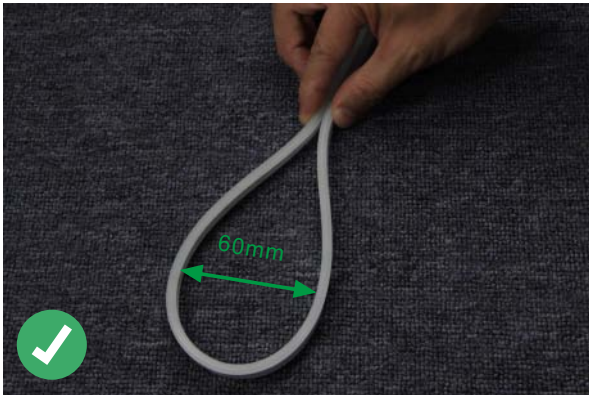
Dancefloor background.



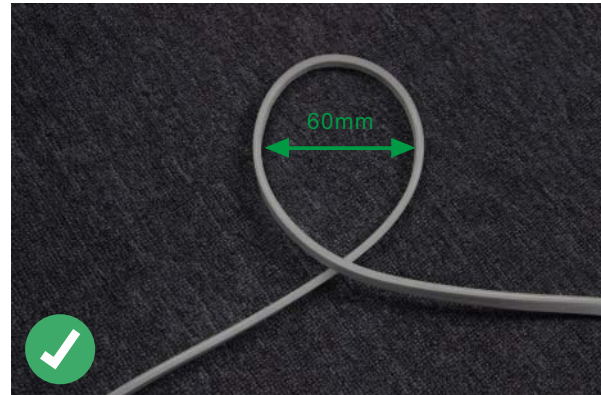
## Correct bending way



## Correct bending



Face to the lighting surface and fold the strip.  
The minimum bending diameter is 80mm



Lighting surface upwards and the strip can be bended to right or left naturally, The minimum bending diameter is 100mm

## Incorrect bending way



Face to the side surface (as the picture shows),  
Do not bend it downward to damage the strip.



(as the picture shows) please do not twist the strip,  
or it will be damaged



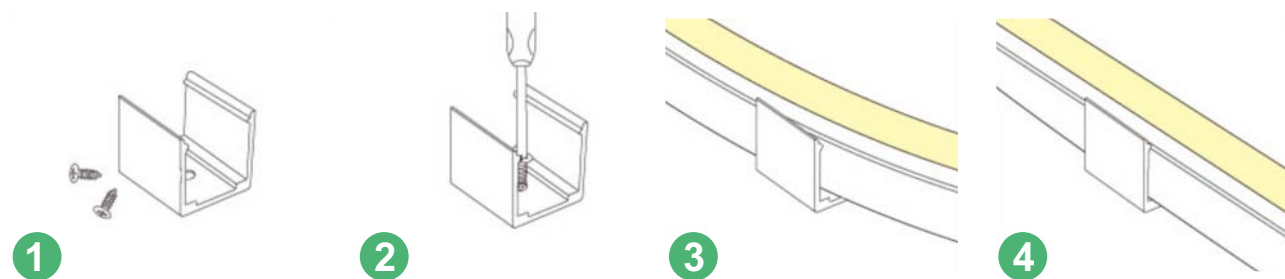
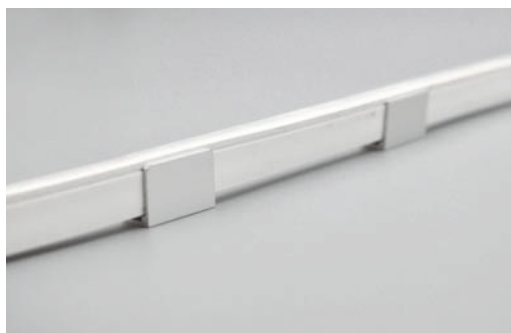
## Installation



clips  
50x8x13mm(LxWxH)



profile  
1000x8x13mm(LxWxH)



## Accessory(Excluded)

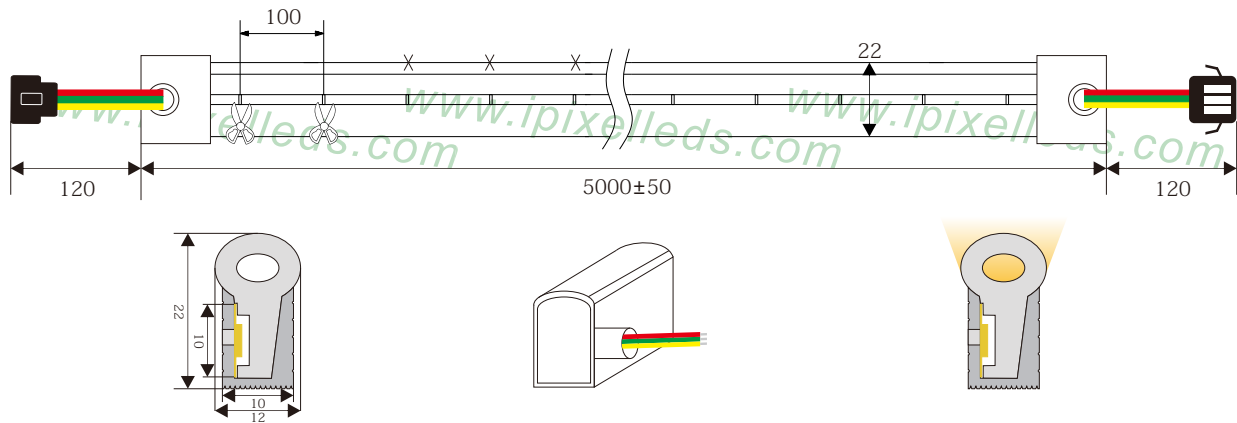
Name	Aluminum clip	Aluminum extrusion	Silicone glue
installation			
Remarks	L: 20 mm	L:1000 mm	10 ml/pc

Name	Standard Connector	End cap
Style		

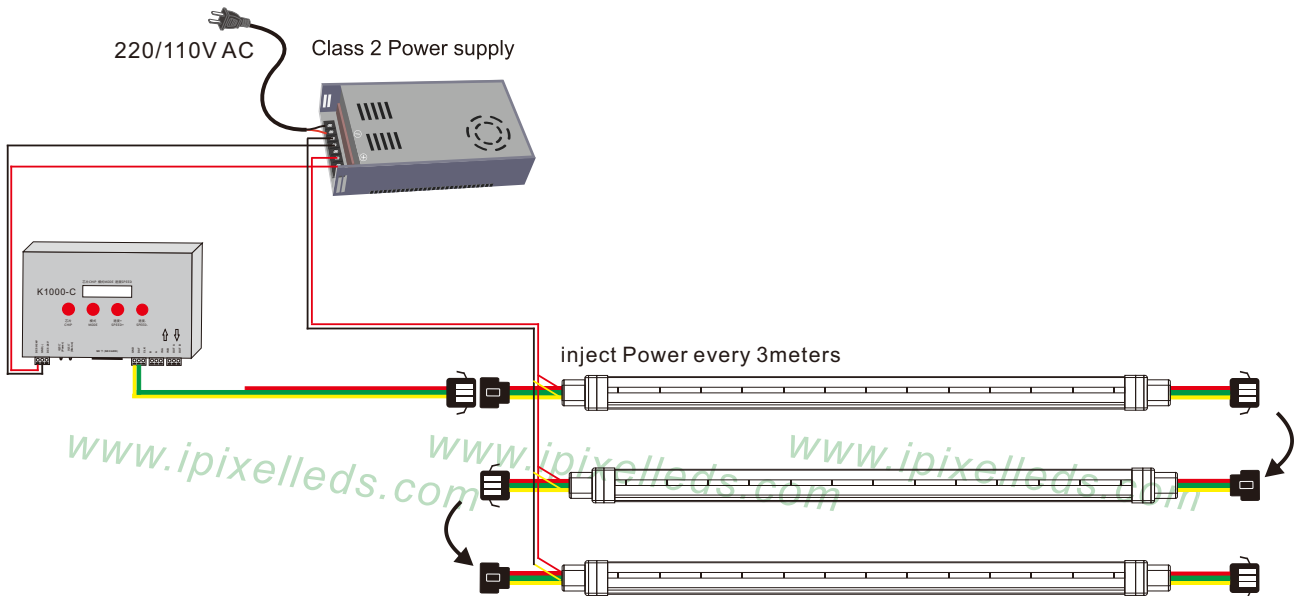


# iPixel LED Light Co., Ltd

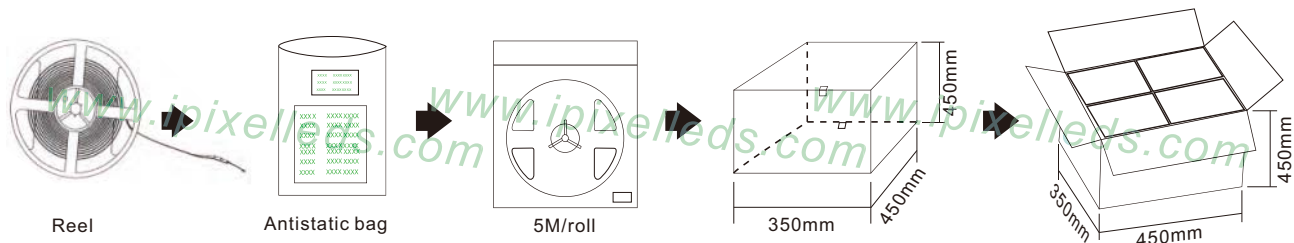
## Outline Dimension (unit:mm)



## Connection



## Product packaging



Product number	Standard length	Quantity / volume	outer carton size	Weight(kg)/reel
N012060CC3SF	5M	240 Reels	L450xW350xH450mm	1.5kg
/				/
/				/
/				/
/				/