

## 4x10mm single color side emitting led neon strip DC24V



### ◆ Product Description:

This neon strip is side view with a translucent silicone rubber as a diffuser, light uniform and no spot. It is designed to be bent side to side with light projecting upwards.

This silicone rubber is anti-UV, anti-yellowing, anti-aging, environmental protection, non-toxic, and very soft.

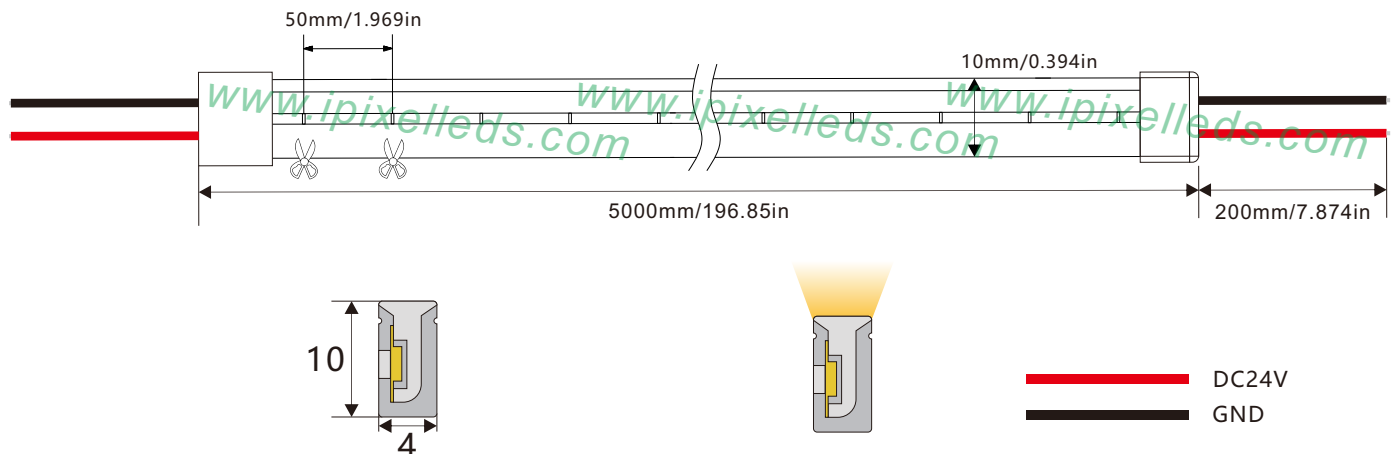
Use highlighted 2835 LED chips, it's long life, low light decay, and good color consistency. Standard length is 5M/roll, length can be customized, there are cutting marks on the side.

IP65 waterproof for outdoor use

### ◆ Product Datasheet

|                   |                                 |                       |              |
|-------------------|---------------------------------|-----------------------|--------------|
| Product Number    | N004120BC1LZ                    | Luminance/M           | W: 210lm     |
| Operating Voltage | DC24V                           | Ra                    | ≥ 80         |
| Power/M           | 5W                              | Beam Angle            | 120°         |
| SMD Type          | SMD 2835                        | Size (mm)             | 5000x4x10mm  |
| LED Qty/M         | 120                             | IP Rate               | IP65         |
| Color             | R/G/B/W:3000K/4000K/6000K       | Operation Temperature | - 25 ~ 60 °C |
| Pixel/M           | /                               | Material              | Silicone     |
| Control           | /                               | Cutting Length        | 50mm         |
| Wavelength        | R:620-625 G:520-525 B:460-465nm | Net Weight/Roll       | 0.3Kg        |

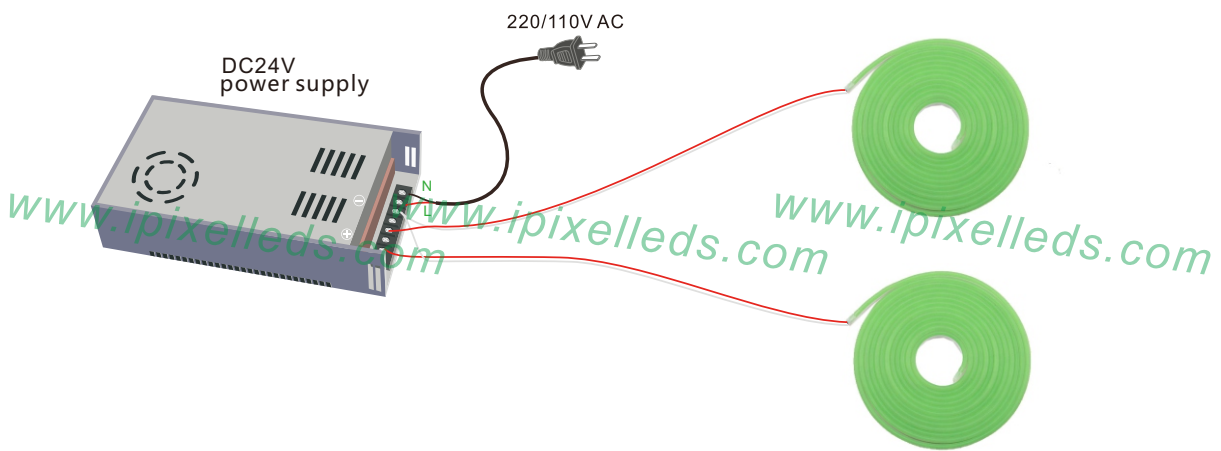
### ◆ Outline Dimension (unit: mm)



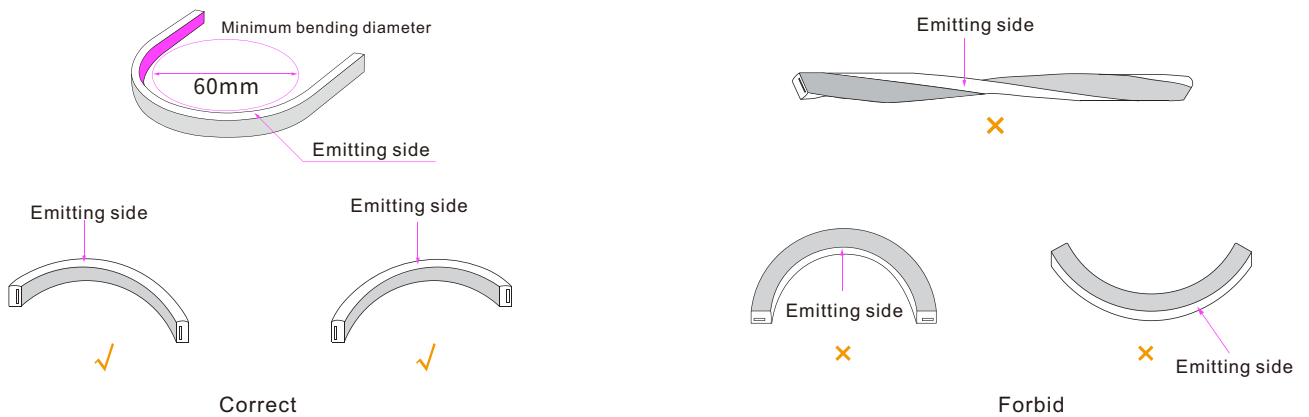
## ◆ Order number

|       |        |           |      |                 |
|-------|--------|-----------|------|-----------------|
| DC24V | R      | White PCB | IP65 | N004120BC1LZ/C1 |
| DC24V | G      | White PCB | IP65 | N004120BC1LZ/C2 |
| DC24V | B      | White PCB | IP65 | N004120BC1LZ/C3 |
| DC24V | 3000 K | White PCB | IP65 | N004120BC1LZ/C4 |
| DC24V | 4000 K | White PCB | IP65 | N004120BC1LZ/C5 |
| DC24V | 5000 K | White PCB | IP65 | N004120BC1LZ/C6 |
| DC24V | 6000 K | White PCB | IP65 | N004120BC1LZ/C7 |

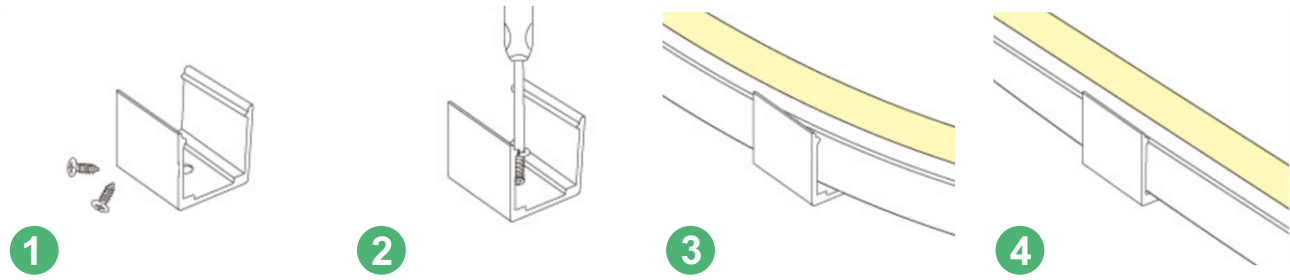
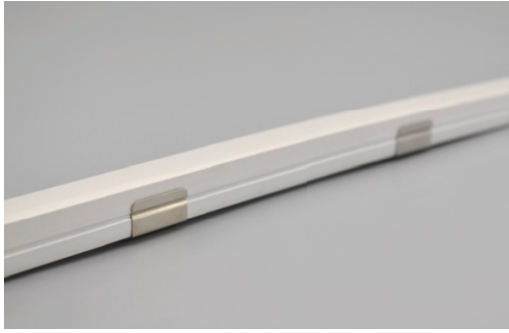
## ◆ Wiring diagram



## ◆ Correct bending way



Note: The parameters are subject to change without notice!



Note: The parameters are subject to change without notice!