

4x10mm single color side emitting led neon strip DC12V



◆ Product Description:

This neon strip is side view with a translucent silicone rubber as a diffuser, light uniform and no spot. It is designed to be bent side to side with light projecting upwards.

This silicone rubber is anti-UV, anti-yellowing, anti-aging, environmental protection, non-toxic, and very soft.

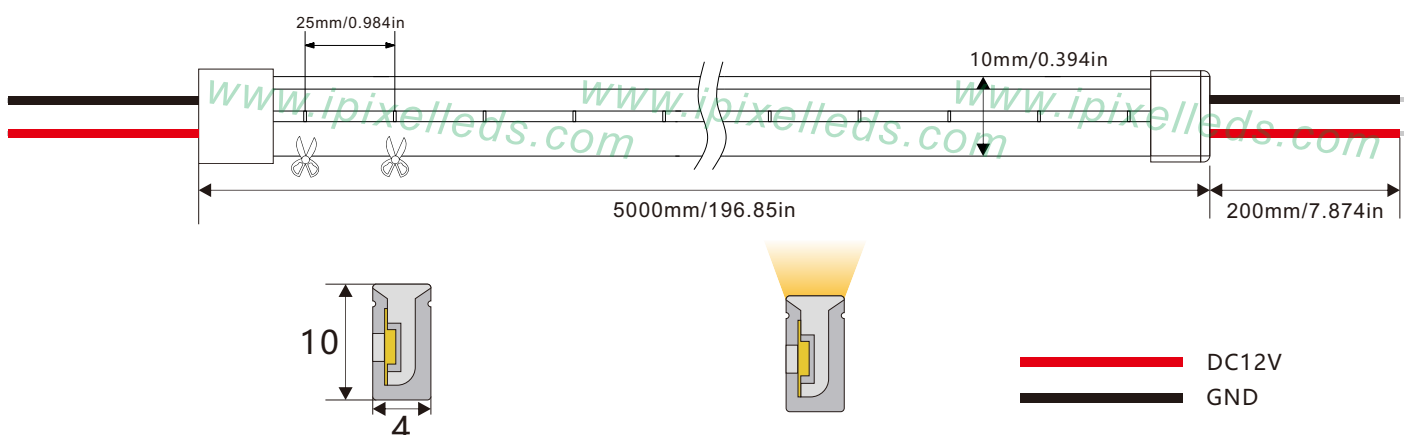
Use highlighted 2835 LED chips, it's long life, low light decay, and good color consistency. Standard length is 5M/roll, length can be customized, there are cutting marks on the side.

IP65 waterproof for outdoor use

◆ Product Datasheet

Product Number	N004120BB1LZ	Luminance/M	W: 210lm
Operating Voltage	DC12V	Ra	Ra ≥ 80
Power/M	5W	Beam Angle	120°
SMD Type	SMD 2835	Size (mm)	5000x4x10mm
LED Qty/M	120	IP Rate	IP65
Color	R/G/B/W:3000K/4000K/6000K	Operation Temperature	- 25 ~ 60 °C
Pixel/M	/	Material	Silicone
Control	/	Cutting Length	25mm
Wavelength	R:620-625 G:520-525 B:460-465nm	Net Weight/Roll	0.3Kg

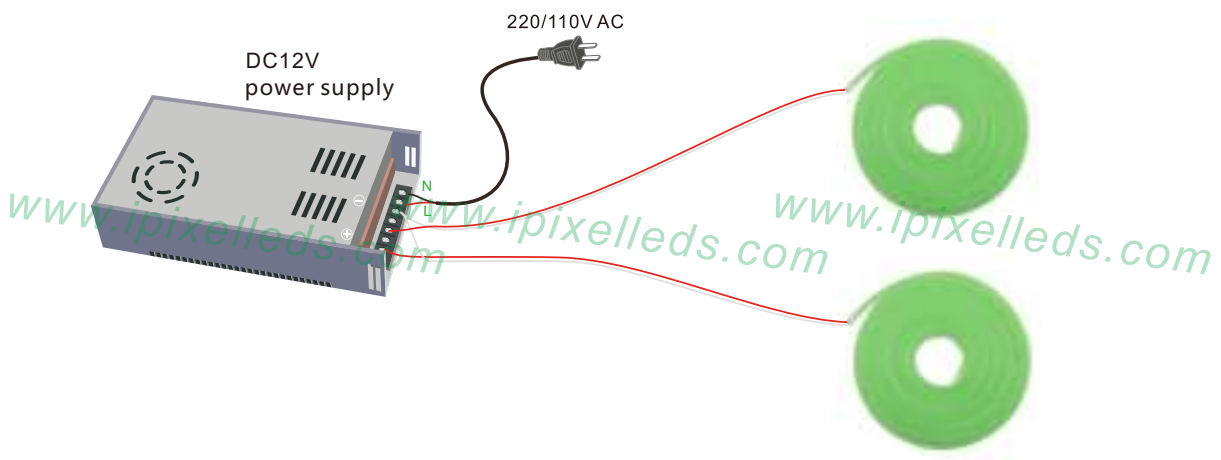
◆ Outline Dimension (unit: mm)



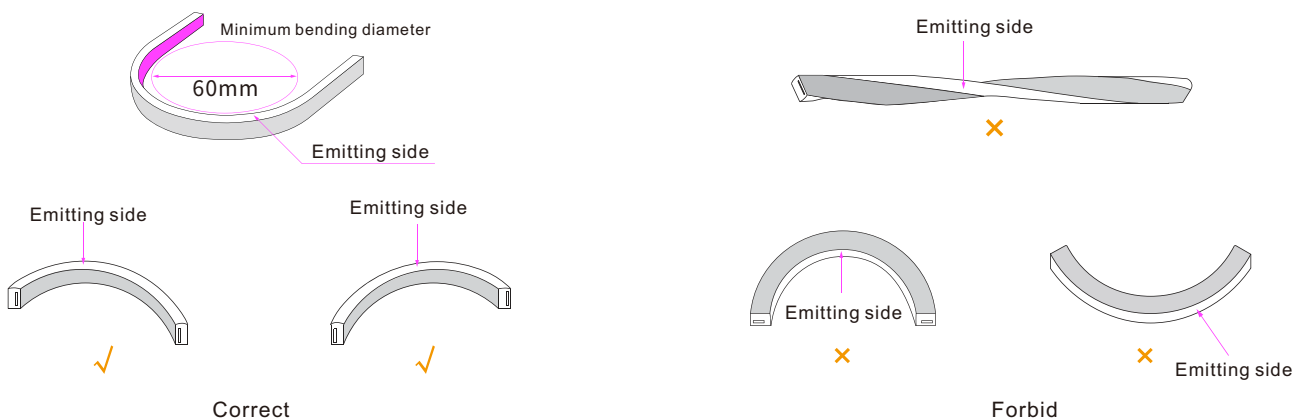
◆ Order number

DC12V	R	White PCB	IP65	N004120BB1LZ/C1
DC12V	G	White PCB	IP65	N004120BB1LZ/C2
DC12V	B	White PCB	IP65	N004120BB1LZ/C3
DC12V	3000 K	White PCB	IP65	N004120BB1LZ/C4
DC12V	4000 K	White PCB	IP65	N004120BB1LZ/C5
DC12V	5000 K	White PCB	IP65	N004120BB1LZ/C6
DC12V	6000 K	White PCB	IP65	N004120BB1LZ/C7

◆ Wiring diagram



◆ Correct bending way



Note: The parameters are subject to change without notice!

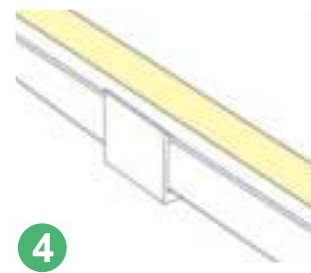
◆ Accessories



Stainless steel clip
7x5.8x8.7mm(LxWxH)



Aluminum profile
1000x5.8x8.7mm(LxWxH)



Note: The parameters are subject to change without notice!