



MW-MLD-5050-3RGBW

Professional Led Modules; **8-25cm** 3D double-sided lightboxes



■ Features:

- Built-in lens 120°
- Internal current stabilization
- 20 pcs in chain



UK
CA

CE

TECHNICAL DETAILS



MODEL	MW-MLD-5050-3RGBW
Supply voltage	12V DC
Power consumption per module	0.96W
Chain power consumption	19.2W
Current consumption per module	0.08A
LED diodes	5050
Quantity of LEDs	3
Light color	RGBW (R,G,B, 6000-8000K), RGBN (R,G,B, 3800-4300K), RGBWw (R,G,B, 2800-3200K)
Luminous flux	R- 3...4lm, G-7...9lm, B- 3...3.5lm, W- 18...20lm, N- 18...20lm, WW- 18...20lm
Luminous flux density	21
Color rendering index - CRI	≥70
Beam angle	120°
Current stabilization	No
Dimming	Yes
Module dimensions (L x W x H)	68 x 36 x 4.9mm
Cable length	175mm
Number of modules in 1m	6
Box weight	
Packing	Chain – 20pcs / Bag – 120pcs / Box – 720pcs
Montage	Adhesive tape / mounting screw
Lifetime	L70B50 > 50000h
Working temperature	-25°C ÷ 55°C
IP protection	IP67
Warranty	5 years

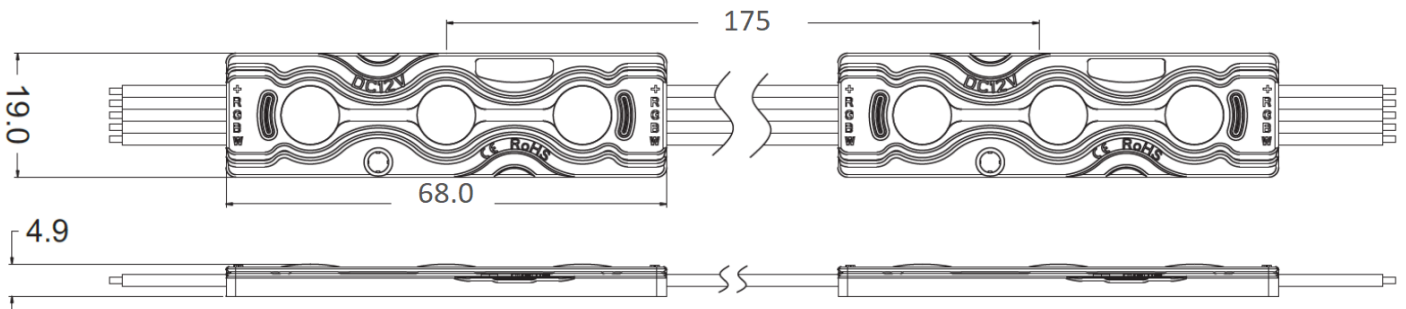


MW-MLD-5050-3RGBW

Professional Led Modules; **8-25cm** 3D double-sided lightboxes



Dimensions



Connection diagram

One-side power input:



Two-side power input:



Maximum number of modules 30 pcs

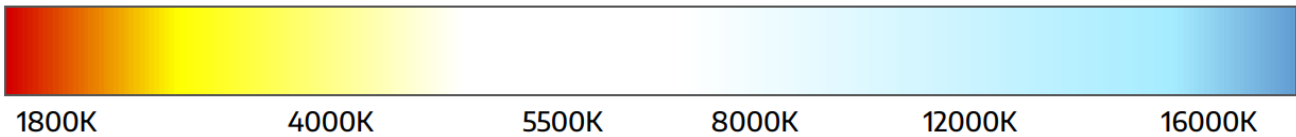
Maximum number of modules 60 pcs

It is acceptable to connect multiple chains in parallel, as long as the power supply provides sufficient power

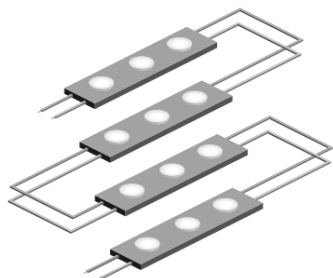
Light color / CCT

Light color

White (6000-8000K) ; Natural White (3800-4300K); Warm White (2800-3200K)



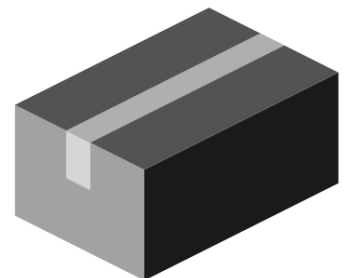
Packing



Chain



Bag



Box