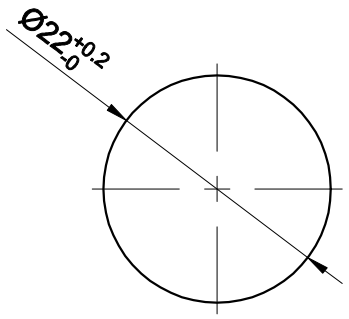
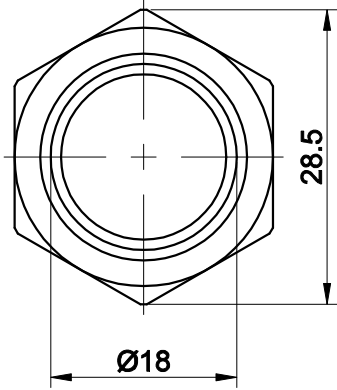
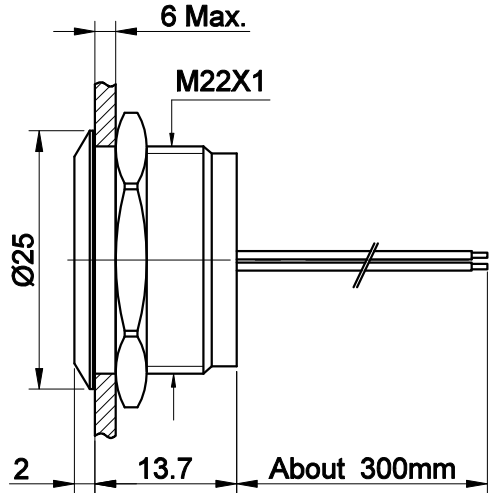
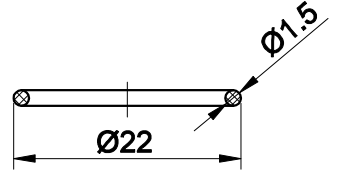


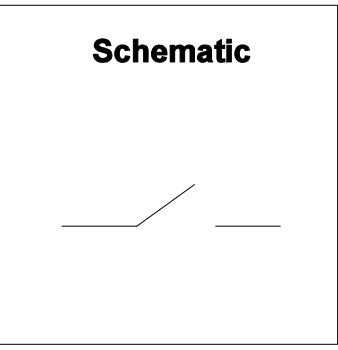
FOR 客户名称	APPROVED 客户确认签字	ATTN 销售负责人



PANEL CUTOUT



Seal Ring



Schematic

Part Number:MTA22-10/Y/S

**SPECIFICATIONS:**

- 1.Switch Rating: DC24V/50mA.
- 2.Mechanical Life: ≥500,000cycles.
- 3.Electrical Life: ≥500,000cycles.
- 4.Contact Resistance: ≤100mΩ.
- 5.Insulation Resistance: ≥1,000MΩ.
- 6.Dielectric Strength: 250V, RMS 50Hz, 1min.
- 7.Operating Temperature: -25°C~ +55°C(No Freezing).
- 8.Operating Force: About 5N.
- 9.Operating Travel: About 0.5mm.
- 10.Torque: About 0.6Nm max.applied to nut.
- 11.Protection degree: IP65,IK05.

**MATERIALS:**

- 1.Button: Stainless Steel.
- 2.Body: Stainless Steel.
- 3.Base: PA.

<b>BRAND</b> 品牌 <b>ONPOW</b>	<b>红波按钮制造有限公司</b> ONPOW PUSH BUTTON MANUFACTURE CO.,LTD.		
	THESE DRAWINGS AND SPECIFICATIONS ARE THE PROPERTY OF ONPOW PUSH BUTTON MANUFACTURE CO.,LTD. AND SHALL NOT BE REPRODUCED COPIED OR USED IN ANY MANNER WITHOUT THE PRIOR WRITTEN CONSENT OF ONPOW PUSH BUTTON MANUFACTURE CO.,LTD.	USED 用途 FINISH 处理 SCALE 比例	APPD 审核 CHKD 校对 DR. 制图
DIMENSIONS 0.00 TO 18.00mm 18.01 TO 30.00mm 30.01 TO 50.00mm 50.01 TO 80.00mm	TOLERANCE ±0.43mm ±0.52mm ±0.62mm ±0.74mm	TITLE 名称 MTA Series micro travel metal pushbutton	
DWG NO. 图号 MTA22-10-Y		FILE NAME 档案名称 MTA22不带灯.DWG	SHEET 张 1 / 1 REV. 更改 1
SIZE 图纸 A4			