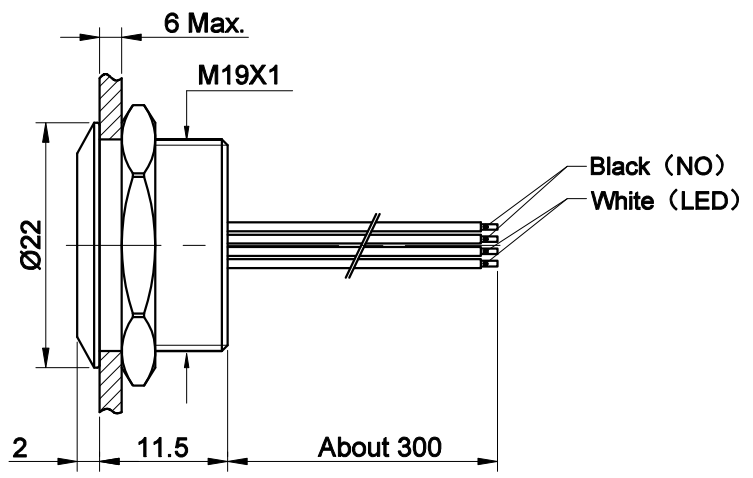
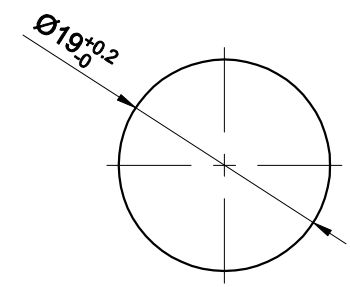
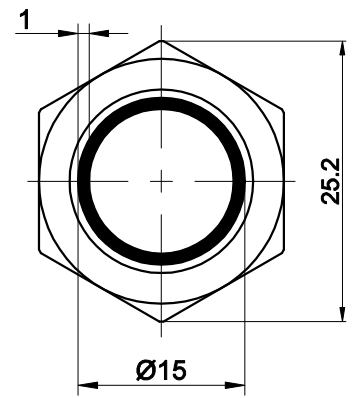


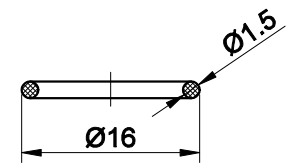
FOR 客户名称	APPROVED 客户确认签字	ATTN 销售负责人



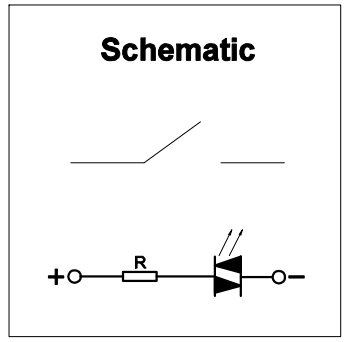
The shaded part is illuminated



PANEL CUTOUT



Seal Ring



Part Number: MTA19-10E/Y/△/▲/S

"△"	Lamp Color	"▲"	Lamp Voltage
R	Red	6V	AC/DC 6V
G	Green	12V	AC/DC 12V
Y	Yellow	24V	AC/DC 24V
B	Blue		
W	White		

SPECIFICATIONS:

1. Switch Rating: DC24V/50mA.
2. Mechanical Life: ≥500,000cycles.
3. Electrical Life: ≥500,000cycles.
4. Contact Resistance: ≤100mΩ.
5. Insulation Resistance: ≥1,000MΩ.
6. Dielectric Strength: 250V, RMS 50Hz, 1min.
7. Operating Temperature: -25°C~ +55°C(No Freezing).
8. Operating Force: About 7.8N.
9. Operating Travel: About 0.5mm.
10. Torque: About 0.8Nm max.applied to nut.
11. Protection degree: IP65,IP67(made to order),IK05.

MATERIALS:

- 1.Button: Stainless Steel.
- 2.Body: Stainless Steel.
- 3.Base: PA.

BRAND 品牌 ONPOW	红波按钮制造有限公司 ONPOW PUSH BUTTON MANUFACTURE CO.,LTD.		
	USED 用途 FINISH 处理 SCALE 比例	APPD 审核 CH 2020/09/01 CHKD 校对 NCH 2020/09/01 DR. 制图 ZPD 2020/09/01	UNIT 单位 mm
DIMENSIONS 0.00 TO 18.00mm 18.01 TO 30.00mm 30.01 TO 50.00mm 50.01 TO 80.00mm	TOLERANCE ±0.43mm ±0.52mm ±0.62mm ±0.74mm	SIZE 图纸 A4	SHEET 张 1 / 1 REV. 更改 1