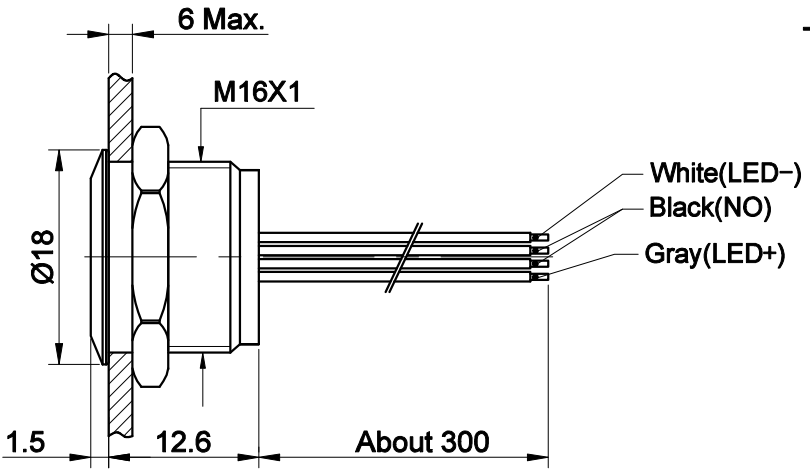
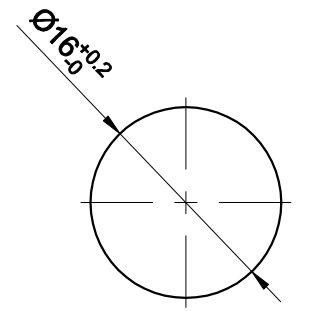
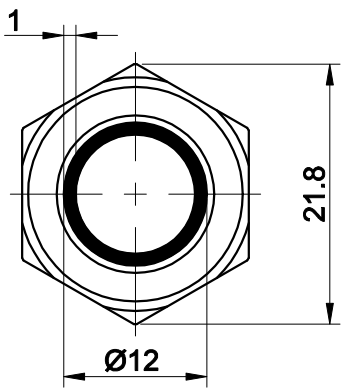


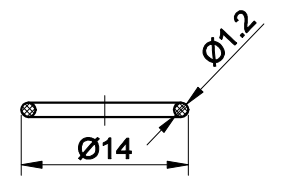
FOR 客户名称	APPROVED 客户确认签字	ATTN 销售负责人



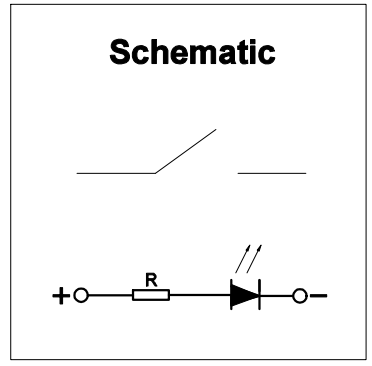
The shaded part is illuminated



PANEL CUTOUT



Seal Ring



Part Number:MTA16-10E/Y/△/▲/S

"△"	Lamp Color	"▲"	Lamp Voltage
R	Red	6V	AC/DC 6V
G	Green	12V	AC/DC 12V
Y	Yellow	24V	AC/DC 24V
B	Blue		
W	White		

**SPECIFICATIONS:**

- 1.Switch Rating: DC24V/50mA.
- 2.Mechanical Life: ≥500,000cycles.
- 3.Electrical Life: ≥500,000cycles.
- 4.Contact Resistance: ≤100mΩ.
- 5.Insulation Resistance: ≥1,000MΩ.
- 6.Dielectric Strength: 250V, RMS 50Hz, 1min.
- 7.Operating Temperature: -25°C~ +55°C(No Freezing).
- 8.Operating Force: About 3.8N.
- 9.Operating Travel: About 0.5mm.
- 10.Torque: About 0.6Nm max.applied to nut.
- 11.Protection degree: IP65,IK05.

**MATERIALS:**

- 1.Button: Stainless Steel.
- 2.Body: Stainless Steel.
- 3.Base: PA.

<b>BRAND</b> 品牌 <b>ONPOW</b>	<b>红波按钮制造有限公司</b> ONPOW PUSH BUTTON MANUFACTURE CO.,LTD.	
	USED 用途 FINISH 处理 SCALE 比例 1.5 / 1	APPD 审核 CH 2020/09/01 CHKD 校对 NCH 2020/09/01 DR. 制图 ZPD 2020/09/01
DIMENSIONS 0.00 TO 18.00mm ±0.43mm 18.01 TO 30.00mm ±0.52mm 30.01 TO 50.00mm ±0.62mm 50.01 TO 80.00mm ±0.74mm	TOLERANCE ±0.43mm ±0.52mm ±0.62mm ±0.74mm	TITLE 名称 MTA Series micro travel metal pushbutton DWG NO. 图号 MTA16-10E-Y FILE NAME 档案名称 MTA16带灯.DWG
SHEET 张 1 / 1		SIZE 图纸 A4 REV. 更改 1