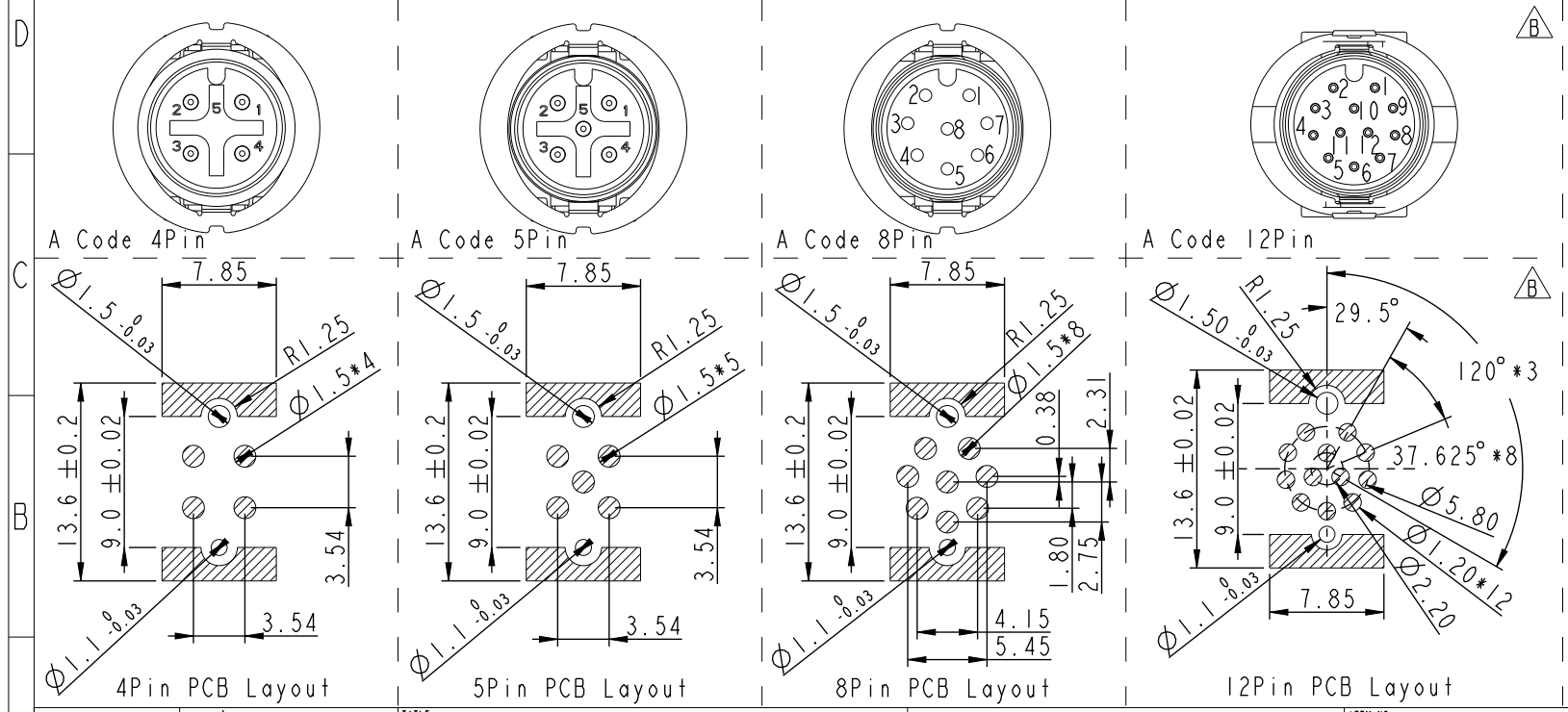
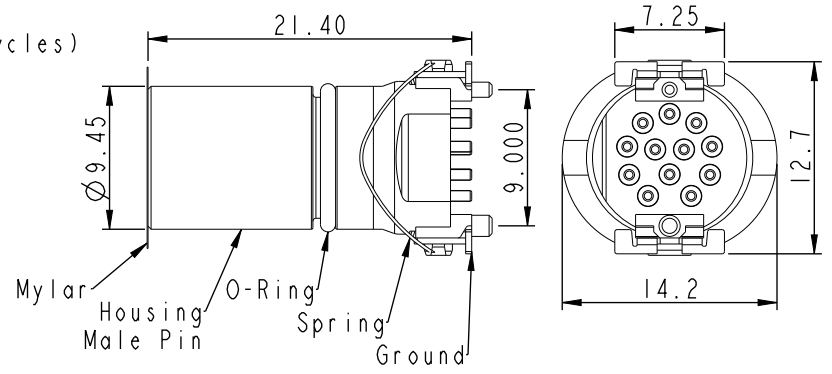


THIS DOCUMENT IS SUBJECT TO CHANGE WITHOUT NOTICE. IT IS CONFIDENTIAL AND A PROPERTY OF Amphenol LTW. DISCLOSURE TO THIRD PARTY HAS TO BE AUTHORIZED BY Amphenol LTW.

REV.	ECN NO.	DATE	SIGN	DESCRIPTION
A		2020-07-14	Allen Pan	Rev.01 To Rev.A
B	C201391	2020-09-04	Yuwei Chou	△B *13

Note:
 * \varnothing Important Dimension
 Material Specification:
 * Housing : Thermoplastic, Black
 * Male Pin : Copper Alloy, Gold Plated
 * Ground : Metal
 * Spring : Metal
 * O-Ring : Rubber, Gray
 Electrical Specification:
 * Contact Resistance : 10mΩ Max.
 * Insulation Resistance : 100MΩ min.
 * Dielectric Withstanding Voltage : 1KV
 * Rated Voltage : 4Pin 250V d.c. or a.c.
 5Pin 60V d.c. or a.c.
 △B 8&12Pin 30V d.c. or a.c.
 * Rated Current : 4Pin&5Pin 4A
 8Pin 2A
 △B 12Pin 1.5A

Mechanical Specification:
 * Durability : 1000 Cycles(IEC : 100 Cycles)
 Environmental Specification:
 * Temperature Range : -55-125°C
 * Salt Spray : 48h
 * SMT Temperature & Time : 260°C/5Sec
 * SMT Paste : 0.12mm min.



MSAS-XXPMMT-EE0001

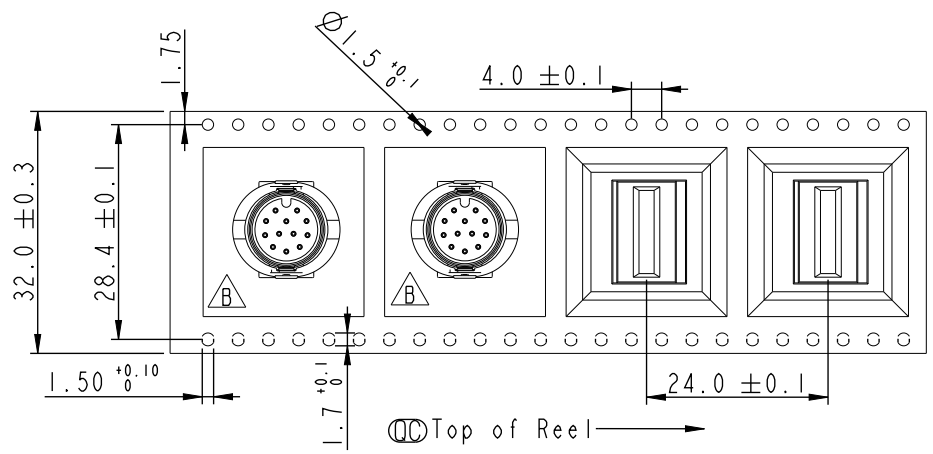
04:4Pin
 05:5Pin
 08:8Pin
 △B 12:12Pin

UNIT:mm	\varnothing	
TOLERANCE	.X ±0.25	
	.XX ±0.1	
	.XXX ±0.05	
ANGLES	±1°	
TITLE	M12 A CODE M CONN M PIN SMT TYPE	
SCALE	2:1	SIZE A4
		SHEET 1 OF 3
REV.	B	WC-REV. A.1
		\varnothing Inspection item

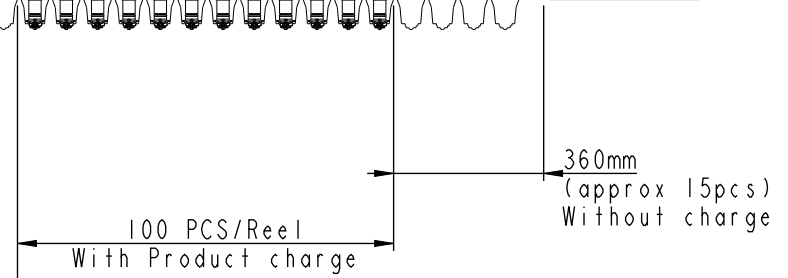
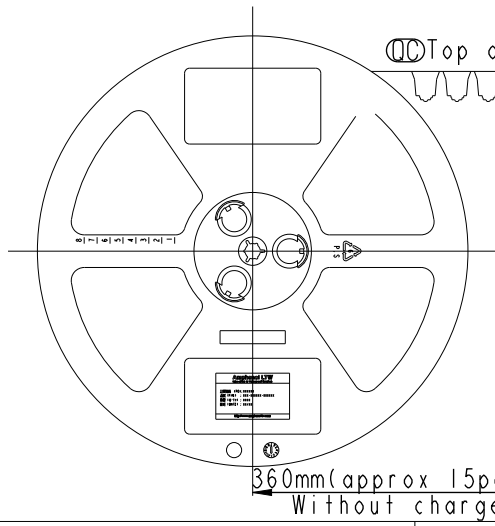
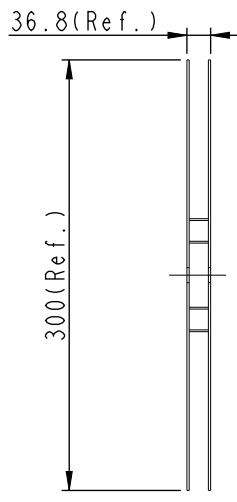
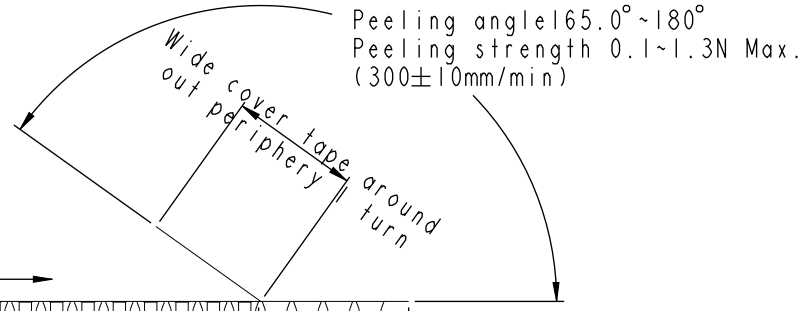
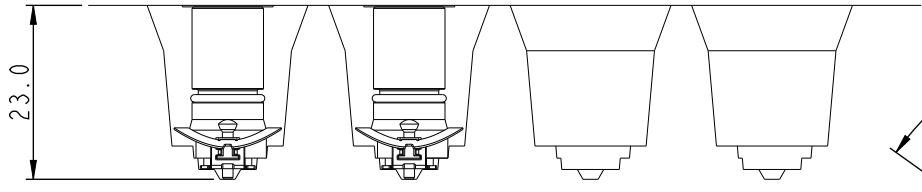
Amphenol LTW
 安費諾亮泰企業股份有限公司

ITEM NO	DRAWN BY	DATE
	Allen Pan	2020-07-14
DWG NO	CHECKED BY	DATE
MSAS-XXPMMT-EE0001	Sam Ho	2020-07-14
CUSTOMER	APPROVED BY	DATE
ALTW	Fred Lee	2020-07-14

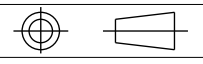
THIS DOCUMENT IS SUBJECT TO CHANGE WITHOUT NOTICE. IT IS CONFIDENTIAL AND A PROPERTY OF Amphenol LTW. DISCLOSURE TO THIRD PARTY HAS TO BE AUTHORIZED BY Amphenol LTW.



Note :
 Ⓞ* Connector Orientat follow Drawing



UNIT: mm
 TOLERANCE
 .X ±0.25
 .XX ±0.1
 .XXX ±0.05
 ANGLES ±1°

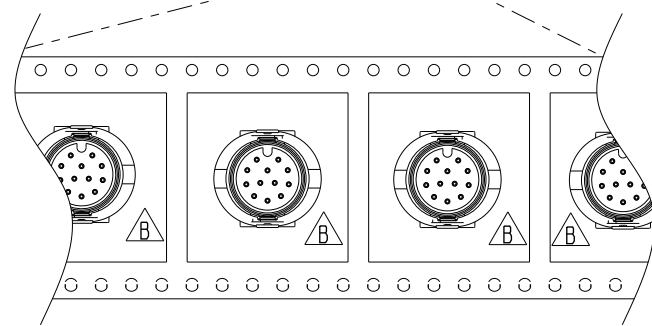
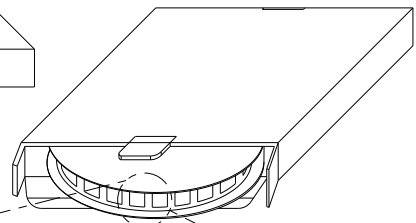
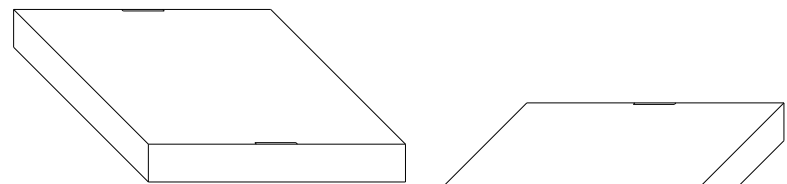


TITLE M12 A CODE M CONN M PIN SMT TYPE			
SCALE FREE	SIZE A4	SHEET 2 OF 3	
REV. B	WC-REV. A.1	Ⓞ: Inspection item	

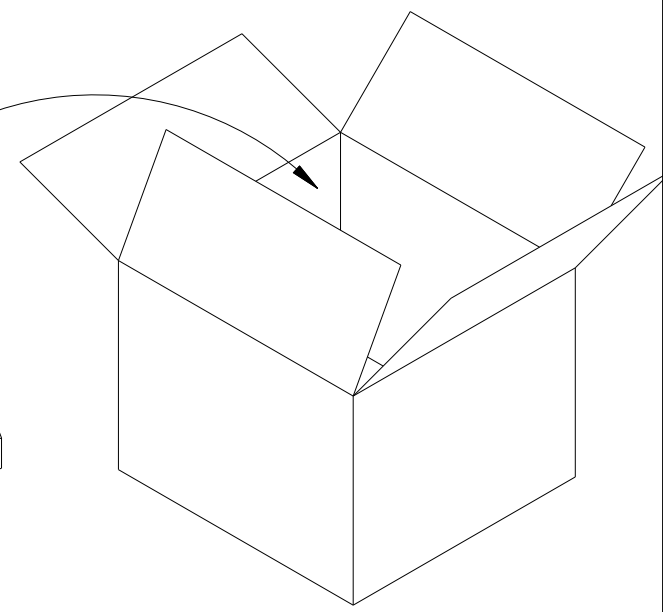
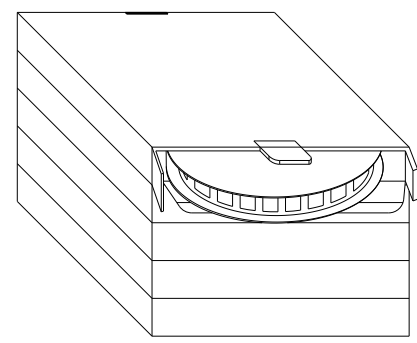
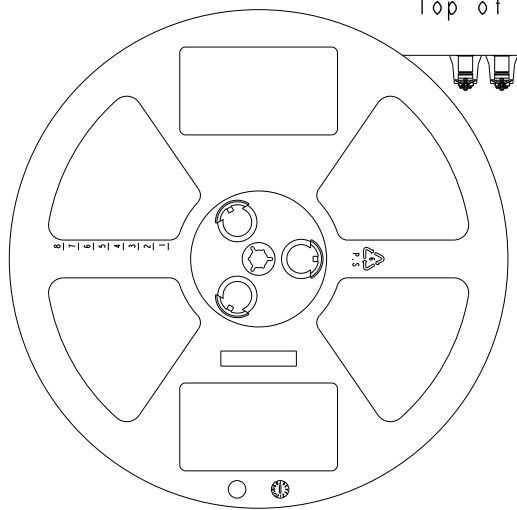
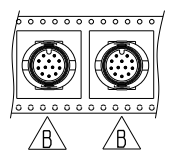
Amphenol LTW
 安費諾亮泰企業股份有限公司

ITEM NO	DRAWN BY Allen Pan	DATE 2020-07-14
DWG NO MSAS-XXPMMT-EE0001	CHECKED BY Sam Ho	DATE 2020-07-14
CUSTOMER ALTW	APPROVED BY Fred Lee	DATE 2020-07-14

THIS DOCUMENT IS SUBJECT TO CHANGE WITHOUT NOTICE. IT IS CONFIDENTIAL AND A PROPERTY OF Amphenol LTW. DISCLOSURE TO THIRD PARTY HAS TO BE AUTHORIZED BY Amphenol LTW.

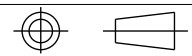


Top of Reel →



Note:
 100 PCS(Connector)/Tape&Reel Put in a Box
 5PCS(Max.) Box Put in a Carton

UNIT: mm



TITLE
 M12 A CODE M CONN M PIN SMT TYPE

Amphenol LTW

ITEM NO

DRAWN BY
 Allen Pan

DATE
 2020-07-14

DWG NO
 MSAS-XXPMMT-EE0001

CHECKED BY
 Sam Ho

DATE
 2020-07-14

CUSTOMER
 ALTW

APPROVED BY
 Fred Lee

DATE
 2020-07-14

TOLERANCE
 .X ±0.25
 .XX ±0.1
 .XXX ±0.05
 ANGLES ±1°

SCALE FREE SIZE A4 SHEET 3 OF 3

安費諾亮泰企業股份有限公司

REV. B WC-REV. A.1 Inspection item