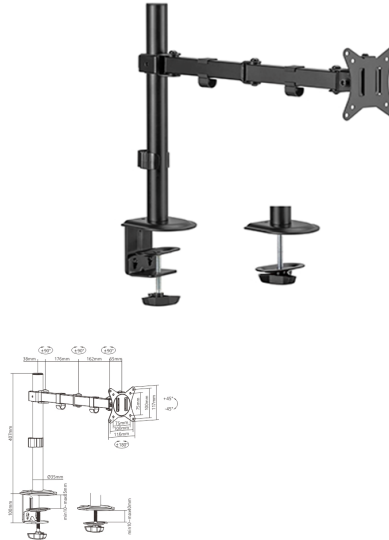


MA-D1-01

Adjustable desk display mounting arm (rotate, tilt, swivel), 17"-32", up to 9 kg

- Position your screen perfectly
- Lightweight and tilting design



Features

- Monitor desk mount with single monitor arm
- Arm allows to swivel, extend, retract or tilt your display and enables rotating the display from landscape-to-portrait mode, etc
- Works with almost any LCD monitor (max. 32")
- Strong desk clamp or grommet for easy and secure fixation on your desk
- Built-in cable management for an organized and neat workspace
- VESA compatible (100 x 100 mm and 75 x 75 mm)

Packaging

Q'ty in crtn, pcs	6
Crtn volume, CUM	0.0372465
Crtn weight, kgs	18.14
Individual package size LxWxH:	428x125x97 mm
Carton size LxWxH:	445x270x310 mm
Country of origin	CN
Barcode	8716309126069
Customs code	8302500000

Package contents

Arm elements
Installation accessories kit
Installation manual

Specifications

Material: steel, plastic
Surface finish: powder coating
Color: fine texture black
Fit screen size: 17" 32"
Weight capacity: 9 kg
Vesa compatible: 100x100, 75x75 mm
Tilt range: +45° ~ -45°
Swivel range: +90° ~ -90°
Screen rotation: +180° ~ -180°
Installation: grommet, clamp
Suggested desktop thickness: clamp: 10 ~ 85 mm. grommet: 10 ~ 40 mm

Certificates

