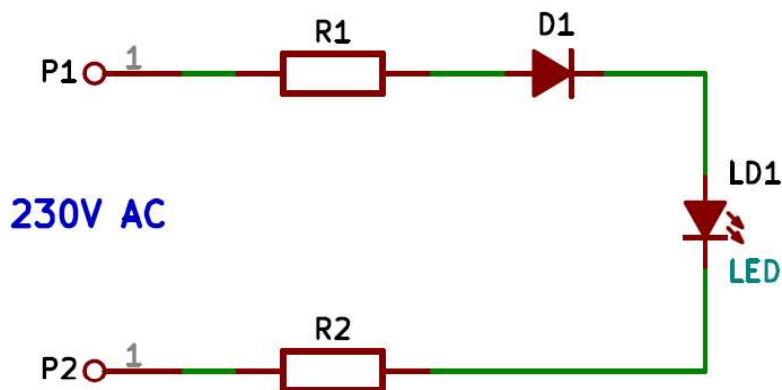


## 1. Product description:

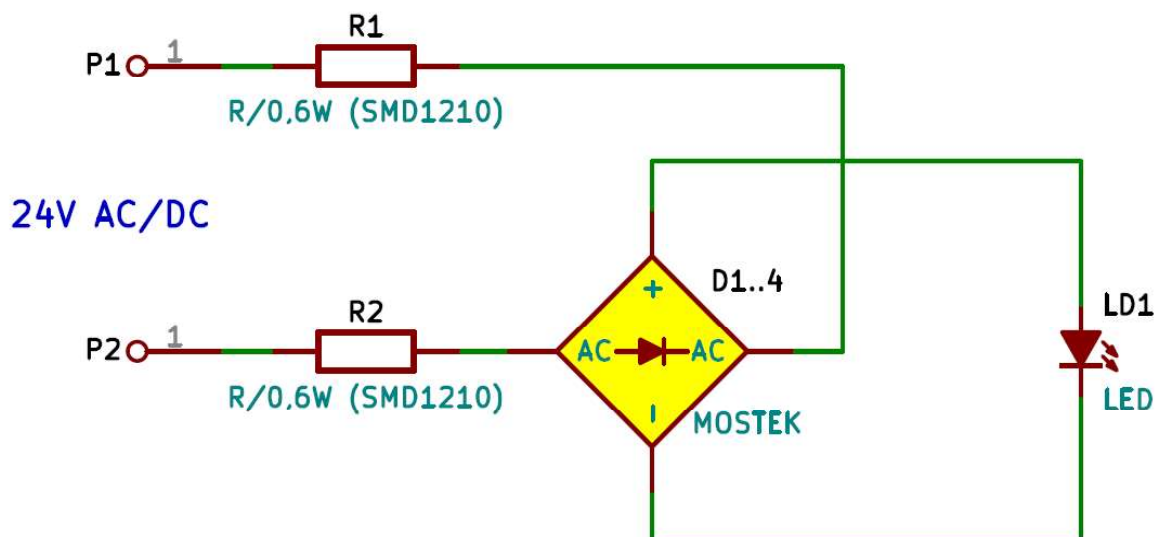
The declaration is concerned about LED signal lamps produced for a number of voltage ranging 24V-AC - 400V-AC (24V; 30V; 48V; 60V; 110-130V; 230V; 400V) and 24V-DC – 220V-DC (24V; 30V; 48V; 60V; 110-130V; 220V). The lamps are designed for electric accessories use.

## 2. Technological documentation:

All the signal LED lamps are based on the following circuitry  
**Half-wave rectifier (version for 220V-DC, 230V-AC)**

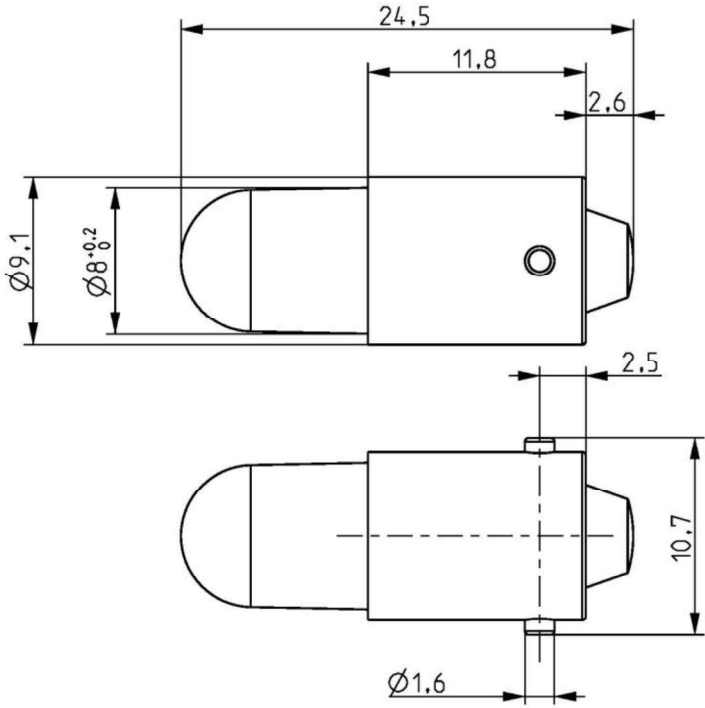


**Full-wave rectifier (version for 12V-AC/DC, 24V-AC/DC)**



For 230 V-AC voltage, power consumption is 0,8 W, for 24V-AC, it is 0,25 W and for 24V-DC, it is 0,5 W.

- signal lamp BA9S



# LED CONTROL LAMPS BA9S



## Technical parameters of lamps (24V-AC/DC)

color	luminosity AC (mcd)	luminosity DC (mcd)	wave lenght (nm)	power AC/DC
red [R] mat	700-800	1000-1500	630	0,25 / 0,5 W
green [G] mat	800-1000	2200-2400	530	0,25 / 0,5 W
yellow [Y] mat	800-1000	1100-1250	590	0,25 / 0,5 W
orange [O] mat	600-800	650-750	610	0,25 / 0,5 W
blue [B] mat	300-400	750-850	470	0,25 / 0,5 W
white [W] mat	2000-2500	4000-5000	4500 K	0,25 / 0,5 W

## Technical parameters of lamps (230V-AC)

color	luminosity (mcd)	wave lenght (nm)	power
red [R] mat	200-250	630	0,8 W
green [G] mat	400-500	530	0,8 W
yellow [Y] mat	250-300	590	0,8 W
orange [O] mat	150-170	610	0,8 W
blue [B] mat	90-100	470	0,8 W
white [W] mat	1100-1600	3000 K	0,8 W

Data aktualizacji : 01-03-2024