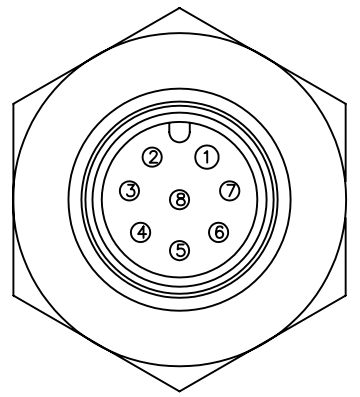
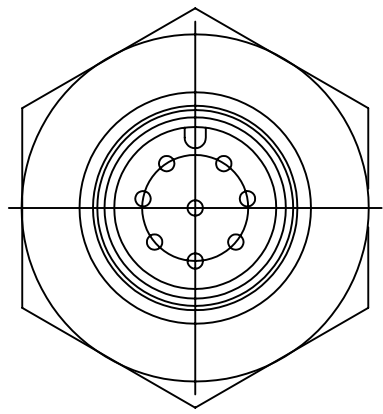
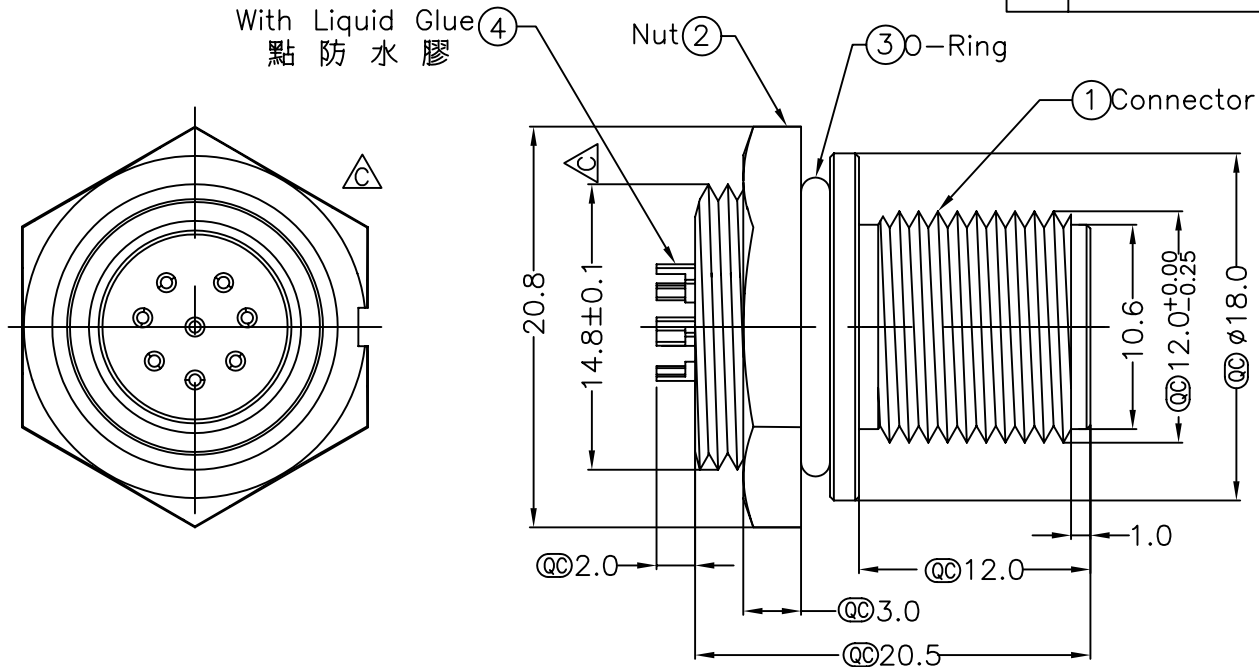
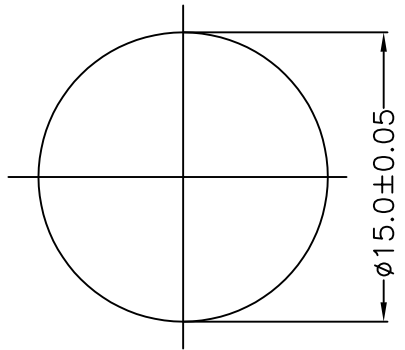


REV.	ECN NO.	DATE	SIGN	DESCRIPTION
C	LE3-980102	2009/08/11	Li Xiu Zhi	Change View & Update Drawing

THIS DOCUMENT IS SUBJECT TO CHANGE WITHOUT NOTICE. IT IS CONFIDENTIAL AND A PROPERTY OF LTW. DISCLOSURE TO THIRD PARTY HAS TO BE AUTHORIZED BY LTW.



PIN ASSIGNMENTS  
FRONT VIEW 前視圖



RECOMMENDED PANEL CUT-OUT



- Note:
- \* Ⓞ Important Dimension.
  - △\* Connector: Nylon+GF, Black
  - △\* Nut: Nylon+GF, Black
  - \* O-Ring: EPDM, Black
  - \* Liquid Glue: Clear
  - △\* For Panel Thickness Max 2.2mm

UNIT:mm		TITLE			ITEM NO	DRAWN BY	DATE
		M12.0 8Pin Female Sensor Connector			LTWM12P-08PMMS-SC	Li Xiu Zhi	2009/08/11
TOLERANCE		SCALE	SHEET		DWG NO	CHECKED BY	DATE
.X ±0.25 .XX ±0.1 .XXX ±0.05 ANGLES ±1°		Free	1 OF 1		LTWM12P-08PMMS-SC	Sunny	2009/08/22
REV.	SIZE	SHEET		CUSTOMER	APPROVED BY	DATE	
C	A4	④ : Inspection Item			Luke	2009/08/25	
1	2	3	4	5	6	7	8 QP02C-01-01A2