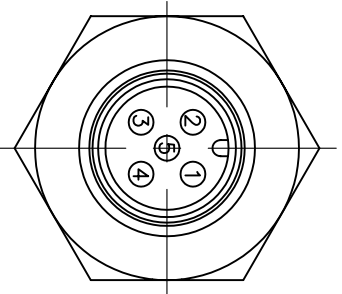
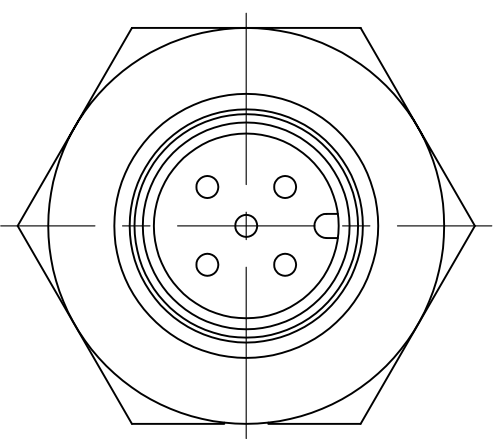
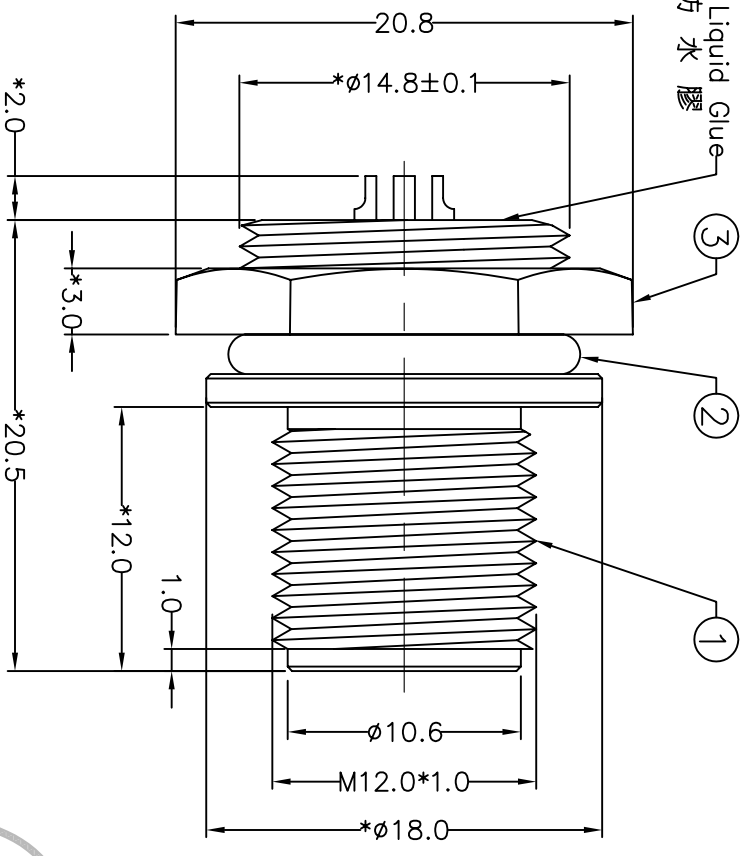
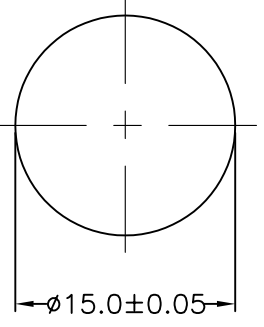


④ With Liquid Glue  
點防水膠



PIN ASSIGNMENTS  
FRONT VIEW 前視圖



RECOMMENDED  
PANEL CUT-OUT

UNIT: mm		TITLE	M12.0 5Pin Male Sensor Connector
TOLERANCE		SCALE	3:1
.XX	±0.25	SHEET	1
.XXX	±0.1	OF	1
ANGLES	±1	SIZE	A4
REV.	A	DATE	

**litronic**  
亮泰企業股份有限公司



Notes:  
\* Important Dimension To Check.  
(\* 為重點檢驗尺寸)

4	Liquid Glue		1	LIQ-002
3	Nut	Nylon+30%GF	1	ANB277XXX01
2	Ring	EPDM	1	DDR0019EP70
1	Connector	M12 5Pin Male,Nylon+GF	1	ZTM214C0501
NO.	NAME	COLOR	SPECIFICATION	QTY
				NOTE

ITEM NO	LTWM12P-05PMMMS-SC	DRAWN BY	XIAO WEI XIE	DATE	2004/02/07
DWG NO	LTWM12P-05PMMMS-SC	CHECKED BY	龍向和	DATE	2004/09/21
CUSTOMER		APPROVED BY	席武濤	DATE	2004/09/21