

SPECIFICATION



LIAN DUNG

ELECTRIC WIRE MATERIAL CO., LTD

聯東電線材料股份有限公司

APPROVED

台灣台中市豐原區三豐路二段 515-16 號
No.515-16, Sec.2, Sanfeng Rd., Fengyuan Dist.,
Taichung City 420, Taiwan
TEL : 04-25270346 FAX : 886-4-25270348
[http : //www.liandung.com.tw](http://www.liandung.com.tw)
E-mail : liandung@liandung.com.tw

客戶名稱 : (CUSTOMER NAME)

TME

客戶料號 : (CUSTOMER PART NO.)

(1)PC-GB03 (2)PC-GB05 (3)PC-GB05-WH
(4)PC-GB13

PLUG : LT-327 (3A) (5A) (13A)
CORD : COLOR IN BLACK (WHITE)
ISSUE : LD-QA-(1)1100554 (2)1090211
(3)1100555 (4)1100556
DATE : MAY-21-2021

核		審		製	廖柏昇
准		核		表	

2. PLUG

2.1 SCOPE

The plug shall be in accordance with BS1363
(Specification for plugs, switched and unswitched socket-outlets)

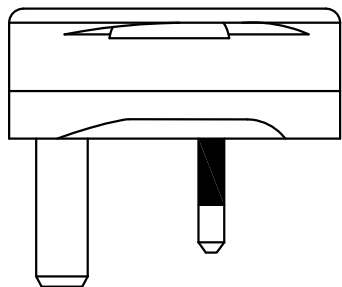
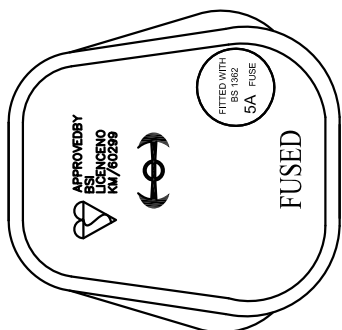
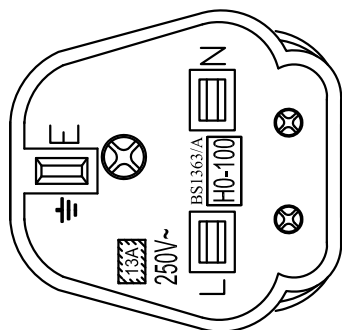
2.2 CONSTRUCTION

The plug construction shall be in accordance with our Catalogue
NO.LT-327(3A)(5A)(13A)(HO-100)Assembly Type

2.3 CHARACTERISTICS

NO	TEST ITEM	SPEC.VALUE	TEST RESULTS
1.	Moisture resistance test	Samples are kept in a humidity cabinet containing air with a relative humidity between 91 to 95% and a temperature of 20-30°C for a duration of 48 hours	No damage
2.	Electric strength test	A voltage of A.C.2000V is applied for 2-3 sec after the moisture resistance test.	No flashover and breakdown
3.	Insulation resistance test	This test is measured with a D. C. 500V after the moisture resistance test.	Min. 5 M Ohm
4.	Flexing test	The sample shall be loaded with a weight of 10N(1.02kg) or 20N(2.04kg) depending on the cord diameter and the oscillating number shall be moved backward and forward through an angle of 90°(45° on either side of the vertical) the number of flexing being 10,000 at the rate of 60 cycles per minutes.The rated current of plug is passed through the conductors. Specimens with circular section flexible cables are turned through 90° in the oscillating member after 5000 flexing.	Breaking rate is under 10%.
5.	Tumbling test	The samples are dropped from a height of 50cm onto a plywood base (10mm thick) for a total of 1000 times.	No damage

6.	Cold test	The samples are kept in a refrigerator at a temperature of $-15\pm 2^{\circ}\text{C}$, for 1 hour.	No damage
7.	Abrasion test	The pin of sample slopes downwards at angle of 10° to the horizontal. The sample is loaded with a force of 4N on the pin. The number of movement is 20000, and the length of pin subjected to abrasion is approximately 7mm over the insulating sleeve.	No damage
8.	Heat deformation test	The samples are kept for 1 hour in a heating cabinet at temperature of $70\pm 2^{\circ}\text{C}$.	No damage



NOTE :

1. PLUG : LT-327(5A)UNITED KINGDOM TYPE
2. CONNECTOR : NA
3. Strain relief : NA
4. CORD : COLOR IN BLACK
5. APPROVALS : BSI
6. CUSTOMER : TME
7. Supplier for flexible cord : NA
8. P/N : PC-GB05

※Customer drawing number : NA

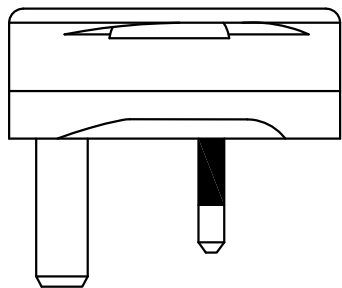
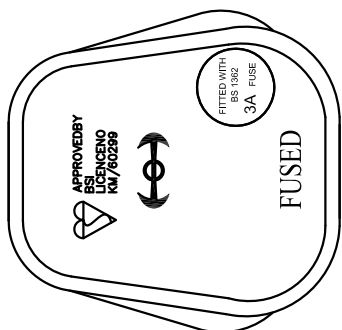
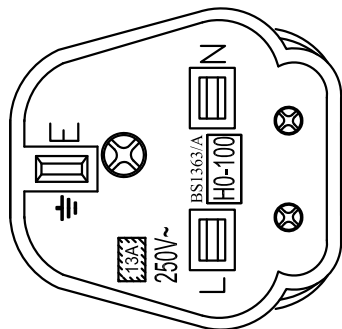
修改履歷

6		
5		
4		
3		
2	新增料號:PC-GB05	21/05/21
1	新增	20/02/06
REV.	DESCRIPTION	DATE

DRAWER	廖柏昇	DATE	21/05/21	TITLE	LT-327
APPROVE		REV.	2	Dr.No.	1090211
	比例	TOL.	±5mm		
		ALL DIMENSIONS IN mm			



LIAN DUNG
ELECTRIC WIRE MATERIAL CO.,LTD.
 聯東電線材料股份有限公司



NOTE :

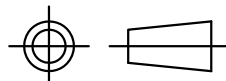
1. PLUG : LT-327(3A)UNITED KINGDOM TYPE
2. CONNECTOR : NA
3. Strain relief : NA
4. CORD : COLOR IN BLACK
5. APPROVALS : BSI
6. CUSTOMER : TME
7. Supplier for flexible cord : NA
8. P/N : PC-GB03

※Customer drawing number : NA

修改履歷

6		
5		
4		
3		
2		
1	新增	21/05/21
REV.	DESCRIPTION	DATE

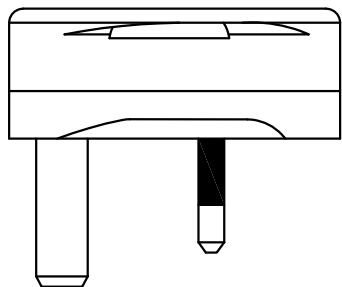
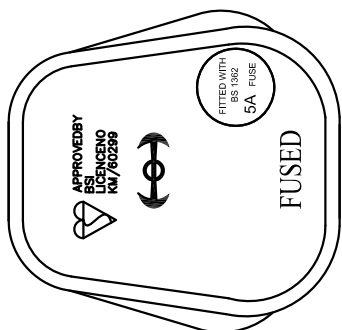
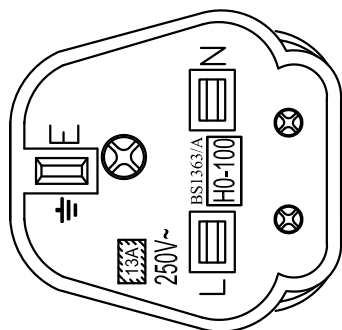
DRAWER	廖柏昇	DATE	21/05/21	TITLE	LT-327
APPROVE		REV.	1	Dr.No.	1100554
		TOL.			±5mm
		ALL DIMENSIONS IN mm			



比例



LIAN DUNG
ELECTRIC WIRE MATERIAL CO.,LTD.
 聯東電線材料股份有限公司



NOTE :

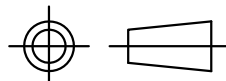
1. PLUG : LT-327(5A)UNITED KINGDOM TYPE
2. CONNECTOR : NA
3. Strain relief : NA
4. CORD : COLOR IN WHITE
5. APPROVALS : BSI
6. CUSTOMER : TME
7. Supplier for flexible cord : NA
8. P/N : PC-GB05-WH

※Customer drawing number : NA

修改履歷

6		
5		
4		
3		
2		
1	新增	21/05/21
REV.	DESCRIPTION	DATE

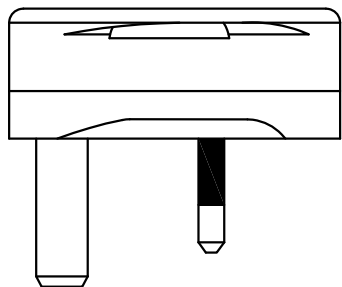
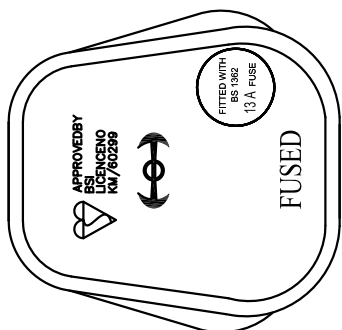
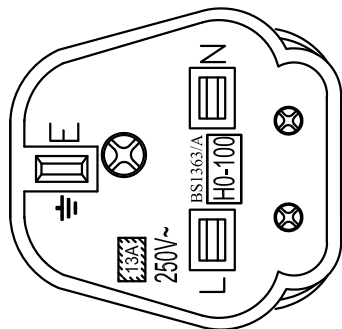
DRAWER	廖柏昇	DATE	21/05/21	TITLE	LT-327
APPROVE		REV.	1	Dr.No.	1100555
		TOL.			±5mm
		ALL DIMENSIONS IN mm			



比例



LIAN DUNG
ELECTRIC WIRE MATERIAL CO.,LTD.
聯東電線材料股份有限公司



NOTE :

1. PLUG : LT-327(13A)UNITED KINGDOM TYPE
2. CONNECTOR : NA
3. Strain relief : NA
4. CORD : COLOR IN BLACK
5. APPROVALS : BSI
6. CUSTOMER : TME
7. Supplier for flexible cord : NA
8. P/N : PC-GB13

※Customer drawing number : NA

修改履歷

6		
5		
4		
3		
2		
1	新增	21/05/21
REV.	DESCRIPTION	DATE

DRAWER	廖柏昇	DATE	21/05/21	TITLE	LT-327
APPROVE		REV.	1	Dr.No.	1100556
	比例	TOL.	±5mm		
		ALL DIMENSIONS IN mm			



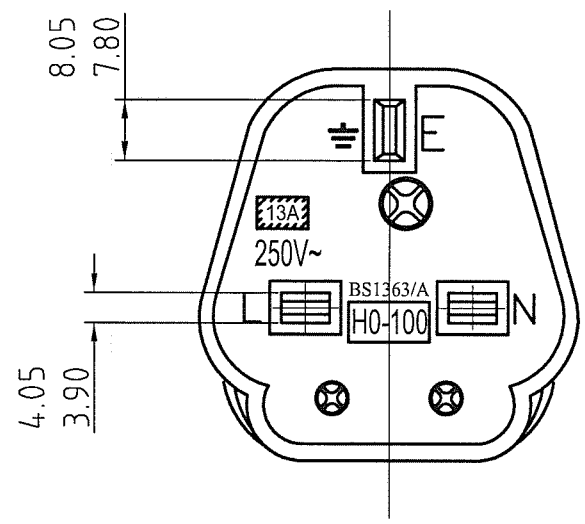
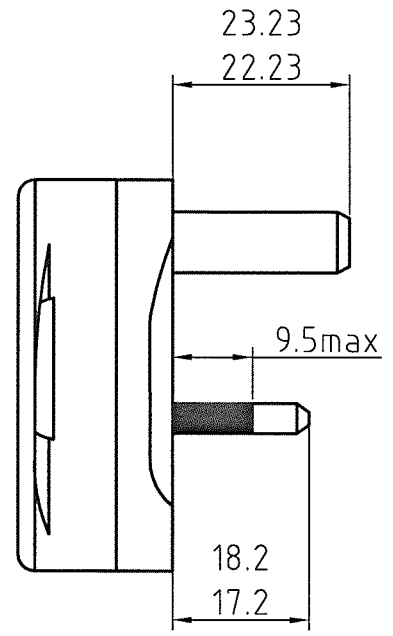
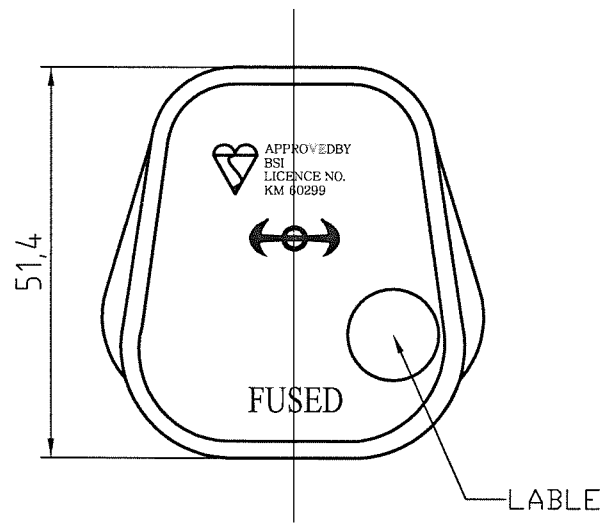
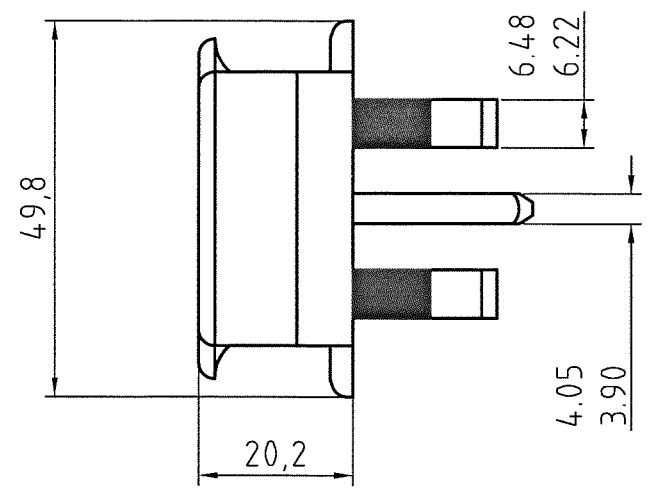
LIAN DUNG
ELECTRIC WIRE MATERIAL CO.,LTD.
 聯東電線材料股份有限公司

FITTED WITH
BS 1362
3 A FUSE

FITTED WITH
BS 1362
5 A FUSE

FITTED WITH
BS 1362
13 A FUSE

TABLE SCALE 2:1



PART	DESCRIPTION	DATE	DRAWER	葉惠菁	DATE	13/07/10	TITLE	LT-327
1.			APPROVE	林惠菁	REV.	3	Dr.No.	C327001
2.					比例	1:1	TOL.	±1.2mm
3.							ALL DIMENSIONS IN mm	



LIAN DUNG
ELECTRIC WIRE MATERIAL CO.,LTD.
聯東電線材料股份有限公司



By Royal Charter

Kitemark™ Certificate

This is to certify that:

Bo Luo Chang Le Metal Plastic Co., Ltd.
Chen Cun Village
Hu Zhen Town
Bo Luo
HuiZhou
Guangdong
516139
China

Holds Certificate Number:

KM 60299

In respect of:

**BS 1363 Parts 1-5
Plugs, Socket-outlets, Adaptors and Fused Connection units.**

This issues the right and licence to use the Kitemark in accordance with the Kitemark Terms and Conditions governing the use of the Kitemark, as may be updated from time to time by BSI Assurance UK Ltd (the "Conditions"). All defined terms in this Certificate shall have the same meaning as in the Conditions.

The use of the Kitemark is authorized in respect of the Product(s) detailed on this Certificate provided at or from the above address.

For and on behalf of BSI:


Chris Lewis - Certification Director, Product Certification

First Issued: 2003-09-01

Effective Date: 2019-09-03

Latest Issue: 2019-09-03

Expiry Date: 2022-09-02



Page: 1 of 2

...making excellence a habit.™

This certificate has been issued by and remains the property of BSI Assurance UK Ltd, Kitemark Court, Davy Avenue, Knowlhill, Milton Keynes MK5 8PP, UK. Registered in England under number 7805321 at 389 Chiswick High Road, London W4 4AL, United Kingdom and should be returned immediately upon request. To check its validity telephone +86 21 23160200. An electronic certificate can be authenticated [online](#).

Contact: BSI Management Systems Certification (Beijing) Company Limited, Shanghai Branch, 1006-1008, 10/F, Ciro's Plaza, 388 Nanjing Rd. (W), Shanghai, 200003, P.R. China. Tel: +86 21 23160200
A Member of the BSI Group of Companies.

Kitemark™ Certificate

No. KM 60299

The affixing of the Kitemark and the words 'Approved by BSI Licence No KM 60299' signify that the 13 A plugs detailed on this Kitemark Licence are approved by BSI within the meaning of the Statutory Instrument No 1768 1994 being the 'The Plug and Socket etc. (Safety) Regulations 1994'.

Approval remains in force concurrent with the expiration date of this Kitemark licence.

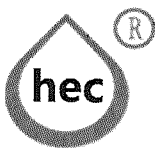
It is a condition of approval that the Licensee maintains strict compliance with the requirements of both the Plug and Socket etc. (Safety) Regulations 1994 and the Kitemark Licence Conditions of Contract.

Group 1: Rewireable 13 A plugs to BS 1363-1:2016 + A1:2018			
Type	Rating	Colour	Reference Report
HO-100	250 V (Rough use)	PBT, any colour including black.	241/4423110, 241/4448313, 241/4413818, 241/4455603, 241/4473336, 241/241/4658880, 7962079 (factory relocation) & 8079230 (A4).
HO-100	250 V (Rough use)	Black, white or grey PP (polypropylene).	7763474, 7962079 (factory relocation) & 8079230 (A4).
HEC-168	250 V (Rough use)	Black, white or grey.	241/7391903, 241/7447129, 7962079 (factory relocation) & 8079230 (A4).
HEC-188 (push-fit cord anchorage)	250 V (Rough use)	Black, white or grey.	8814232

Additional reference report(s): 8243859, all models, addition of alternate plug pin chamfers and cord anchorage screws.

The certified plugs detailed above may be factored under the 'CBQ' brand name.

Manufacturer's logos



First Issued: 2003-09-01

Latest Issue: 2019-09-03

Effective Date: 2019-09-03

Expiry Date: 2022-09-02

Page: 2 of 2

This certificate has been issued by and remains the property of BSI Assurance UK Ltd, Kitemark Court, Davy Avenue, Knowlhill, Milton Keynes MK5 8PP, UK. Registered in England under number 7805321 at 389 Chiswick High Road, London W4 4AL, United Kingdom and should be returned immediately upon request. To check its validity telephone +86 21 23160200. An electronic certificate can be authenticated [online](#).

Contact: BSI Management Systems Certification (Beijing) Company Limited, Shanghai Branch, 1006-1008, 10/F, Citros Plaza, 388 Nanjing Rd. (W), Shanghai, 200003, P.R. China. Tel: +86 21 23160200
A Member of the BSI Group of Companies.