
	DATE	12-12-2022	<b>SPECIFICATION</b>	ChangZhou Cre-Sound Electronics Co.,Ltd.
	PAGE	1/9		www.cre-soundbuzzer.com
	Rev.	A/1		www.wj-lianhua.com
	<i>MODEL NAME: LSI131340BT-08-1.05</i>			


## SPECIFICATION FOR APPROVAL MYLAR SPEAKER

Model Name	LSI131340BT-08-1.05
Note	

Product Photo	Cre-Sound
	DRAWING: 陈 栋
	CHECKED: 韦 娟
	APPROVED: 宋雪琪
<b>Customer Confirmation:</b>	

**ChangZhou Cre-Sound Electronics Co.,Ltd.**  
**Tel: +86-0519-86321175; Fax: +86-519-86702455**  
**E-mail:sales3@wj-lianhua.com**



	DATE	12-12-2022	<b>SPECIFICATION</b>	ChangZhou Cre-Sound Electronics Co.,Ltd.
	PAGE	3/9		www.cre-soundbuzzer.com
	Rev.	A/1		www.wj-lianhua.com
<b>MODEL NAME: LSI131340BT-08-1.05</b>				

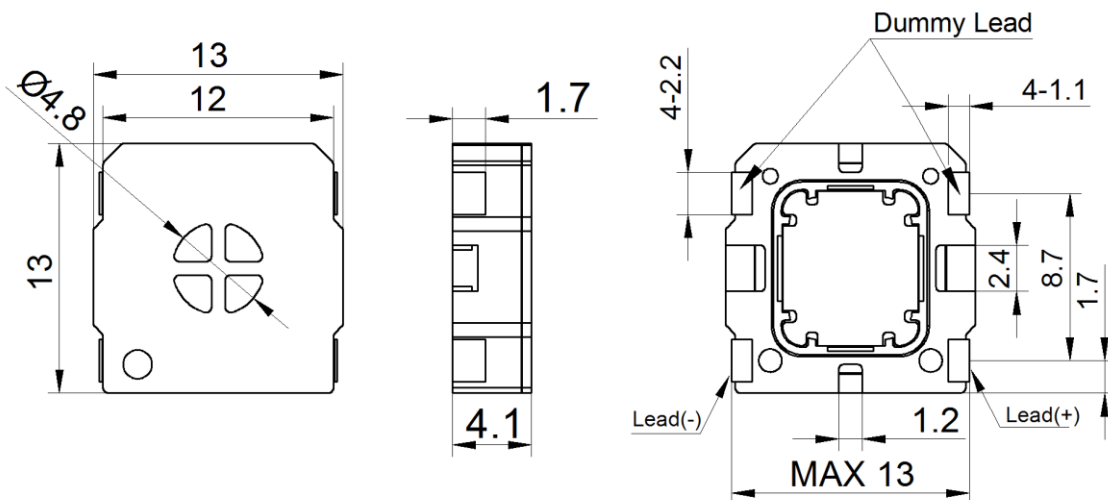
### Technical Terms:

No.	Technical terms	Value
1	Rated Power	0.7W
2	Max Input Power	1.0W
3	Rated Impedance	8Ω±20%
4	Resonance Frequency	1050 Hz±20%
5	Sound Output at 0.1m 0.7W	90±3dB at 1k,1.6k,2.0k&3.2kHz Average
6	THD at 0.7W/2.2kHz	≤10%
7	Buzzes & Rattles	Must be normal at sine wave 2.37Vrms
8	Operating Temperature	-30~+85℃
9	Storage Temperature	-40~+105℃
10	Weight	1.2g
11	RoHS	Yes


Test Basic State: Temp(20±2℃),Humidity(40~70%RH),Air pressure(860~1060hPa).

### DIMENSIONS (UNIT: mm)

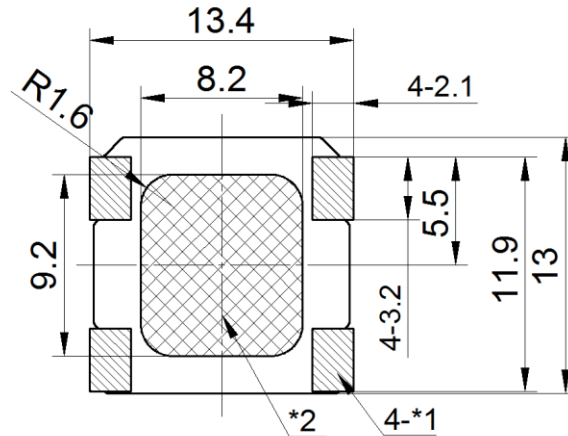
Tolerance: ±0.5mm Except Specified



**ChangZhou Cre-Sound Electronics Co.,Ltd.**  
**Tel: +86-0519-86321175; Fax: +86-519-86702455**  
**E-mail:sales3@wj-lianhua.com**


	DATE	12-12-2022	<b>SPECIFICATION</b>	ChangZhou Cre-Sound Electronics Co.,Ltd.
	PAGE	4/9		www.cre-soundbuzzer.com
	Rev.	A/1		www.wj-lianhua.com
<i>MODEL NAME: LSI131340BT-08-1.05</i>				

### Recommended Land Pattern Dimensions

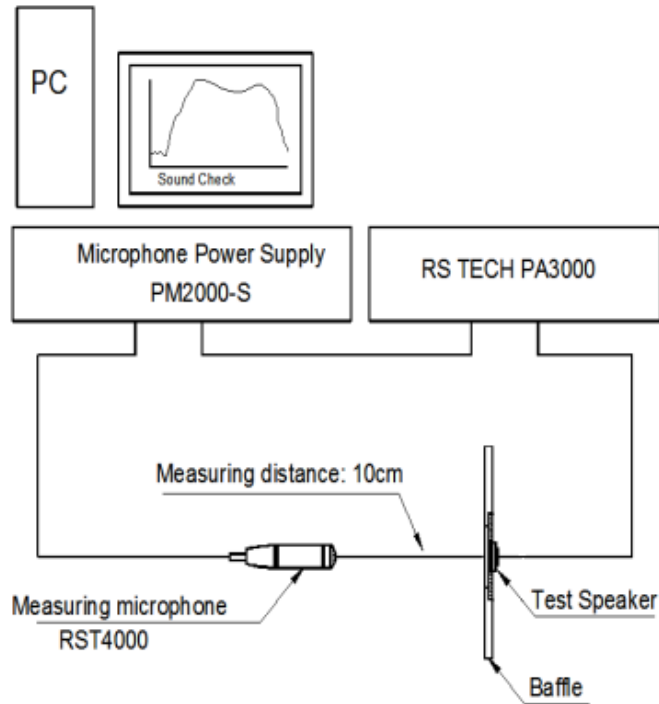


#### NOTE

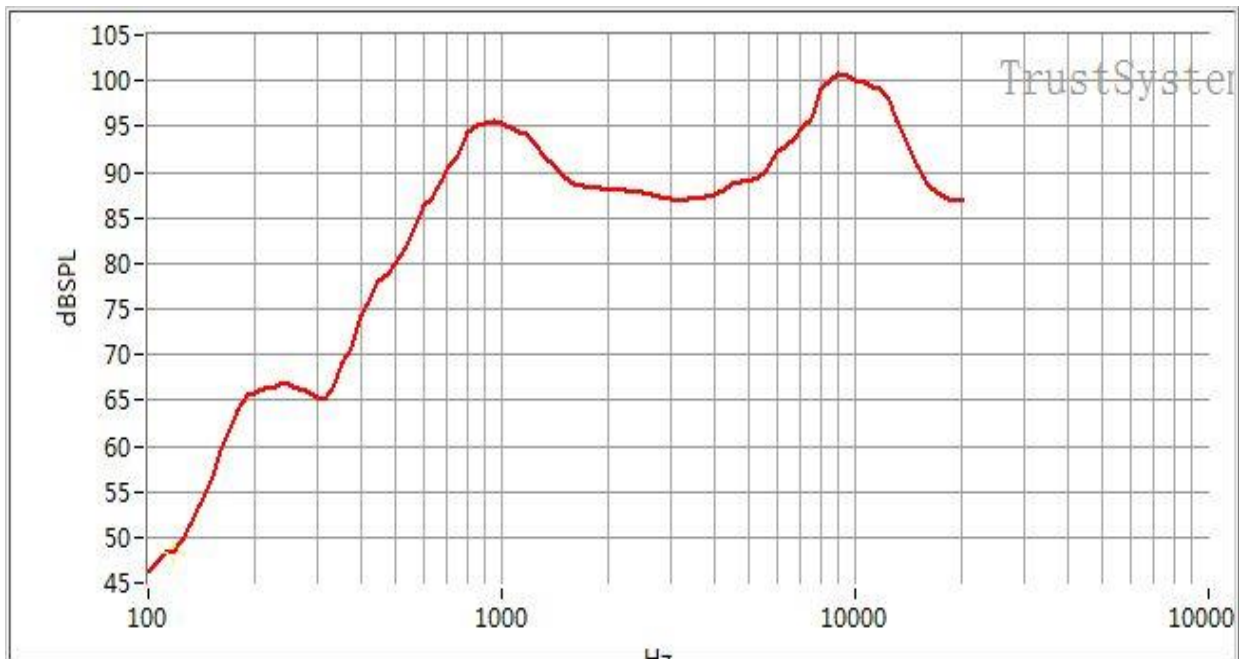
- 1.Land pattern\*1
  - 2.Avoid any pattern on the shade area
- \*2 of PC board is highly recommended


	DATE	12-12-2022	<b>SPECIFICATION</b>	ChangZhou Cre-Sound Electronics Co.,Ltd.
	PAGE	5/9		www.cre-soundbuzzer.com
	Rev.	A/1		www.wj-lianhua.com
<b>MODEL NAME: LSI131340BT-08-1.05</b>				

**TEST METHOD:**

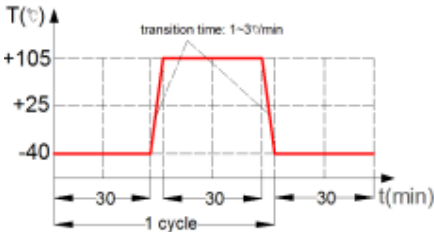
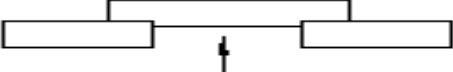


**FREQUENCY RESPONSE: (0.1m 0.7W)**




	DATE	12-12-2022	<b>SPECIFICATION</b>	ChangZhou Cre-Sound Electronics Co.,Ltd.
	PAGE	6/9		www.cre-soundbuzzer.com
	Rev.	A/1		www.wj-lianhua.com
<b>MODEL NAME: LSI131340BT-08-1.05</b>				

### RELIABILITY TEST:

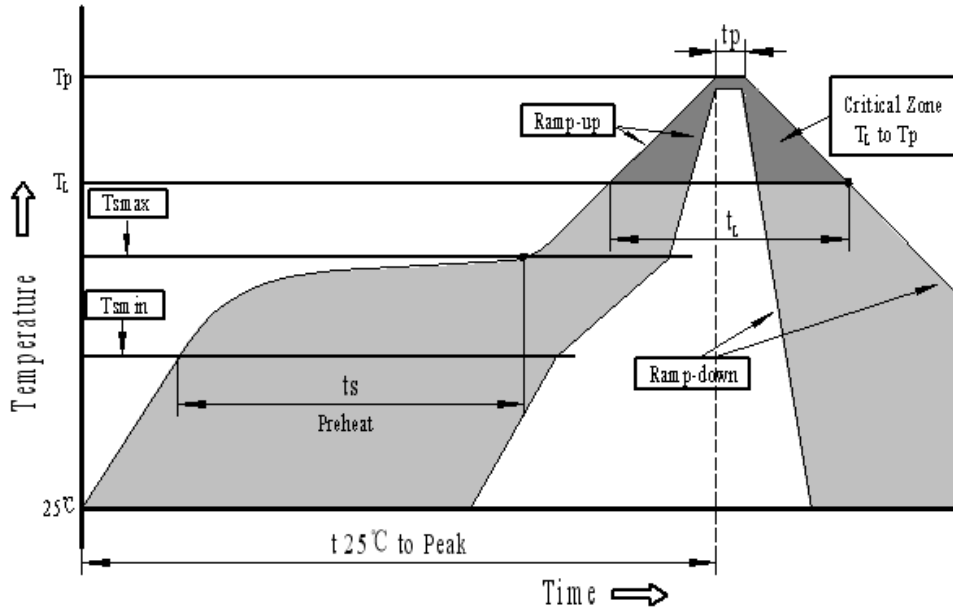
No.	Item	Test condition	Evaluation standard
1	High temp.	+105±2°C for 96hrs	After being placed for 2 to 4hrs at room temp, the product shall meet specifications,except the SPL should be in ±5dB compared with initial one; F0 should be in ±20%Hz compared with initial one.
2	Low temp.	-40±2°C for 96hrs	
3	Humidity	40±5°C, 93(+2/-3)%RH, for 96hrs	
4	Temperature cycling	<p style="text-align: center;">5 cycles</p> 	After the test, the product shall meet specifications.
5	Vibration test	1.52mm amplitude, sweep time is 1 minute with 10 to 55Hz and 55 to 10Hz of vibration frequency to each of 3 perpendicular directions for 2 hrs.	
6	Drop test	The product shall be dropped from the height of 70cm onto 10mm thick wooden board each 3 times in 3 axial directions(x,y&z) (a total of 9 times).	
7	Lead pull	<p>The product shall be pushed with a force of 9.8N for 10±1 seconds behind the part.</p> 	After the test,the product shall meet specifications without any degradation in appearance and performance.
8	Endurance test	Rated power, pink noise for 96hrs	After being placed for 2 hrs at room temp, the product shall meet specifications,except the SPL should be in ±5dB compared with initial one; F0 should be in ±20%Hz compared with initial one.
9	Max. Short Term power test	Max power, pink noise 1sec On,100sec Off 60 cycles	
10	Recommended temp. Profile for Reflow Oven	Shown in Fig.1	After the test, the product shall meet specifications

**Warranty:** For a period of one year from date of manufacturer under normal operations.

**ChangZhou Cre-Sound Electronics Co.,Ltd.**  
**Tel: +86-0519-86321175; Fax: +86-519-86702455**  
**E-mail:sales3@wj-lianhua.com**


	DATE	12-12-2022	<b>SPECIFICATION</b>	ChangZhou Cre-Sound Electronics Co.,Ltd.
	PAGE	7/9		www.cre-soundbuzzer.com
	Rev.	A/1		www.wj-lianhua.com
<b>MODEL NAME: LSI131340BT-08-1.05</b>				

### Recommended Temp. Profile for Reflow Oven (Fig.1)

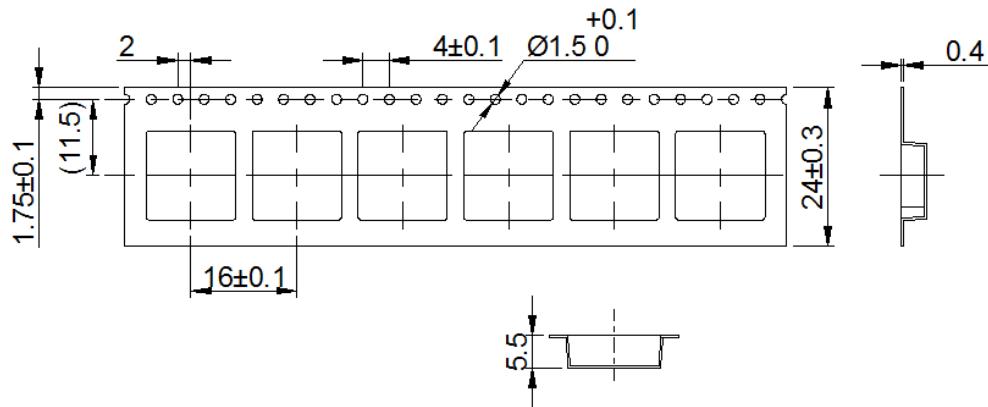


Profile Feature	Pb-Free Assembly
Average ramp-up rate( $T_L$ to $T_p$ )	3°C/second max.
Preheat	
-Temperature Min.( $T_{smin}$ )	150°C
-Temperature Min.( $T_{smax}$ )	200°C
-Temperature Min.( $t_s$ )	60~180 seconds
$T_{smax}$ to $T_L$	
-Ramp-up Rate	3°C/second max.
Time maintained above:	
- Temperature( $T_L$ )	217°C
-Time( $T_L$ )	60~150 seconds
Peak temperature( $T_p$ )	245°C+0/-5°C
Time within 5°C of actual Peak temperature ( $t_p$ )	6 seconds max.
Ramp-down Rate	6°C/second max.
Time 25°C to Peak Temperature	8 minutes max.
<b>We suggest the customer do the reflow soldering once.</b>	

**ChangZhou Cre-Sound Electronics Co.,Ltd.**  
**Tel: +86-0519-86321175; Fax: +86-519-86702455**  
**E-mail:sales3@wj-lianhua.com**

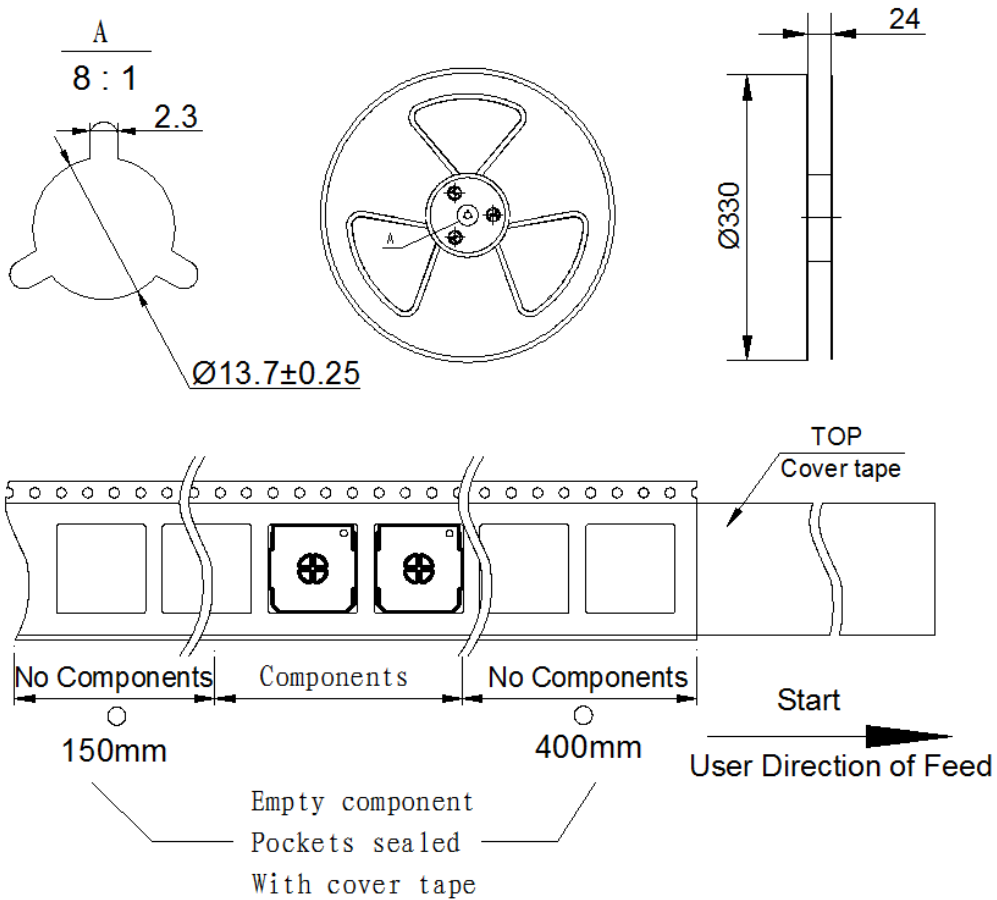
	DATE	12-12-2022	<b>SPECIFICATION</b>	ChangZhou Cre-Sound Electronics Co.,Ltd.
	PAGE	8/9		www.cre-soundbuzzer.com
	Rev.	A/1		www.wj-lianhua.com
<b>MODEL NAME: LSI131340BT-08-1.05</b>				

**PACKING:**




**NOTE:**

1. 10 sprocket hole pitch cumulative tolerance +/-0.20mm.
2. All dimensions meet EIA-481-D requirements.
3. Thickness: 0.4±0.05mm.
4. Component loaded per 13" reel: 750pcs.

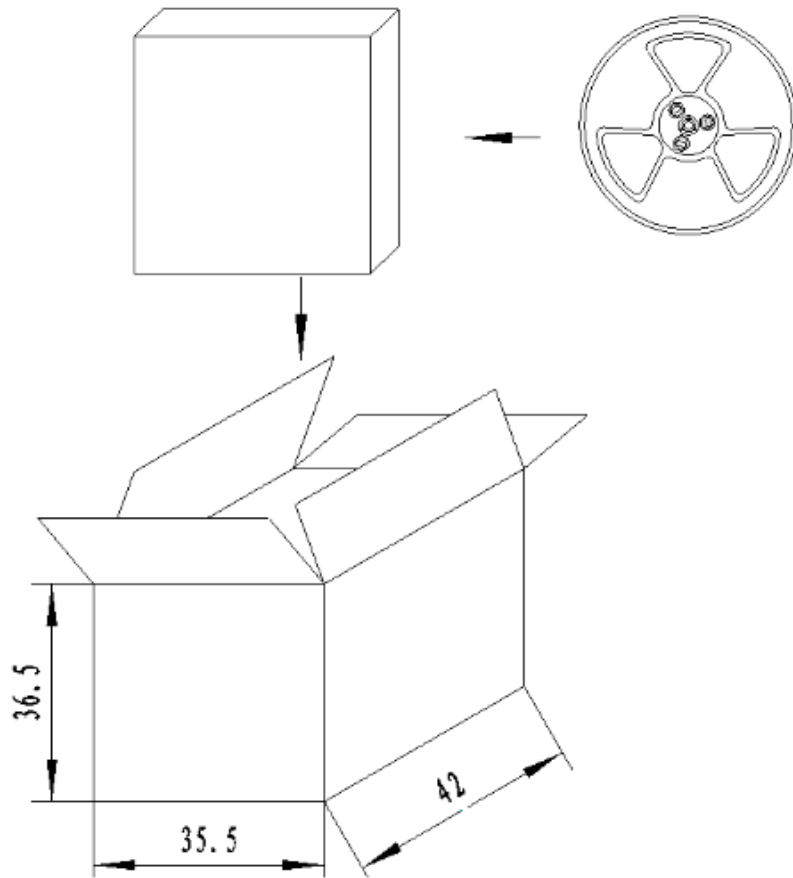


**ChangZhou Cre-Sound Electronics Co.,Ltd.**  
**Tel: +86-0519-86321175; Fax: +86-519-86702455**  
**E-mail: sales3@wj-lianhua.com**



	DATE	03-02-2023	<b>SPECIFICATION</b>	ChangZhou Cre-Sound Electronics Co.,Ltd.
	PAGE	9/9		www.cre-soundbuzzer.com
	Rev.	A/1		www.wj-lianhua.com
<i>MODEL NAME: LSI131340BT-08-1.05</i>				

**PACKING:**



**NOTES:**

- 1.750 PCS per box
- 2.Total 10 boxes per carton
- 3.Total 7500 PCS carton
- 4.Volume:42×35.5×36.5cm

**ChangZhou Cre-Sound Electronics Co.,Ltd.**  
**Tel: +86-0519-86321175; Fax: +86-519-86702455**  
**E-mail:sales3@wj-lianhua.com**