

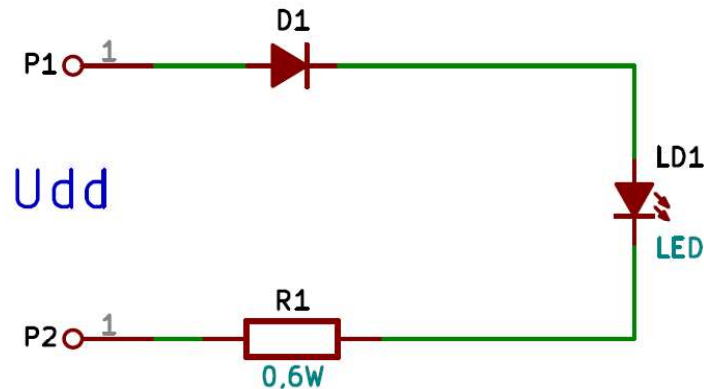
1. Product description:

The declaration is concerned about LED signal lamps produced for a number of voltage ranging 24V-AC - 230V-AC (24V; 30V; 48V; 60V) and 24V-DC – 220V-DC (24V; 30V; 48V; 60V). The lamps are designed for electric accessories use.

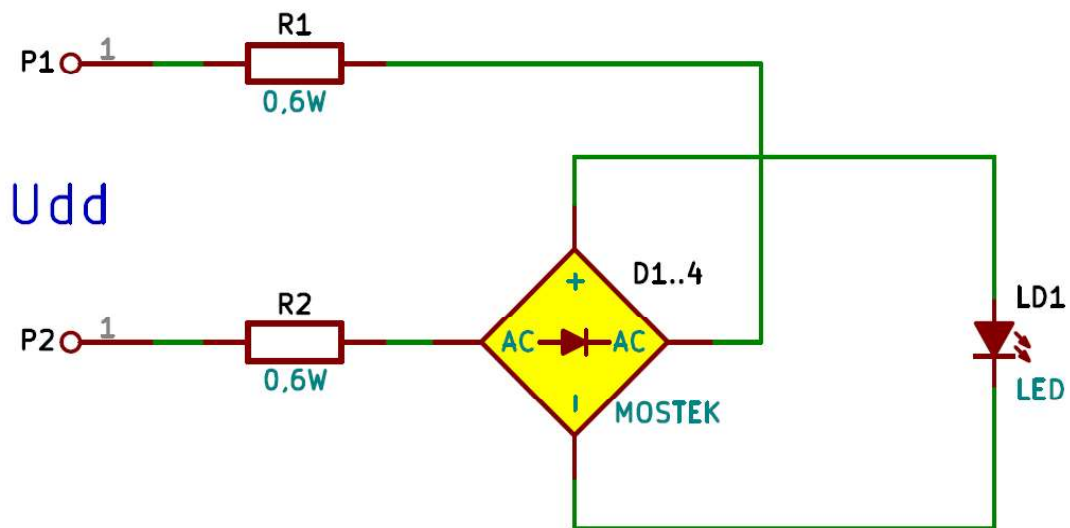
2. Technological documentation:

All the signal LED lamps are based on the following circuitry

Half-wave rectifier (standard version)



Full-wave rectifier (version for a special order with a higher price)



For 230V-AC voltage, power consumption is 0,5 W, for 24V-AC, it is 0,2 W and for 24V-DC, it is 0,5 W.

- signal lamp T6.8

