

POLAM-ELTA Sp. z o.o.

LED DIODES
LED CONTROL LAMPS

www.polamelta.com

e-mail: polamelta@polamelta.com.pl

Jerozolimskie Avenue 202
02-486 Warsaw, POLAND
tel. (+48) 22-837-22-07
fax (+48) 22-207-24-28



COMPLIANCE DECLARATION NR 1/07/2018

Producer: POLAM-ELTA Sp. z o.o.
Jerozolimskie Avenue 202
02-486 Warsaw

KRS Nr: 0000190790
REGON: 001416903

We declare with a full responsibility that **LED signal lamps $\phi 5$** we manufacture: **LB , LG , LO , LR , LY , LW , LRG , LRY , LGY , LRGB , LRGY** (parameters in accordance with catalogue data) comply requirements imposed by:

1. **Low Voltage Directive**

LVD 2014/35/UE

2. **The standard norms (relating to the particular parts of a product):**

- PN EN 612 36:2002 Works under voltage – bipolar indexes Nn
- PN-E-90500-1:2001 Wires of polyvinyl chloride insulation 450/750
- PN-80/E-85050 miniature light bulbs of general use
- PN-EN 983:2000 miniature light bulbs

The year of obtaining CE sign: 07

Warszawa 09-07-2018

.....
Place and date of issue

PREZES ZARZĄDU

Ireneusz Tonder

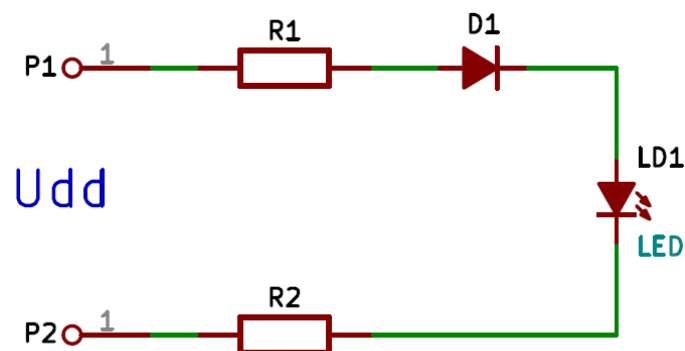
.....
*Name, position and signature of
authorized person*

1. Product description:

The declaration is concerned about LED signal lamps produced for a number of voltage ranging 24V-AC - 400V-AC (24V; 30V; 48V; 60V; 110-130V; 230V; 400V) and 24V-DC – 220V-DC (24V; 30V; 48V; 60V; 110-130V; 220V). The lamps are designed for electric accessories use.

2. Technological documentation:

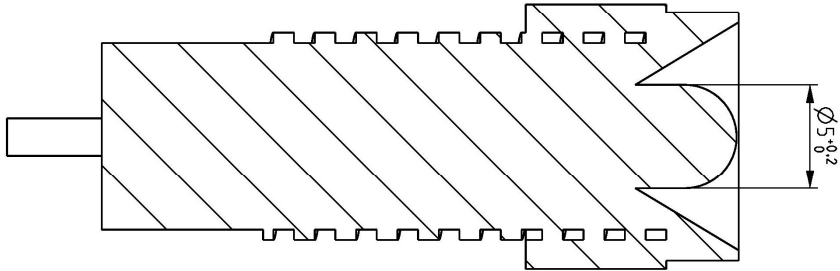
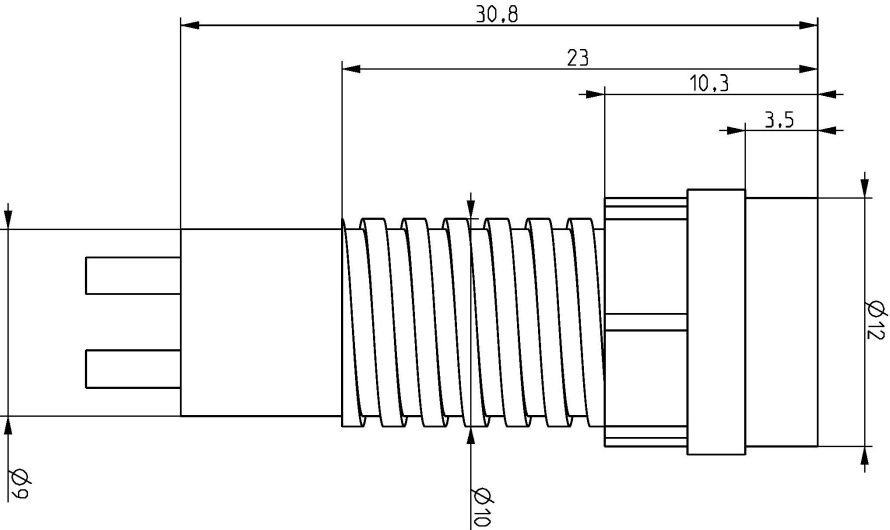
All the signal LED lamps are based on the following circuitry
Half-wave rectifier



The elements of casings are made from ABS material. Electric connections are made on glass-epoxy laminate of 1 mm ply. The main wire LGY0,5 is of 0,5 mm² section 450V / 750 V. The wires length in the standard is 30 cm. Any length of wires in the range of 0,05 – 10 m. is also possible on special order. Tightness level lamp: IP40. Ambient temperature: -40°C to +70°C.

For 230 V-AC voltage, power consumption is 0,8 W, for 24V-AC, it is 0,25 W and for 24V-DC, it is 0,5 W.

- signal lamp $\phi 5$



LED CONTROL LAMPS $\phi 5$



Technical parameters of lamps (230V-AC)

| color | luminosity (mcd) | wave length (nm) | power |
|-------------------------|------------------|------------------|-------|
| standard red [R] mat | 9 - 11 | 635 | 0,8 W |
| super red [R] mat | 260 - 300 | 630 | 0,8 W |
| super + red [R] mat | 3000 - 3500 | 628 | 0,8 W |
| green [G] mat | 550 - 650 | 530 | 0,8 W |
| standard yellow [Y] mat | 20 - 25 | 590 | 0,8 W |
| super yellow [Y] mat | 300 - 350 | 590 | 0,8 W |
| orange [O] mat | 280 - 300 | 610 | 0,8 W |
| blue [B] mat | 180 - 220 | 470 | 0,8 W |
| white [W] mat | 700 - 900 | 3000 K | 0,8 W |

mat : $201/2 = 180^{\circ}$, P = 0,8 W

Technical parameters of lamps (24V-AC/DC)

| color | luminosity (mcd) | wave length (nm) | power |
|-------------------------|------------------|------------------|--------------|
| standard red [R] mat | 25 - 28 | 635 | 0,25 / 0,5 W |
| super red [R] mat | 1000AC/2000DC | 630 | 0,25 / 0,5 W |
| super + red [R] mat | 3000AC/6000DC | 628 | 0,25 / 0,5 W |
| green [G] mat | 1450AC/3500DC | 530 | 0,25 / 0,5 W |
| standard yellow [Y] mat | 50 - 80 | 590 | 0,25 / 0,5 W |
| super yellow [Y] mat | 750AC/1600DC | 590 | 0,25 / 0,5 W |
| orange [O] mat | 1200AC/2500DC | 610 | 0,25 / 0,5 W |
| blue [B] mat | 220AC / 420DC | 470 | 0,25 / 0,5 W |
| white [W] mat | 3000AC/6000DC | 3000 K | 0,25 / 0,5 W |

mat : $201/2 = 180^{\circ}$, P = 0,25 W / 0,5 W