

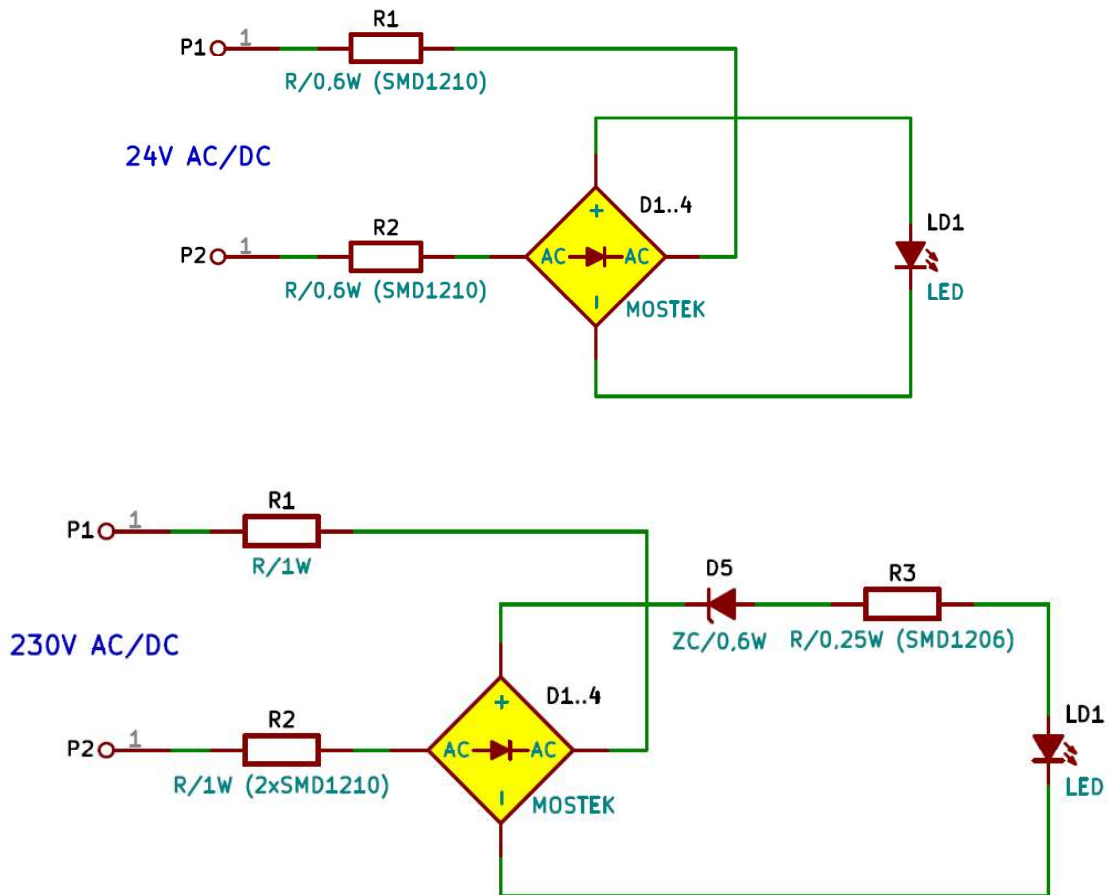
1. Product description :

The declaration is concerned about LED signal lamps produced for a number of voltage ranging 24V-230V – AC (24 V; 30 V; 48V; 60V; 110V-130V; 220V; 230V). The lamps are designed for electric accessories use.

2. Technological documentation:

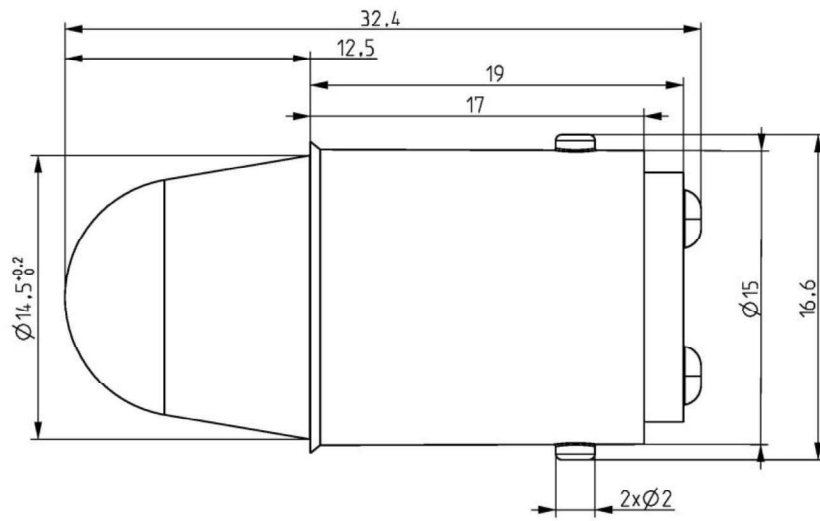
All the signal LED lamps are based on the following circuitry:

Full-wave rectifier

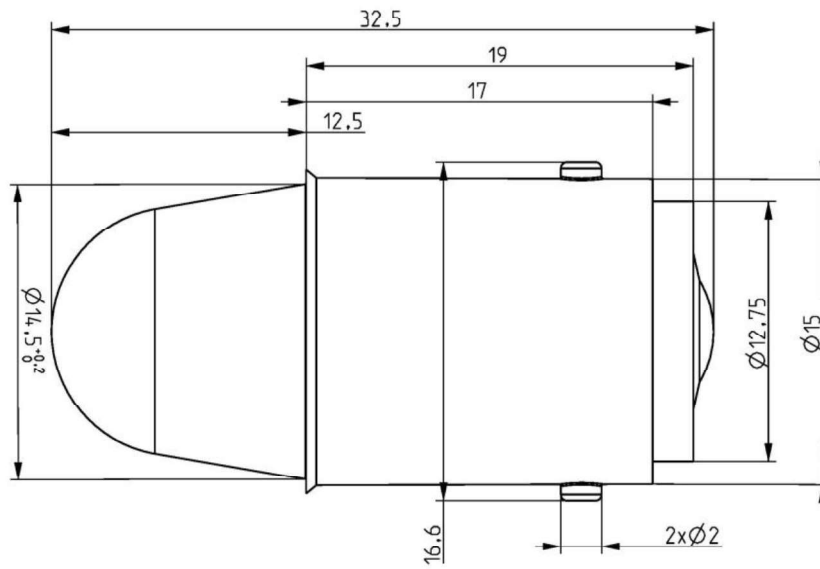


For 230V-AC/DC voltage, power consumption is 1 W and for 24V-AC/DC it is 0,5 W.

- signal lamp BA15D



- signal lamp BA15S



LED controls lamps BA15D i BA15S



Technical parameters of lamps (24V-AC/DC)

color	luminosity (mcd)	wave lenght (nm)	power
red [R] mat	9000-10000	630	0,5 W
green [G] mat	10000-14000	530	0,5 W
yellow [Y] mat	6000-8000	590	0,5 W
orange [O] mat	6000-8000	610	0,5 W
blue [B] mat	3000-4000	470	0,5 W
white	10000-14000	4500 K	0,5 W

Technical parameters of lamps (230V-AC/DC)

color	luminosity (mcd)	wave lenght (nm)	power
red [R] mat	7000-8000	630	1 W
green [G] mat	4000-6000	530	1 W
yellow [Y] mat	2000-3000	590	1 W
orange [O] mat	4000-6000	610	1 W
blue [B] mat	3000-4000	470	1 W
white	3000-4000	4500 K	1 W

Update date : 01-03-2024