

LM-SAG2-X3

LUMAIRE Series led modules for medium size signage



Features

- High reliability LEDs by Samsung (5630)
- High luminous efficiency - 106 lm/W
- Wide lighting angle lens - 160°
- Intelligent Control driver (IC)
- Constant current driver (CC)
- LM80 Rated (>80% of max. light output after 5 years)
- Flame retardant RESIN body (meets UL94 V-1 flammability standard)
- Can be cut between every module
- Attached 3M double-sided adhesive tape



Applications

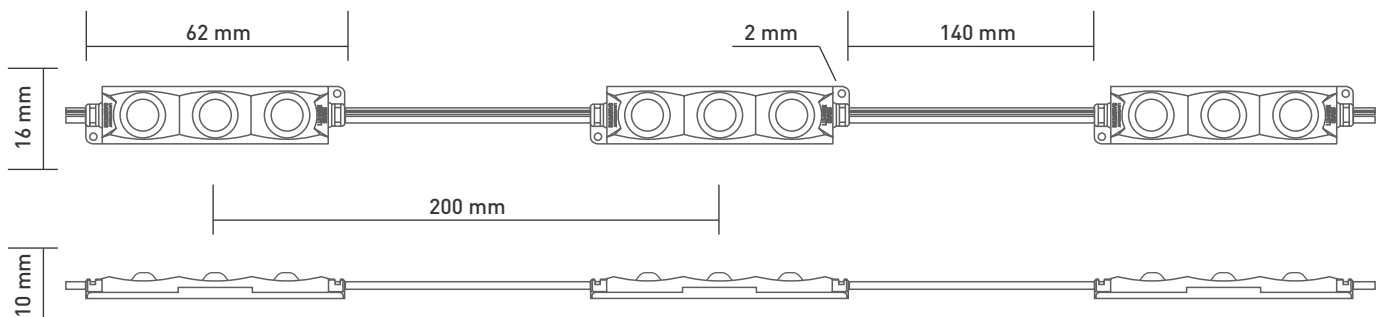
- Typically used in medium size signage
- Can depth/returns: 80 - 150 mm
- Letters with stroke width of approx. 100~150 mm
- Shallow-medium depth light boxes
- Double-sided projecting signs

Specifications

Product code	LM-SAG2-W3	LM-SAG2-B/R3
Available colours*	White	Blue/Red
Color temperature, K	6500~7000K	-
Power, W	0.8W at 12V	
Typical luminous flux, lm	85 Lm (white)	
LED Type	5630 (Samsung LED)	
Dimensions	62 x 16 x 10 mm	
Protection class	IP67 - Fully enclosed, flame retardant RESIN body	
Drivers	Intelligent Control (IC), Constant Current (CC). Dimming: available	
Working temperature, C°	-30C° ~ +50C°	
Cable length	Cable: 140 mm. Distance between centers: 200 mm	
Mounting	Double-sided adhesive tape and mounting holes	
Packaging	30 pcs/chain, 50 pcs/bag, 150 pcs/inner carton, 1800 pcs/outer carton	

*All colours from Samsung range are available by request

Technical drawing



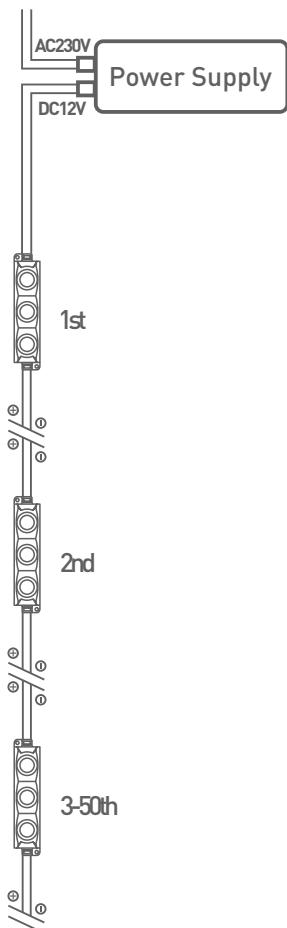
Layout recommendations

LED Module	Letter / Lightbox / Projector sign depth, mm																							
	30	40	50	60	70	80	90	100	110	120	130	140	150	160	170	180	190	200	210	220	230	240	250	
LM-SAG2-W1	◆	◆	◆	◆	◆	◆	◆	◆																
LM-SAG2-W3						◆	◆	◆	◆	◆	◆	◆	◆											
LM-SAG3-W3										◆	◆	◆	◆	◆	◆	◆	◆	◆	◆	◆	◆	◆	◆	◆
LM-SAG2R-W1						◆	◆	◆	◆	◆	◆	◆	◆	◆	◆	◆	◆	◆	◆					

Max. load per power supply, pcs.

LED Module	LPS-12V18W Power: 18W	LPS-12V60W Power: 60W	LPS-12V100W Power: 100W
LM-SAG2-W1	25	84	142
LM-SAG2-W3	19	63	104
LM-SAG3-W3	12	40	67
LM-SAG2R-W1	10	35	58

Connection In series



Connection In parallel

