

POLAM-ELTA Sp. z o.o.

LED DIODES
LED CONTROL LAMPS

www.polamelta.com

e-mail: polamelta@polamelta.com.pl

Jerozolimskie Avenue 202
02-486 Warsaw, POLAND
tel. (+48) 22-837-22-07
fax (+48) 22-207-24-28



COMPLIANCE DECLARATION NR14/07/2018

Producer: POLAM-ELTA Sp. z o.o.
Jerozolimskie Avenue 202
02-486 Warsaw

KRS Nr: 0000190790
REGON: 001416903

We declare with a full responsibility that **LED signal lamps T6.8** we manufacture:

LB , LG , LO , LR , LY , LW (parameters in accordance with catalogue data) comply requirements imposed by:

- 1. Low Voltage Directive** **LVD 2014/35/UE**
- 2. Directive on the essential requirements for the restriction of the use of certain hazardous substances in electrical and electronic equipment** **ROHS 2011/65/UE**
- 3. The standard norms (relating to the particular parts of a product):**
 - PN EN 612 36:2002 Works under voltage – bipolar indexes Nn
 - PN-80/E-85050 miniature light bulbs of general use
 - PN-EN 983:2000 miniature light bulbs

The year of obtaining CE sign: 07

Warszawa 09-07-2018

.....
Place and date of issue

PREZES ZARZĄDU

Ireneusz Tonder

.....
Name, position and signature of authorized person

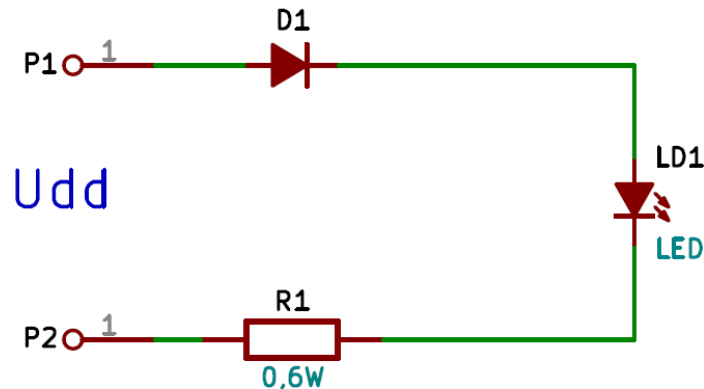
1. Product description:

The declaration is concerned about LED signal lamps produced for a number of voltage ranging 24V-AC - 230V-AC (24V; 30V; 48V; 60V) and 24V-DC – 220V-DC (24V; 30V; 48V; 60V). The lamps are designed for electric accessories use.

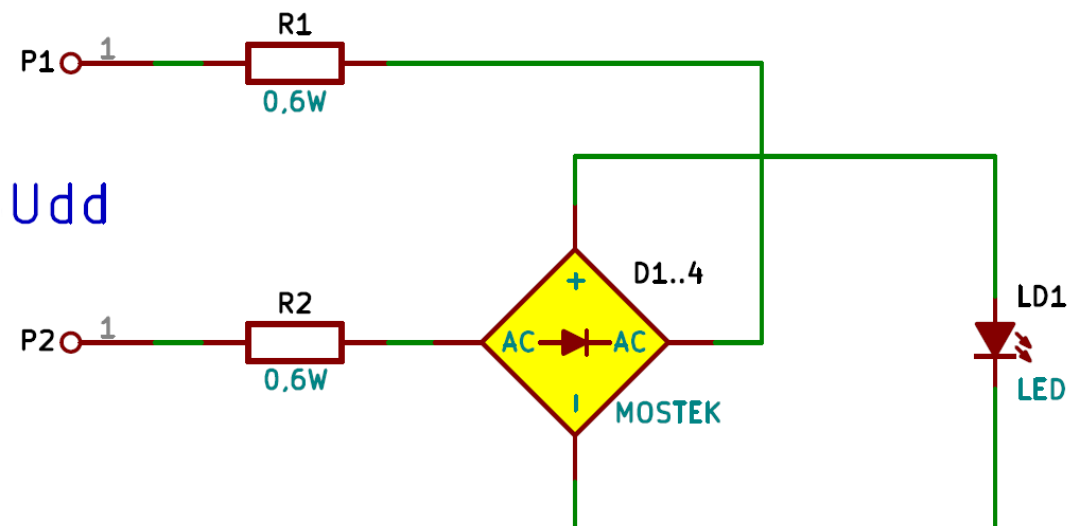
2. Technological documentation:

All the signal LED lamps are based on the following circuitry

Half-wave rectifier (standard version)



Full-wave rectifier (version for a special order with a higher price)



For 230V-AC voltage, power consumption is 0,5 W, for 24V-AC, it is 0,2 W and for 24V-DC, it is 0,5 W.

- signal lamp T6.8

