

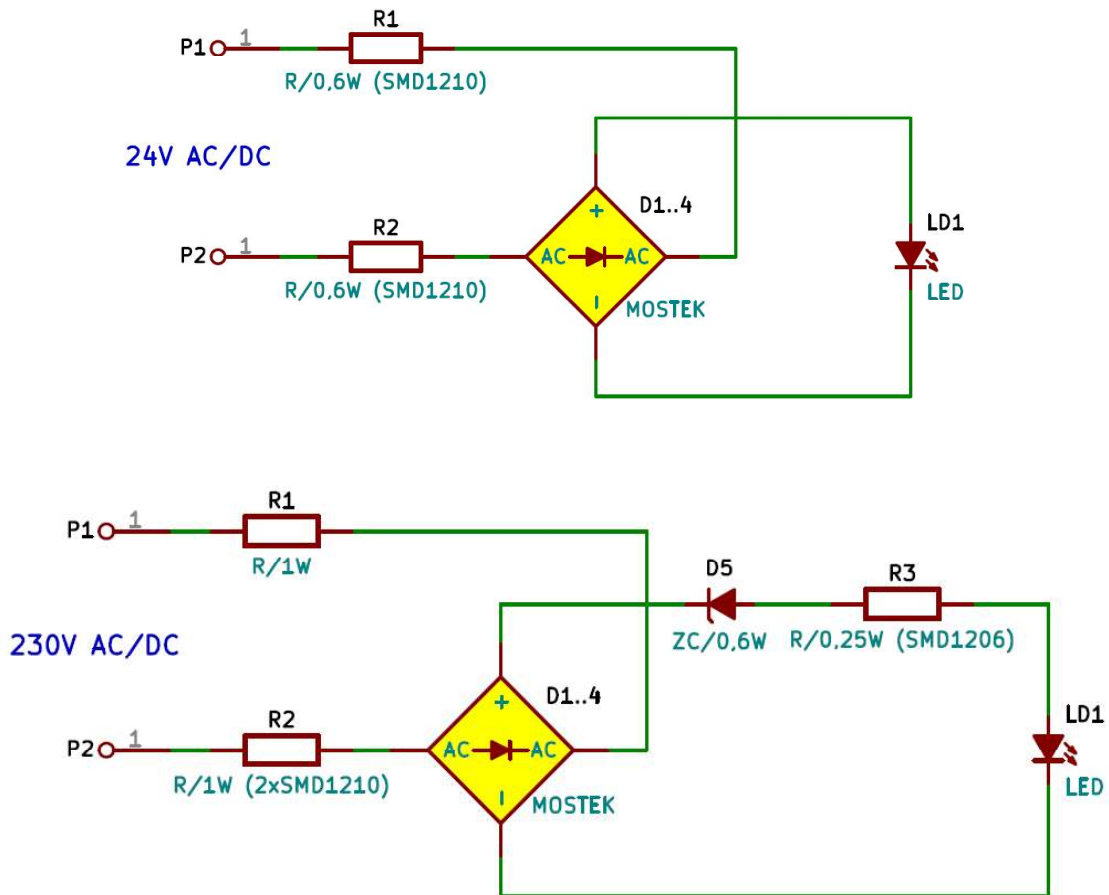
1. Product description :

The declaration is concerned about LED signal lamps produced for a number of voltage ranging 24V-230V – AC (24 V; 30 V; 48V; 60V; 110V-130V; 220V; 230V). The lamps are designed for electric accessories use.

2. Technological documentation:

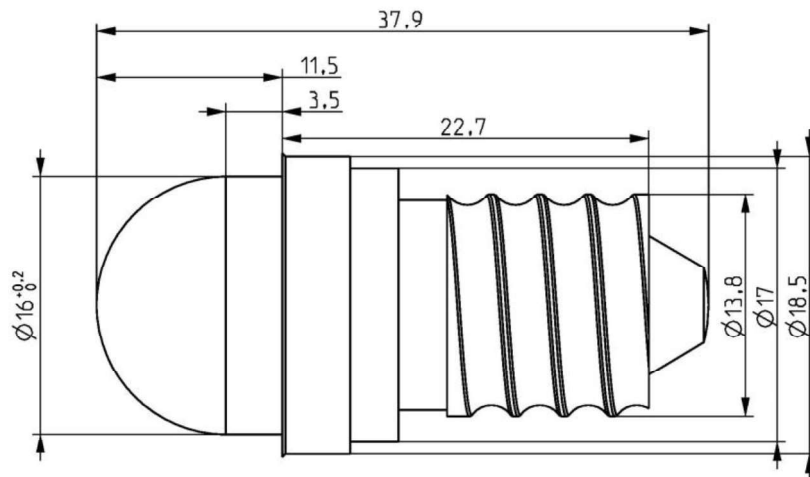
All the signal LED lamps are based on the following circuitry:

Full-wave rectifier



For 230V-AC/DC voltage, power consumption is 1 W and for 24V-AC/DC it is 0,5 W.

- signal lamp E14



LED control lamps E14



Technical parameters of lamps (24V-AC/DC)

color	luminosity (mcd)	wave length (nm)	power
red [R] mat	5500-7500	630	0,5 W
green [G] mat	7000-8000	530	0,5 W
yellow [Y] mat	5000-6000	590	0,5 W
orange [O] mat	7000-8000	610	0,5 W
blue [B] mat	2000-3000	470	0,5 W
white	7000-9000	4500 K	0,5 W

Technical parameters of lamps (230V-AC/DC)

color	luminosity (mcd)	wave lenght (nm)	power
red [R] mat	5000-6000	630	1 W
green [G] mat	4000-5000	530	1 W
yellow [Y] mat	2000-3000	590	1 W
orange [O] mat	2500-3500	610	1 W
blue [B] mat	2000-3000	470	1 W
white	4000-6000	4500 K	1 W

Update date : 01-03-2024