

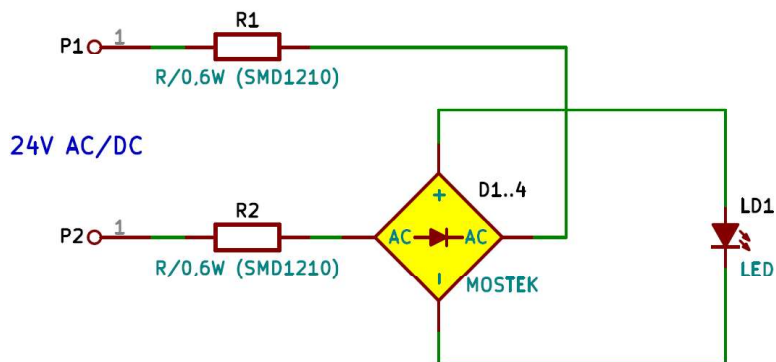
1. Product description :

The declaration is concerned about LED signal lamps produced for a number of voltage ranging 24V - 230V-AC/DC (24V; 30V; 48V; 60V; 110V-130V; 220V; 230V). The lamps are designed for electric accessories use.

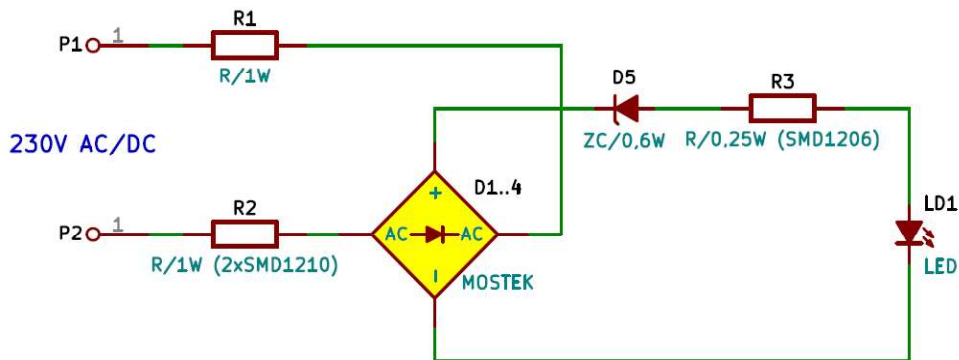
2. Technological documentation:

All the signal LED lamps are based on the following circuitry:

Full-wave rectifier (24V-AC/DC)



Full-wave rectifier (230V-AC/DC)



For 24V-AC/DC voltage, power consumption is 0,6 W and for 230V-AC/DC, it is 0,9 W.

- specialized LED bulbs BA15D

