

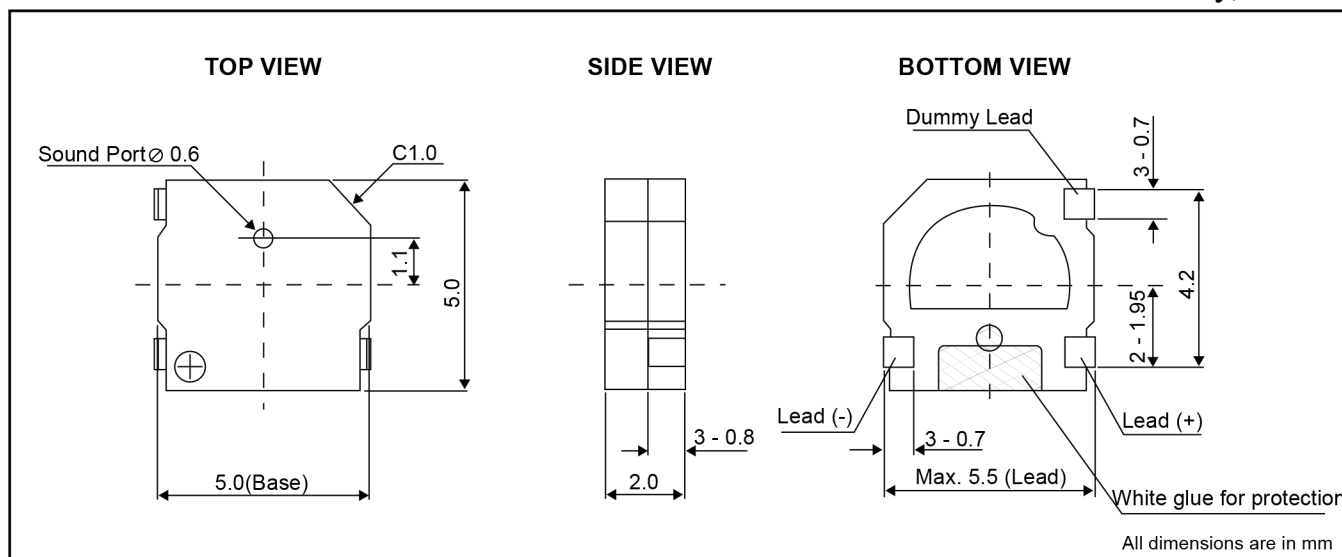
Magnetic Transducer

SMT28 series



DIMENSIONS

Date : 17 July, 2007



Ref no. : PC005HS-R
Remark : RoHS compliance

ELECTRICAL SPECIFICATIONS

Model No.	LD-BZEL-T28-0502
Operating Voltage □ □ [V]	2 ~ 4
Rated Voltage □ □ [V]	3.0
* Max. Rated Current □ [mA]	100
Coil Resistance □ [ohm]	12 +/- 20%
* Min. Sound Output □ [dBA /10cm]	78
Resonant Frequency □ [Hz]	4000
Operating Temperature □ [°C]	-30 ~ +70
Terminal	SMD
Housing Material	LCP
Colour	Black
Weight □ [gm]	0.12

* Value applying rated voltage [resonant frequency, 1/2 duty, square wave] and recommended circuit [HFE >200, min.2.5mA]