

**Driver LCO 300W 200–1400mA flexC 0-10V NF L SNC3**  
essence NFC outdoor series

New



#### Product description

- \_ Constant current LED driver
- \_ Tested acc. to salt spray test (ISO 9227)
- \_ Dimmable via 0 ... 10 V interface (incl. stand-by)
- \_ Dimming range 1 to 100 %
- \_ Adjustable output current between 200 and 1,400 mA via NFC
- \_ Max. output power 300 W
- \_ Up to 92 % efficiency
- \_ Nominal lifetime 45,000 h
- \_ 5 years guarantee

#### Housing properties

- \_ Casing: metal, black
- \_ Type of protection IP67 and IP66

#### Functions

- \_ Adjustable output current in 1-mA-steps (NFC)
- \_ AUX output
- \_ Fade-off time programmable
- \_ Configurable external temperature management (ETM)
- \_ Protective features (overtemperature, short-circuit, overload, no-load)

#### Benefits

- \_ Operating window for maximum compatibility
- \_ Added energy savings with dimming via 0 ... 10 V interface
- \_ Configurable via NFC
- \_ Tailor your dimming response with either Linear, Logarithmic or Square Dimming Curves

#### Typical applications

- \_ For parking lot, high bay, street and road applications
- \_ For linear or area lighting in industry applications

#### Website

<http://www.tridonic.com/28003560>



Spotlights



Downlights



Linear



Area



Floor | Wall



Free-standing



Street



Decorative

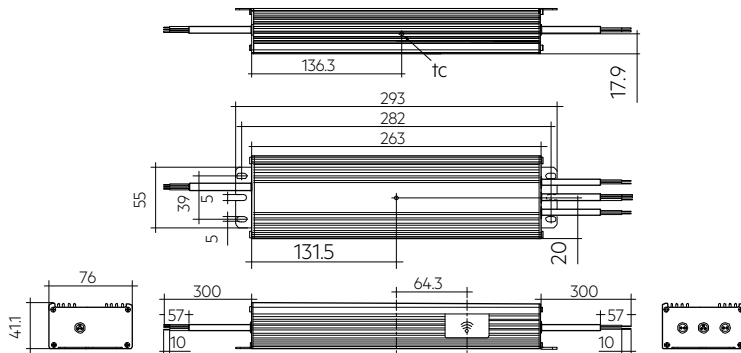


High bay

**Driver LCO 300W 200–1400mA flexC 0-10V NF L SNC3**

essence NFC outdoor series

The complete data sheet for this product is available in the Downloads section.

**Ordering data**

Type	Article number	Packaging, carton	Packaging, pallet	Weight per pc.
LCO 300/200-1400 flexC 0-10V NF L SNC3	28003560	5 pc(s).	240 pc(s).	1.6 kg

**Technical data**

Rated supply voltage	100 – 277 V
AC voltage range	90 – 305 V
Mains frequency	50 / 60 Hz
Typ. rated current (at 230 V, 50 Hz, full load) <sup>①②</sup>	1,520 mA
Leakage current (at 230 V, 50 Hz, full load) <sup>①②</sup>	< 750 $\mu$ A
Max. input power	330 W
Typ. efficiency (at 230 V, 50 Hz, full load) <sup>②</sup>	92 %
$\lambda$ (at 230 V, 50 Hz, full load) <sup>①</sup>	0.99
Typ. power consumption on stand-by <sup>③</sup>	< 0.5 W
Typ. input current in no-load operation	98 mA
Typ. input power in no-load operation	3.5 W
In-rush current (peak / duration)	214 A / 180 $\mu$ s
THD (at 230 V, 50 Hz, full load) <sup>①</sup>	< 10 %
Starting time (at 230 V, 50 Hz, full load) <sup>①</sup>	$\leq$ 500 ms
Turn off time (at 230 V, 50 Hz, full load)	< 40 ms
Hold time (power failure, full load)	< 20 ms
Output current tolerance <sup>①④</sup>	$\pm$ 5 %
Max. output current peak (non-repetitive)	$\leq$ output current + 10 %
Output LF current ripple (< 120 Hz)	$\pm$ 5 %
Output P_ST_LM (at full load)	$\leq$ 1
Output SVM (at full load)	$\leq$ 0.4
Max. output voltage (U-OUT)	500 V
Dimming range	1 – 100 %
Mains surge capability (between L - N)	6 kV
Mains surge capability (between L/N - PE)	10 kV
Surge voltage at output side (against PE)	2 kV
Type of protection	IP67 & IP66
Lifetime	up to 45,000 h
Guarantee	5 Year(s)
Dimensions L x W x H	293 x 76 x 41.1 mm

**Approval marks**

## Standards

EN 55015, EN 61000-3-2, EN 61000-3-3, EN 61347-1, EN 61347-2-13, EN 61547, EN 62384, EN 60598-1, FCC PART 15

## Specific technical data

Type	Article number	Output current <sup>①</sup>	Min. forward voltage	Max. forward voltage	Max. output power	Typ. power consumption (at 230 V, 50 Hz, full load)	Typ. current consumption (at 230 V, 50 Hz, full load)	tc point max.	Ambient temperature ta
LCO 300/200-1400 flexC 0-10V NF L SNC3	28003560	200 mA	85 V	457 V	91.4 W	105.0 W	481 mA	90 °C	-40 ... +60 °C
LCO 300/200-1400 flexC 0-10V NF L SNC3	28003560	500 mA	85 V	457 V	228.5 W	246.6 W	1,084 mA	90 °C	-40 ... +60 °C
LCO 300/200-1400 flexC 0-10V NF L SNC3	28003560	800 mA	85 V	375 V	300.0 W	317.8 W	1,391 mA	90 °C	-40 ... +60 °C
LCO 300/200-1400 flexC 0-10V NF L SNC3	28003560	1,100 mA	85 V	272 V	299.2 W	318.5 W	1,394 mA	90 °C	-40 ... +60 °C
LCO 300/200-1400 flexC 0-10V NF L SNC3	28003560	1,400 mA	85 V	214 V	299.6 W	320.7 W	1,403 mA	90 °C	-40 ... +60 °C

① Valid at 100 % dimming level.

② Depending on the selected output current.

③ With load on AUX port higher.

④ Output current is mean value.

⑤ The table only lists a number of possible operating points but does not cover each single point. The output current can be set within the total value range in 1-mA-steps.