

## Driver LC 28W 300–700mA flexC NFC SC EXC3

excite series

New



With strain-relief

**Product description**

- \_ Can be either used build-in or independent with clip-on strain-relief (see accessory)
- \_ For luminaires of protection class I and protection class II
- \_ Temperature protection as per EN 61347-2-13 C5e
- \_ Adjustable output current between 300 – 700 mA via NFC
- \_ Max. output power 28 W
- \_ Up to 86 % efficiency
- \_ Nominal lifetime up to 100,000 h
- \_ 5 years guarantee

**Housing properties**

- \_ Casing: polycarbonate, white
- \_ Type of protection IP20

**Interfaces**

- \_ Near field communication (NFC)
- \_ Terminal blocks: 45° push terminals

**Functions**

- \_ Adjustable output current in 1-mA-steps (NFC)
- \_ Constant light output function (CLO)
- \_ Protective features (overtemperature, short-circuit, overload, no-load)
- \_ Suitable for emergency escape lighting systems acc. to EN 50172

**Benefits**

- \_ Flexible configuration via companionSUITE (NFC)
- \_ Application-oriented operating window for maximum compatibility
- \_ Best energy savings due to low stand-by losses and high efficiency
- \_ In-field programming possible after installation with NFC interface

**Typical applications**

- \_ For downlight, spotlight and decorative applications

**Website**

<http://www.tridonic.com/87501027>



Spotlights



Downlights



Linear



Area



Floor | Wall



Free-standing



Street



Decorative

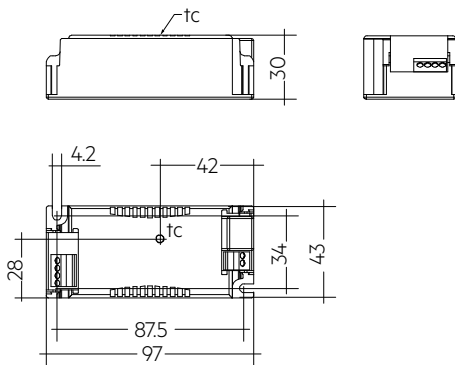


High bay

**Driver LC 28W 300–700mA flexC NFC SC EXC3**

excite series

The complete data sheet for this product is available in the Downloads section.

**Ordering data**

Type	Article number	Packaging, carton	Packaging, pallet	Weight per pc.
LC 28/300-700/42 flexC NF SC EXC3	87501027	10 pc(s).	230 pc(s).	0.094 kg

**Technical data**

Rated supply voltage	220 – 240 V
AC voltage range	198 – 264 V
DC voltage range	176 – 280 V
Mains frequency	0 / 50 / 60 Hz
Overvoltage protection	320 V AC, 48 h
Typ. rated current (at 230 V, 50 Hz, full load) <sup>①</sup>	150 mA
Leakage current (at 230 V, 50 Hz, full load) <sup>①</sup>	< 450 µA
Max. input power	32 W
Typ. efficiency (at 230 V, 50 Hz, full load) <sup>①</sup>	86 %
λ (at 230 V, 50 Hz, full load)	0.93C
λ (over full operating range)	0.4C – 0.93C
In-rush current (peak / duration)	4 A / 60 µs
THD (at 230 V, 50 Hz, full load)	< 15 %
Starting time (AC mode)	< 500 ms
Starting time (DC mode)	< 500 ms
Switchover time (AC/DC) <sup>②</sup>	< 800 ms
Turn off time (at 230 V, 50 Hz, full load)	< 50 ms
Output current tolerance <sup>③④</sup>	± 5 %
Max. output current peak (non-repetitive)	≤ output current + 20 %
Output LF current ripple (< 120 Hz)	± 5 %
Output P_ST_LM (at full load)	≤ 1
Output SVM (at full load)	≤ 0.4
Max. output voltage (U-OUT)	60 V
Mains surge capability (between L - N) <sup>⑤</sup>	1 kV
Mains surge capability (between L/N - PE)	2 kV
Burst protection	1 kV
Burst / surge peaks output side against PE	< 3 kV
Ambient temperature t <sub>a</sub>	-20 ... +50 °C
Max. casing temperature t <sub>c</sub>	75 °C
Type of protection	IP20
Lifetime	up to 100,000 h
Guarantee	5 Year(s)
Dimensions L x W x H	97 x 43 x 30 mm

**Approval marks****Standards**

EN 55015, EN 61000-3-2, EN 61000-3-3, EN 61000-4-4, EN 61000-4-5, EN 61347-1, EN 61347-2-13, EN 62384, EN 61547, according to EN 50172, according to EN 60598-2-22

**Specific technical data**

Type	Output current <sup>③</sup>	Min. forward voltage	Max. forward voltage	Max. output power	Typ. power consumption (at 230 V, 50 Hz, full load)	Typ. current consumption (at 230 V, 50 Hz, full load)
LC 28/300-700/42 flexC NF SC EXC3	300 mA	7.5 V	42 V	12.6 W	15.0 W	87 mA
LC 28/300-700/42 flexC NF SC EXC3	400 mA	7.5 V	42 V	16.8 W	19.5 W	105 mA
LC 28/300-700/42 flexC NF SC EXC3	500 mA	7.5 V	42 V	21.0 W	24.0 W	120 mA
LC 28/300-700/42 flexC NF SC EXC3	600 mA	7.5 V	42 V	25.2 W	28.5 W	135 mA
LC 28/300-700/42 flexC NF SC EXC3	666 mA	7.5 V	42 V	28.0 W	32.0 W	150 mA
LC 28/300-700/42 flexC NF SC EXC3	700 mA	7.5 V	40 V	28.0 W	32.0 W	150 mA

① Depending on the selected output current.

② Valid for immediate change of power supply type otherwise the starting time is valid.

③ Output current is mean value.

④ Test result at 25 °C.

⑤ L-N acc. to EN 61000-4-5. 2 Ohm, 1.2/50 µs, 8/20 µs.