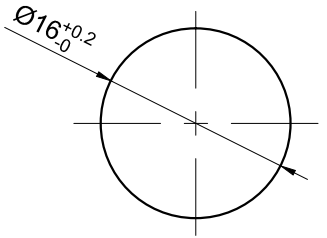
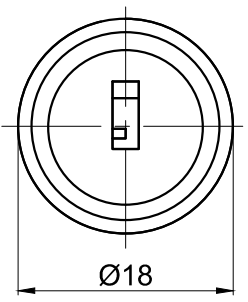
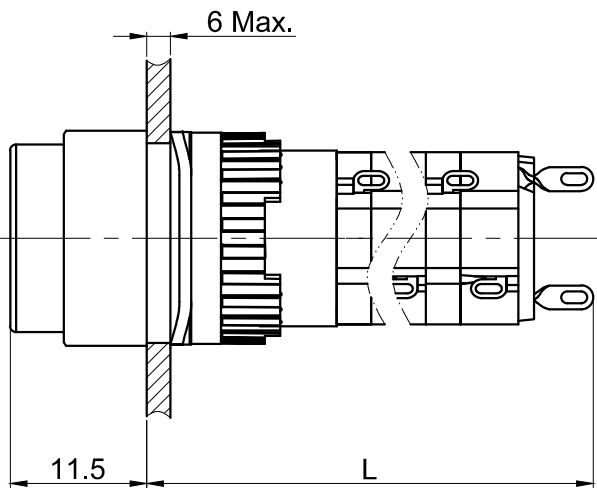
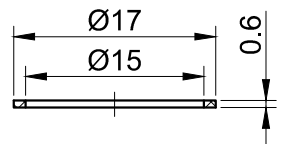


FOR 客户名称	APPROVED 客户确认签字	ATTN 销售负责人

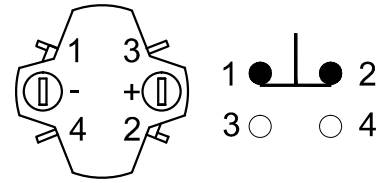


PANEL CUTOUT
MAX.PANEL THICKNESS
6mm



Seal Ring

1NO 1NC L=29
2NO 2NC L=36.5



Contact Composition
1, 2, 3, 4 are one set;
1,2 are normal closed(NC);
3,4 are normal opened(NO).

Part Number: LAS1Y- □Y/◇

"□"	Contact structure	"◇"	Operation position
11	1NO1NC	2	Two Position $\begin{matrix} L \\ R \end{matrix}$
22	2NO2NC		

SPECIFICATIONS:

- Switch Rating: AC220V/2A, DC220V/0.1A.
- Mechanical Life: ≥500,000cycles.
- Electrical Life: ≥50,000cycles.
- Contact Resistance: ≤50mΩ.
- Insulation Resistance: ≥100MΩ.
- Dielectric Strength:
Between terminals of the same pole: AC 1,500V, RMS 50Hz, 1min;
Between terminals of different pole: AC 2,000V, RMS 50Hz, 1min.
- Operating Temperature: -25°C ~ +55°C (No Freezing).
- IP Class: IP40.
- Terminal Type: Pin Terminal(2 x 0.4mm).

- MATERIALS:**
- Contact: Silver alloy.
 - Button: PC.
 - Body: PC.
 - Base: UF.

BRAND 品牌 ONPOW THESE DRAWINGS AND SPECIFICATIONS ARE THE PROPERTY OF ONPOW PUSH BUTTON MANUFACTURE CO.,LTD. AND SHALL NOT BE REPRODUCED COPIED OR USED IN ANY MANNER WITHOUT THE PRIOR WRITTEN CONSENT OF ONPOW PUSH BUTTON MANUFACTURE CO.,LTD.	红波按钮制造有限公司 ONPOW PUSH BUTTON MANUFACTURE CO.,LTD.	
	USED 用途	APPD 审核 CH 2020/05/03
	FINISH 处理	CHKD 校对 NCH 2020/05/03
	SCALE 比例 1.6 / 1	UNIT 单位 mm DR. 制图 ZPD 2020/05/03
DIMENSIONS 0.00 TO 18.00mm ±0.43mm 18.01 TO 30.00mm ±0.52mm 30.01 TO 50.00mm ±0.62mm 50.01 TO 80.00mm ±0.74mm	TOLERANCE ±0.43mm ±0.52mm ±0.62mm ±0.74mm	TITLE 名称 LAS1 Series Pushbutton Switches DWG NO. 图号 LAS1Y- Y FILE NAME 档案名称 LAS1-Y.DWG
SHEET 张 1 / 1		REV. 更改 1

SIZE
图纸 **A4**