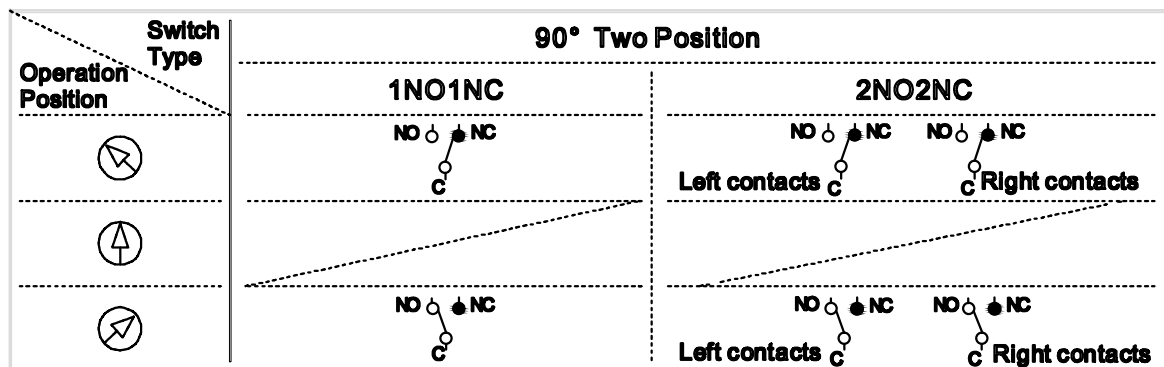
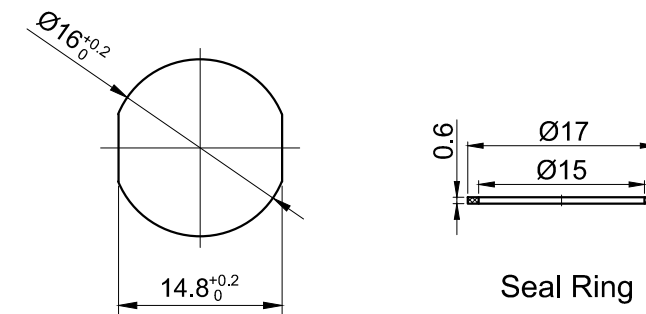


1NO1NC in this way

Contact Composition



FOR 客户名称	APPROVED 客户确认签字	ATTN 销售负责人
-------------	--------------------	---------------



Part Number: LAS1-AY-□Y/◇◆●/◎

"□"	Contact structure	"◇"	Operation position	"●"	Key-lock maintain position
11	1NO 1NC	2	Two Position $\swarrow \searrow$	A	LO OR
22	2NO 2NC	"◆"	Operation type	B	LO ● R
		1	Maintain $\swarrow \searrow$	C	● LO OR
		3	Return $\swarrow \searrow$	"◎"	IP class
				No Letter	IP40
				P	IP65

SPECIFICATIONS:

- 1.Switch Rating: AC220V/0.5A, DC110V/0.1A.
- 2.Mechanical Life: ≥200,000cycles.
- 3.Electrical Life: ≥50,000cycles.
- 4.Contact Resistance: ≤50mΩ.
- 5.Insulation Resistance: ≥100MΩ.
- 6.Dielectric Strength:
Between terminals of the same pole: AC 1,500V, RMS 50Hz, 1min;
Between terminals of different pole: AC 2,000V, RMS 50Hz, 1min.
- 7.Operating Temperature: -25℃~ +55℃(No Freezing).
- 8.IP Class: IP40,IP65(Maintain can made to order).
- 9.Terminal Type: Pin Terminal(2.8 x 0.5mm).

MATERIALS:

- 1.Contact: Silver alloy.
- 2.Body: PC.
- 3.Base: PBT.

BRAND 品牌	ONPOW	红波按钮制造有限公司 ONPOW PUSH BUTTON MANUFACTURE CO.,LTD.	
USED 用途	APPD 审核	CH	2019/06/10
FINISH 处理	CHKD 校对	NCH	2019/06/10
SCALE 比例	1.4 : 1	UNIT 单位	mm
TITLE 名称	LAS1-A Series Pushbutton Switches		
DIMENSIONS	TOLERANCE	DWG NO. 图号	SIZE 图纸
0.00 TO 18.00mm	±0.43mm	LAS1-AY-Y二位置	A4
18.01 TO 30.00mm	±0.52mm	档案名称	LAS1-A-Y.DWG
30.01 TO 50.00mm	±0.62mm	SHEET 张	1 / 1
50.01 TO 80.00mm	±0.74mm	REV. 更改	1