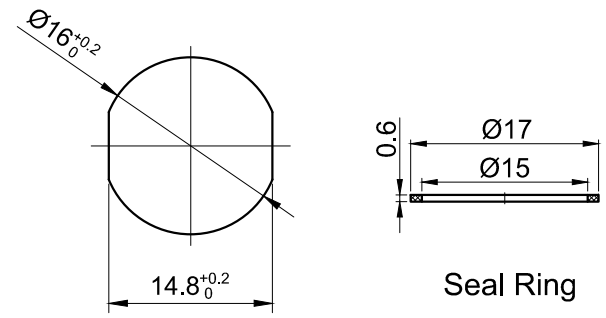
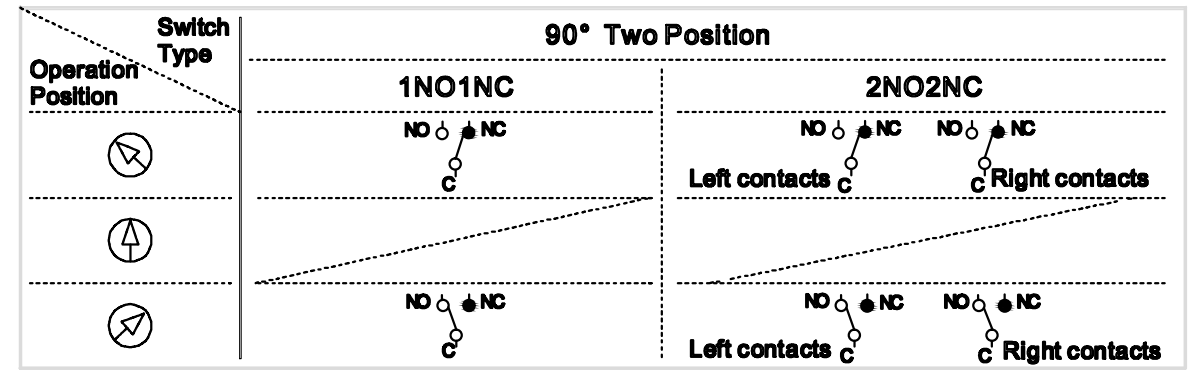


FOR 客户名称	APPROVED 客户确认签字	ATTN 销售负责人



Contact Composition



Part Number: LAS1-AJ-□Y/◇◆●/◎

□	Contact structure	◇	Operation position	●	Key-lock maintain position
11	1NO 1NC	2	Two Position L R	A	LO OR
22	2NO 2NC	◆	Operation type	B	LO ●R
		1	Maintain L R	C	● LO OR
		3	Return L R	◎	IP class
				No Letter	IP40
				P	IP65

SPECIFICATIONS:

- Switch Rating: AC220V/0.5A, DC110V/0.1A.
- Mechanical Life: ≥200,000cycles.
- Electrical Life: ≥50,000cycles.
- Contact Resistance: ≤50mΩ.
- Insulation Resistance: ≥100MΩ.
- Dielectric Strength:  
Between terminals of the same pole: AC 1,500V, RMS 50Hz, 1min;  
Between terminals of different pole: AC 2,000V, RMS 50Hz, 1min.
- Operating Temperature: -25°C ~ +55°C (No Freezing).
- IP Class: IP40, IP65 (Maintain can made to order).
- Terminal Type: Pin Terminal (2.8 x 0.5mm).

MATERIALS:

- Contact: Silver alloy.
- Body: PC.
- Base: PBT.

BRAND 品牌	ONPOW	红波按钮制造有限公司 ONPOW PUSH BUTTON MANUFACTURE CO.,LTD.	
USED 用途	APPD 审核	CH	2019/06/10
FINISH 处理	CHKD 校对	NCH	2019/06/10
SCALE 比例	1.4 : 1	UNIT 单位	mm
TITLE 名称	LAS1-A Series Pushbutton Switches		☉
DWG NO. 图号	LAS1-AJ-Y二位置		SIZE 图纸
FILE NAME 档案名称	LAS1-A-Y.DWG	SHEET 张	1 / 1
		REV. 更改	1