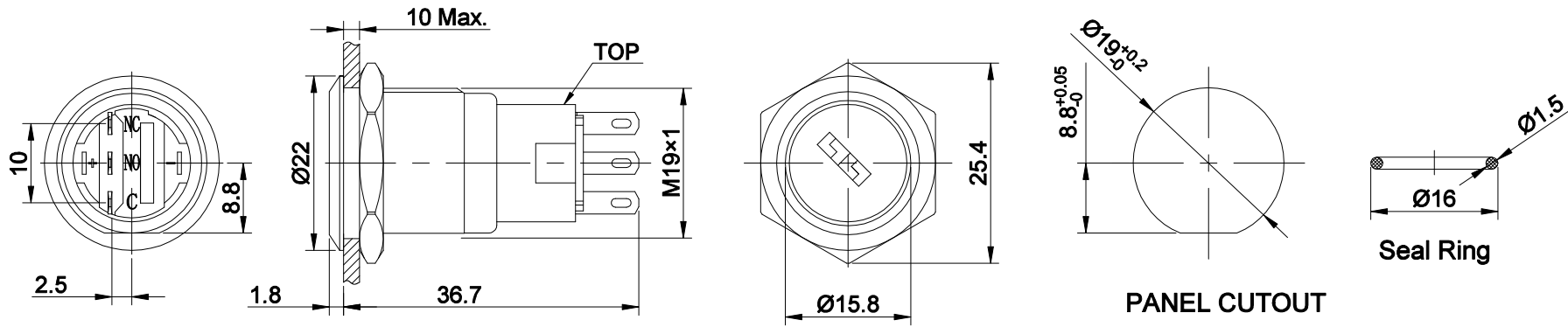


1 2 3 4 5 6 7

FOR 客户名称	APPROVED 客户确认签字	ATTN 销售负责人
TME		陈小丹



**Contact Composition**

Switch Type	90° Two Position
Operation Position	1NO1NC

NO. DZ202109Z	Original product model: LAS1-AGQ-11Y/21/A
	Custom
①	定制使用LAS1-AGQ单切边外壳(铝合金镀黑)(A21802-3-7)。
②	定制DZ-LAS1-AGQ锁芯蒙皮(不锈钢镀黑)(B0341-1-7)。

**SPECIFICATIONS:**

- 1.Switch Rating: AC220V/0.5A, DC110V/0.1A.
- 2.Mechanical Life: ≥200,000cycles.
- 3.Electrical Life: ≥50,000cycles.
- 4.Contact Resistance: ≤50mΩ.
- 5.Insulation Resistance: ≥1,000MΩ.
- 6.Dielectric Strength: 1,500V, RMS 50Hz, 1min.
- 7.Operating Temperature: -25°C~ +55°C(No Freezing).
- 8.Torque: About 0.8Nm max.applied to nut.
- 9.IP Class: IP40,IK02.
- 10.Operating requirement: 90°rotation requires, rotation in place.

**MATERIALS:**

- 1.Contact: Silver alloy.
- 2.Button: Stainless steel(black).
- 3.Body: Al alloy(black).
- 4.Base: PBT.

<b>BRAND</b> <b>ONPOW</b> <b>品牌</b> <b>欧宝龙</b>		<b>红波按钮制造有限公司</b> <b>ONPOW PUSH BUTTON MANUFACTURE CO.,LTD.</b>	
<small>THESE DRAWINGS AND SPECIFICATIONS ARE THE PROPERTY OF ONPOW PUSH BUTTON MANUFACTURE CO.,LTD. AND SHALL NOT BE REPRODUCED COPIED OR USED IN ANY MANNER WITHOUT THE PRIOR WRITTEN CONSENT OF ONPOW PUSH BUTTON MANUFACTURE CO.,LTD.</small>		<b>USED</b> 用途	<b>APPD</b> 审核 CH 2021/09/11
		<b>FINISH</b> 处理	<b>CHKD</b> 校对 NCH 2021/09/11
		<b>SCALE</b> 比例 1.2 : 1	<b>UNIT</b> 单位 mm
		<b>DR.</b> 制图 YDY 2021/09/11	
<b>DIMENSIONS</b> <b>TOLERANCE</b>		<b>TITLE</b>	
0.00 TO 3.00mm      ±0.25mm		<b>名称</b> LAS1-AGQ Series Anti-vandal push button	
3.01 TO 6.00mm      ±0.30mm		<b>FILE NAME</b>	
6.01 TO 10.00mm      ±0.38mm		<b>档案名称</b> DZ202109Z(LAS1-AGQ TME).dwg	
10.01 TO 18.00mm      ±0.43mm		<b>DWG NO.</b>	
18.01 TO 30.00mm      ±0.52mm		<b>图号</b> DZ202109Z	
30.01 TO 50.00mm      ±0.62mm		<b>SHEET</b> 1 / 1	
50.01 TO 80.00mm      ±0.74mm		<b>REV.</b> 更改	
<small>Government standard: GB/T 1800.1-2009; Grade of tolerance: IT14.</small>		<b>SIZE</b> A4	

1 2 3 4 5 6 7