



ORDERING CODE

JNR 05 S 100 L 6 5 P U5

Joyin NTC Thermistor

Element Size(disc dia.)

- 05 = 5mm 08 = 8mm
- 10 = 10 mm 13 = 13mm
- 15 = 15mm 20 = 20mm

Series

S = Inrush current limiting

Resistance of thermistor at 25°C

- 0R7 = 0.7 1R3 = 1.3 1R5 = 1.5 2R5 = 2.5
- 030 = 3 040 = 4 050 = 5 060 = 6
- 070 = 7 080 = 8 100 = 10 120 = 12
- 130 = 13 150 = 15 160 = 16 180 = 18
- 200 = 20 220 = 22 250 = 25 300 = 30
- 470 = 47 500 = 50 800 = 80 121 = 120
- 221 = 220

Tolerance

- L = ± 15%
- M = ± 20%

Lead Wire Diameter

- 6 = 0.6 ± 0.05mm
- 8 = 0.8 ± 0.05mm
- 1 = 1.0 ± 0.05mm

Lead Length & Packaging

- U4 = 24mm min. for Bulk and Kink lead
- U5 = 25mm min. for Bulk and Straight lead
- AW= Hø 16mm for Ammo and Kink lead
- AY= Hø 20mm for Ammo and Straight lead
- RW= Hø 16mm for T/R and Kink lead
- RY = Hø 20mm for T/R and Straight lead

* Special lead length & packaging per request.

Lead Style

- Y=Kink Lead
- P= Straight Lead
- * Special lead styles per request

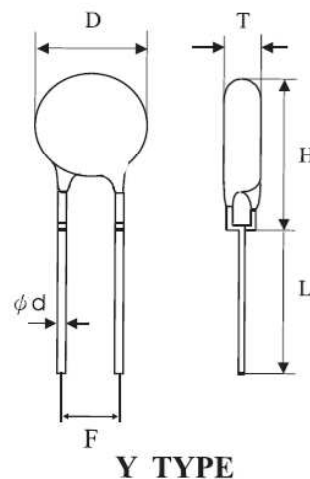
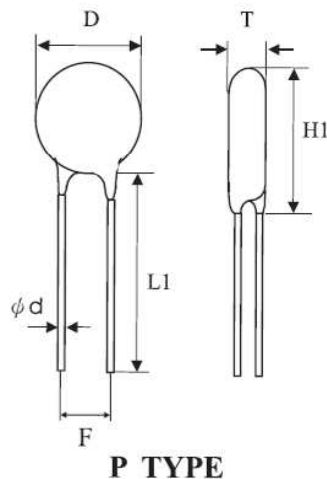
Lead Spacing

- 5=5.0mm
- 7=7.5mm
- 1=10mm

Dimension Table

unit:mm

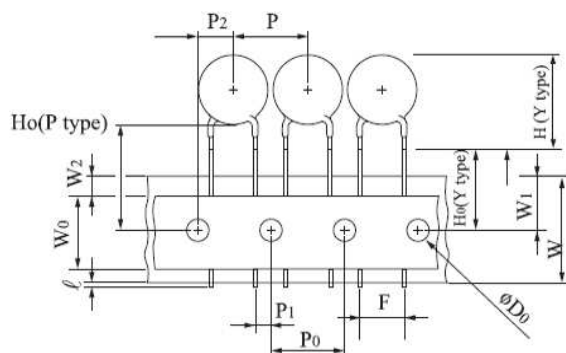
Dim(φ)	5 φ	8 φ	10 φ	13 φ	15 φ	20 φ
D max.	7.5	10.5	12.5	15.5	17.5	23.0
d±0.05	0.6/0.8	0.6/0.8	0.6/0.8	0.8/1.0	0.8/1.0	1.0
F±1.0	5.0	5.0	5.0/7.5	7.5	7.5	7.5/10.0
H max.	11.0	14.5	18.5	21.0	23.0	28.0
H1 max.	10.0	13.5	17.5	19.0	22.0	27.0
L min.	24.0	24.0	24.0	24.0	24.0	24.0
L1 min	25.0	25.0	25.0	25.0	25.0	25.0
T max.	6.0	6.0	7.5	8.0	8.0	8.0



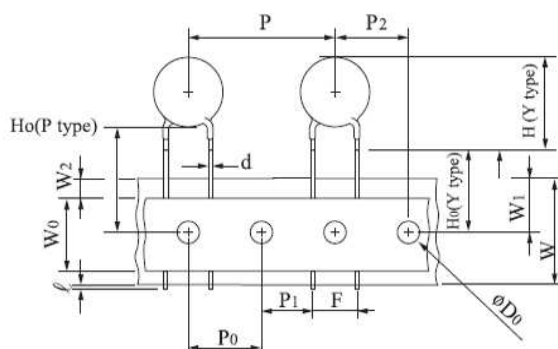


Tape and Reel Dimensions

1/2" pitch



1.0" pitch

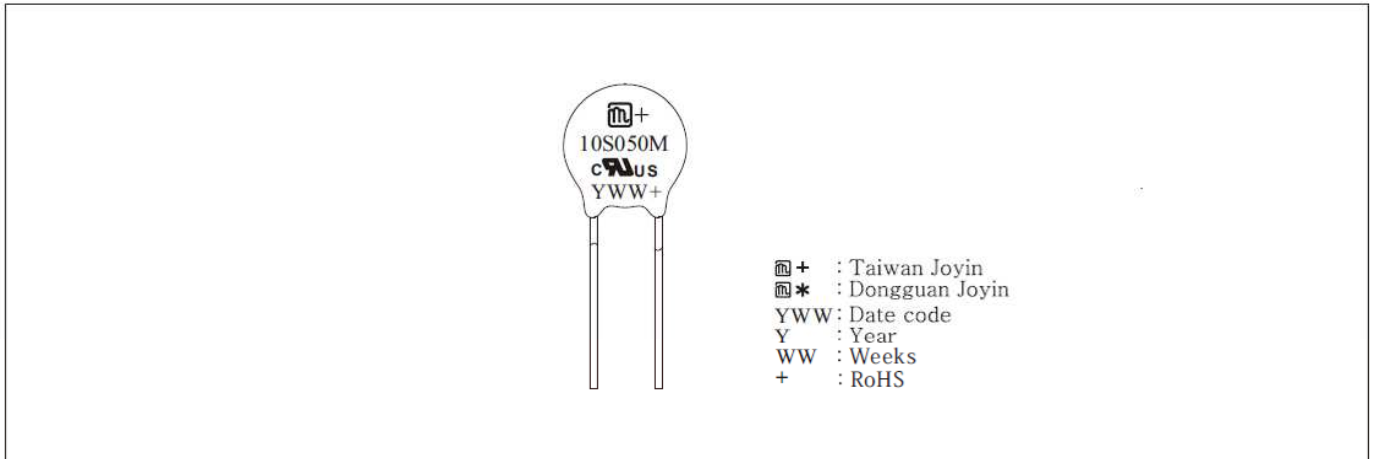


Symbols	Item	5/8/10mm	8/10/13/15/20mm	20mm
ℓ	Cut out length	1.1 mm max.	1.1 mm max.	
H (Y type)	Height of Top	See H max. table		
Ho(Y type)	Height to seating plane	16.0 ± 0.5 mm (* ± 1.0mm)	16.0 ± 0.5 mm (* ± 1.0mm)	
Ho(P type)	Height of component from hole center	16.0~21.0 mm	16.0~21.0 mm	
Δh	Front to back deviation	0 ± 2.0 mm	0 ± 2.0 mm	
W	Carrier tape width	18.0 ^{+1.0} / _{-0.5} mm	18.0 ^{+1.0} / _{-0.5} mm	
W ₀	Hold down tape width	10.0 mm	12.0 mm	
W ₁	Sprocket hole position	9.0 ^{+0.75} / _{-0.5} mm	9.0 ^{+0.75} / _{-0.5} mm	
W ₂	Adhesive tape position	3.0 mm max.	3.0 mm max.	
F	Component lead spacing	5.0 ^{+0.8} / _{-0.2} mm	7.5 ^{+0.8} / _{-0.2} mm	10.0 ^{+0.8} / _{-0.2} mm
P	Pitch of component	12.7 ± 1.0 mm	25.4 ± 1.0 mm	
P ₀	Sprocket hole pitch	12.7 ± 0.3 mm	12.7 ± 0.3 mm	
P ₁	Lead length from hole center to lead	3.85 ± 0.7 mm	8.95 ± 0.7 mm	7.7 ± 0.7 mm
P ₂	Length from hole center to disk center	6.35 ± 1.3 mm	12.7 ± 1.3 mm	
D ₀	Sprocket hole diameter	4.0 ± 0.2 mm	4.0 ± 0.2 mm	
d	Lead wire diameter	0.6 ± 0.05 mm	0.8 ± 0.05 mm	1.0 ± 0.05 mm
T	Disk thickness	See T max. table	See T max. table	
t ₁	Total thickness tape	0.7 ± 0.05 mm	0.7 ± 0.05mm	
t ₂	Total thickness	1.6 mm max.	1.8 mm max.	

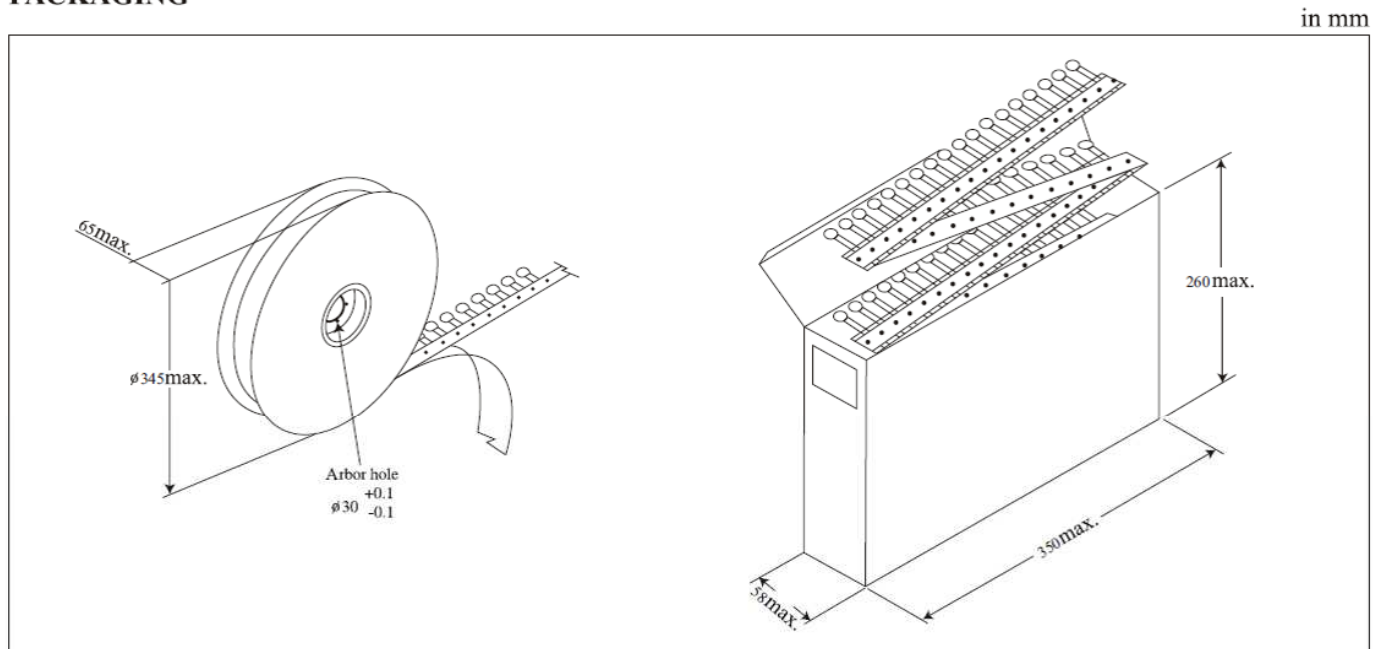
*For manual line



MARKING



PACKAGING



Quantity per Packing Unit

Diameter Packaging	5mm	8mm	10mm	13mm	15mm	20mm
Bulk (pcs/box)	5000	4000	1250-2500	750-2000	750-1500	500-750
Reel	1500	1500	750-1000	750-1000	500-750	—
Ammo	1500	1500	750-1000	750-1000	—	—

Packaging	Bulk (box)	Reel (5mm~13mm)	Reel (15mm~20mm)	Ammo (5mm,8mm)	Ammo (10mm~15mm)	Ammo (10mm~15mm)	Ammo (20mm)
Box size (mm)	290x155x110	350x350x108	350x350x74	330x240x46	343x210x52	343x260x52	343x220x58
Carton size (mm)	310x328x250	371x371x590	370x370x468	350x500x270	363x440x250	363x540x250	363x460x250
One carton with	4 Boxes	5 Boxes (10 reels)	6 Boxes(6 reels)	10 Boxes	8 Boxes	8 Boxes	8 Boxes