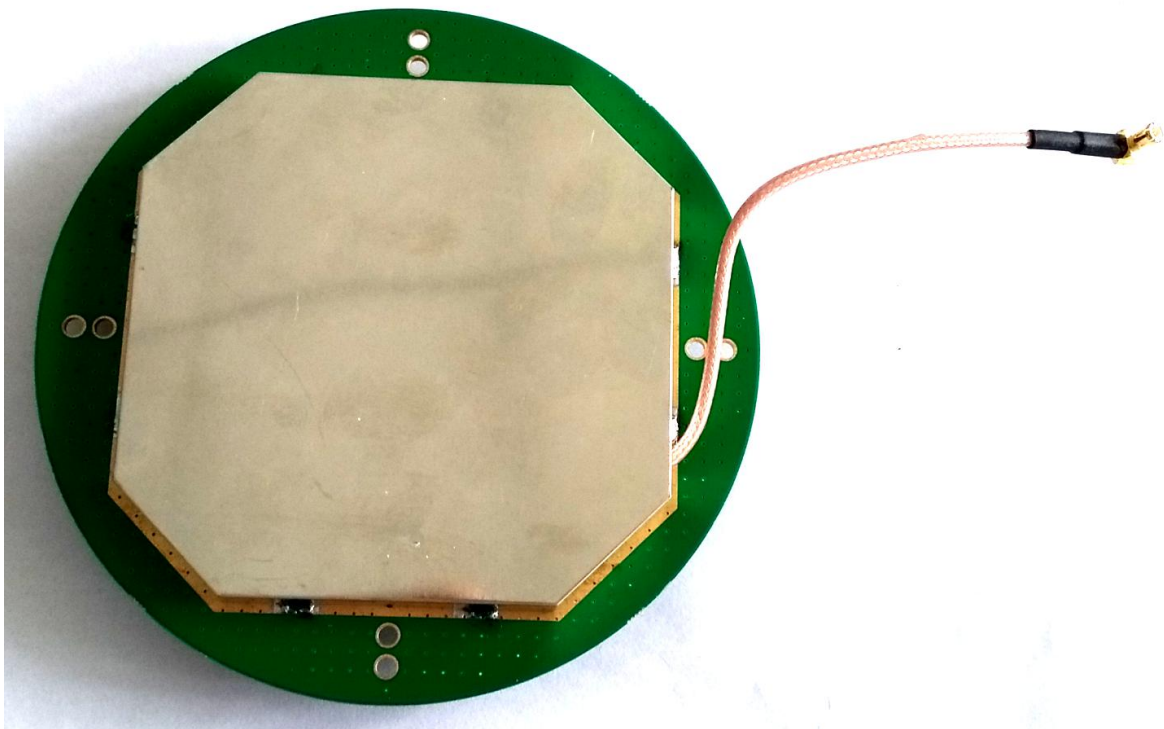
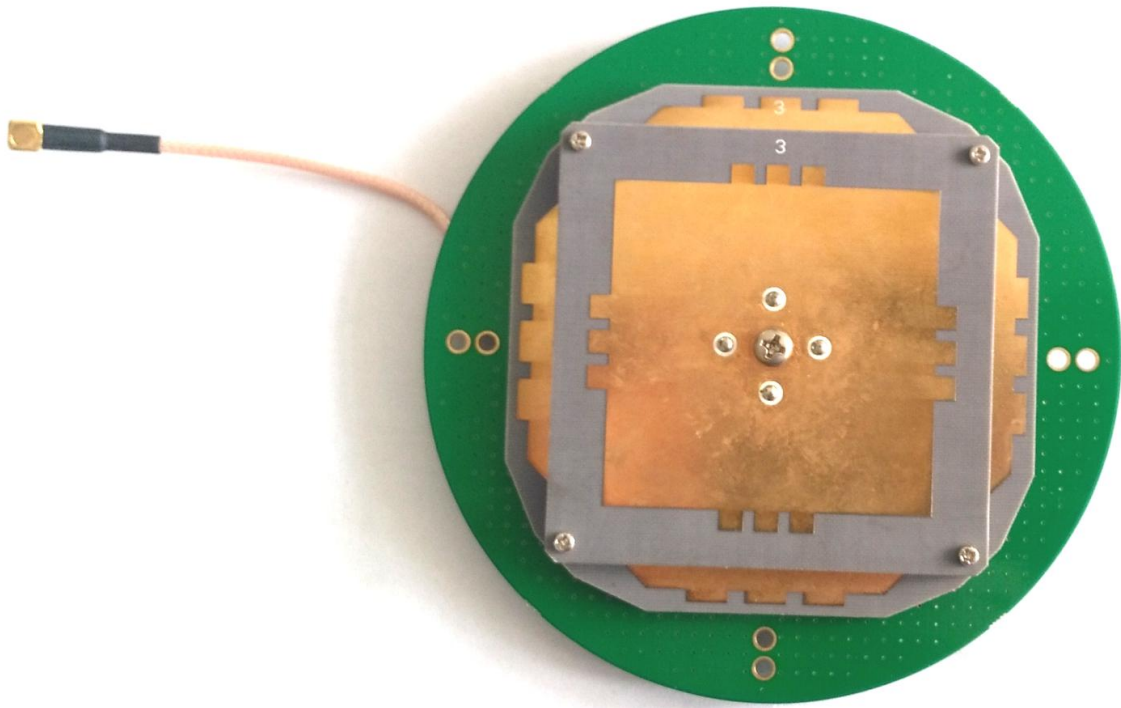
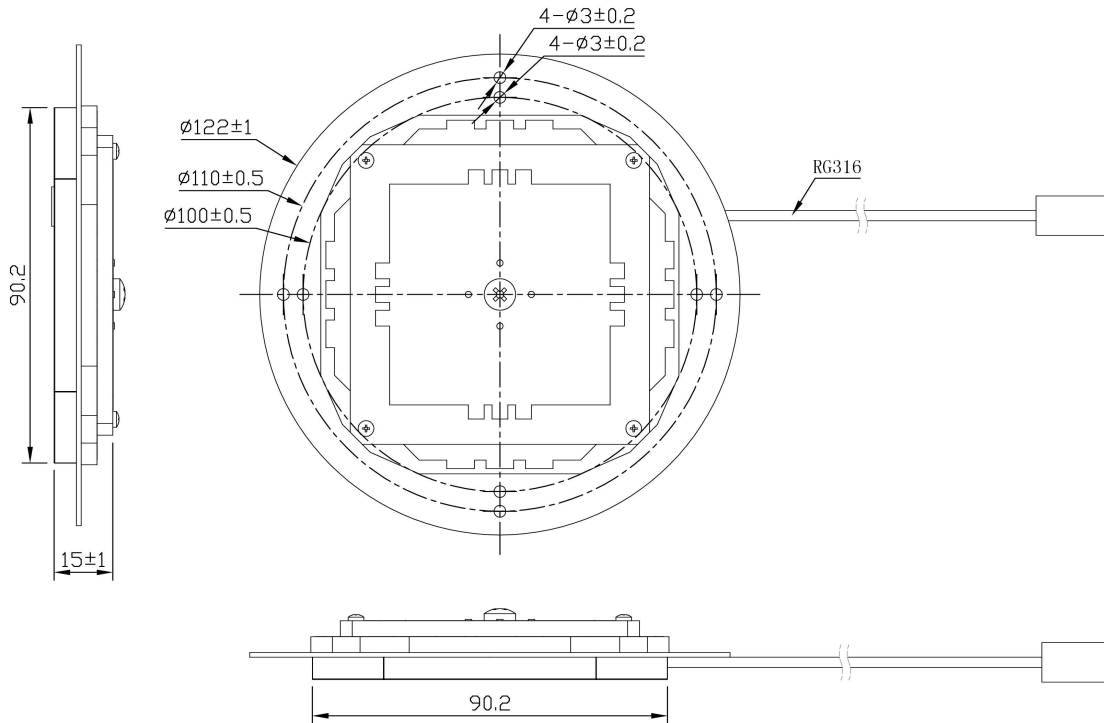


GNSS Surveying Antenna
JCN228



DIMENSIONS



Unit: mm

SPECIFICATIONS

Item		Specifications
Antenna	Frequency	GPS L1/L2 GLONASS G1/G2 COMPASS B1/B2/B3 Galileo E1/L1/E2/E5b/E6
	Polarization	RHCP
	Axial Ratio	≤ 3 dB
	V.S.W.R	≤ 1.5
	Peak Gain	≥ 5 dBi
	Impedance	50Ω
	Phase Center Error	± 2 mm



Jinchang Electron Global Service

	Horizontal coverage angle	360°
LNA	Gain	40±2dB
	Noise Figure	≤1.5dB
	Passband fluctuation	±1dB
	Supply Voltage	3~12V DC
	Current Consumption	≤45mA
	V.S.W.R	≤2.0
Mechanical	Connector	MCX or others
	Radome Material	ABS
	Mounting Method	Screw or Embedded
Environmental	Operating Temperature	-40°C~+85°C
	Relative Humidity	Up to 95%
	Environmentally Friendly	ROHS Compliant

“
”
”
”
”