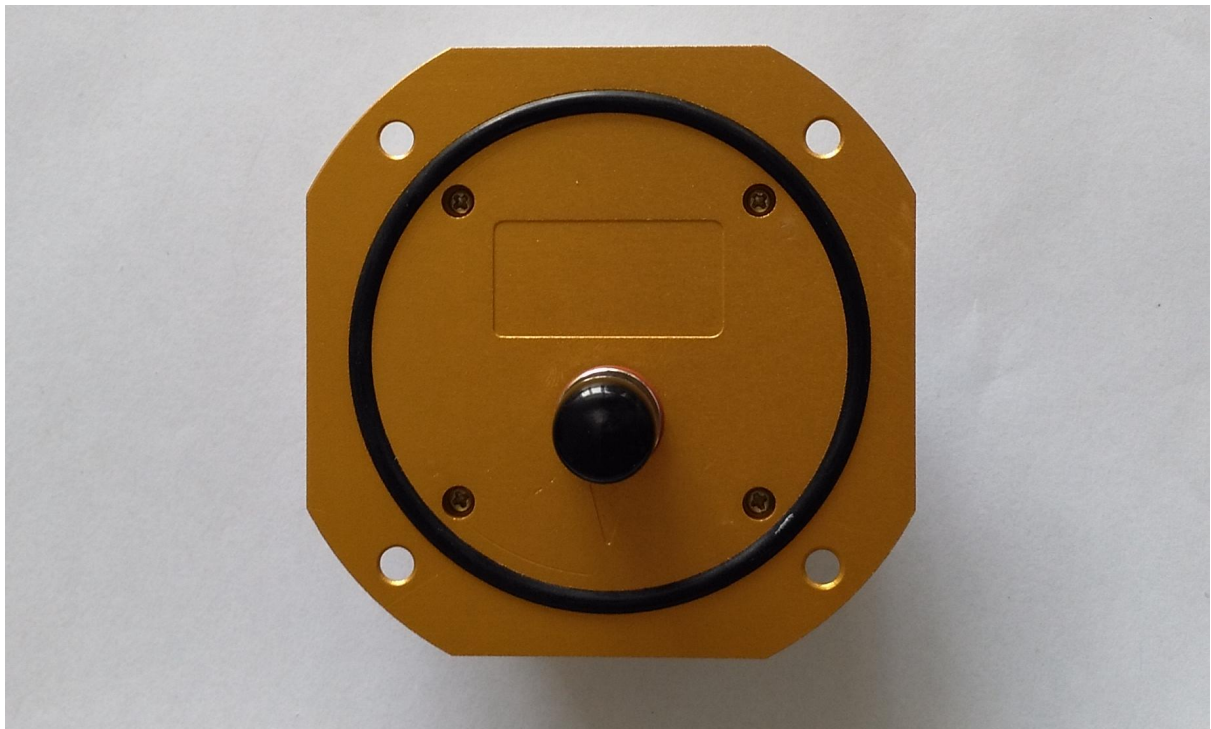
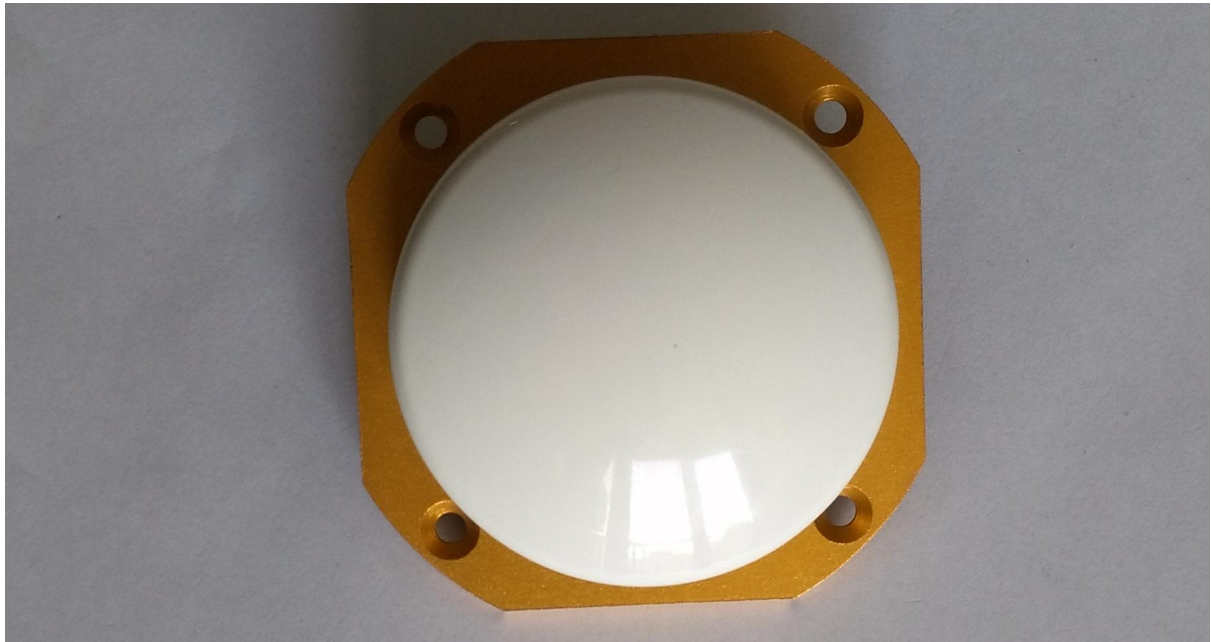
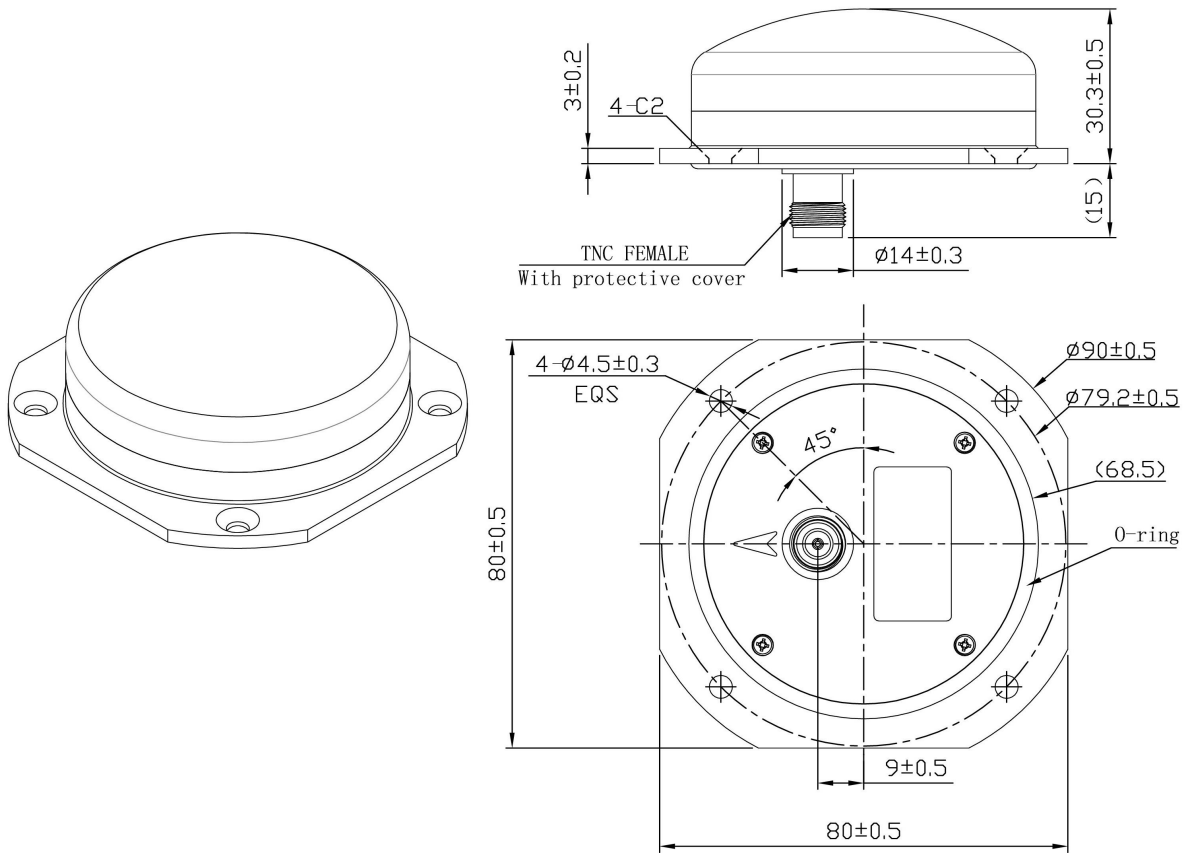


GNSS Aeria Antenna
JCA234



DIMENSIONS



UNIT : mm

SPECIFICATIONS

Item	Specifications	
Antenna	Frequency Range	1559.052~1616MHz 1205.094~1278.75MHz
	Polarization	RHCP
	Axial Ratio	$\leq 3\text{dB}$
	V.S.W.R	≤ 2.0
	Peak Gain	$\geq 3\text{dBi}$
	Impedance	$50\ \Omega$
	Horizontal Coverage Angle	360°
	Vertical Coverage Angle	$5^\circ \sim 90^\circ$

LNA	Gain	B2/L2/G2/B3/E5b/E6: $42 \pm 2\text{dB}$ B1/L1/G1/E1/E2: $40 \pm 2\text{dB}$
	Noise Figure	$\leq 1.5\text{dB}$
	Passband Fluctuation	$\pm 1\text{dB}$
	Supply Voltage	3.3~12V DC
	Current Consumption	$\leq 50\text{mA}$
	V.S.W.R	≤ 2.0
	Output 1dB Compression Point	$\geq 0\text{dBm}$
Mechanical	Connector	TNC-K
	Dimension	$\Phi 90\text{ mm}$
	Weight	$\approx 150\text{g}$
Environmental	Operating Temperature	$-40^{\circ}\text{C} \sim +85^{\circ}\text{C}$
	Storage temperature	$-40^{\circ}\text{C} \sim +85^{\circ}\text{C}$
	Relative Humidity	Up to 95% (Non condensing)
	Ingress Protection	IP67