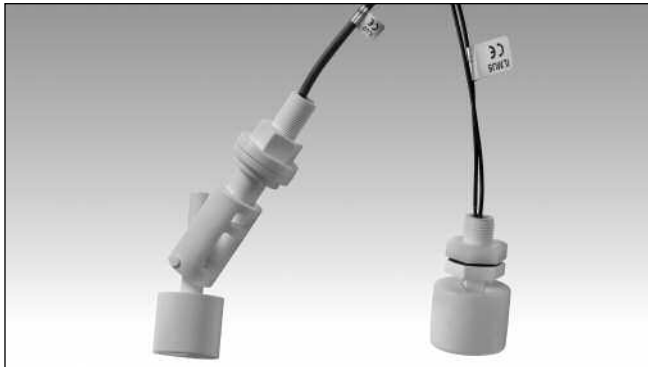


Proximity Magnetic sensors Level Magnetic Sensors ILMPU, ILU and ILMU Series

CARLO GAVAZZI



- Cylindrical, non toxic polypropylene housing
- NO, NC or CO output functions
- Reversible output function by sensor housing over turning
- XLPE, PVC or silicone cable output connection
- Horizontal mounting

Product Description

These models, for horizontal mounting, are made in non-toxic polypropylene. The ILMPU model, the

smallest one, can be used both as a NO and NC function depending on mounting direction

Ordering Key

ILU S2

Type _____
Reed contact type _____

Type Selection

Float diameter	Connection	Output function	Reference
Ø 17.5 mm	XLPE cable L= 0.3 m	NO, NC*	ILMPU 5
Ø 31 mm	PVC cable L= 0.3 m	NO, NC*	ILMU 5
Ø 45 mm	Silicone cable L= 0.5 m	NO	ILU 2
Ø 45 mm	Silicone cable L= 0.5 m	NO	ILU 8
Ø 45 mm	Silicone cable L= 0.5 m	CO	ILU S 2

*Reversible output function by sensor housing overturning

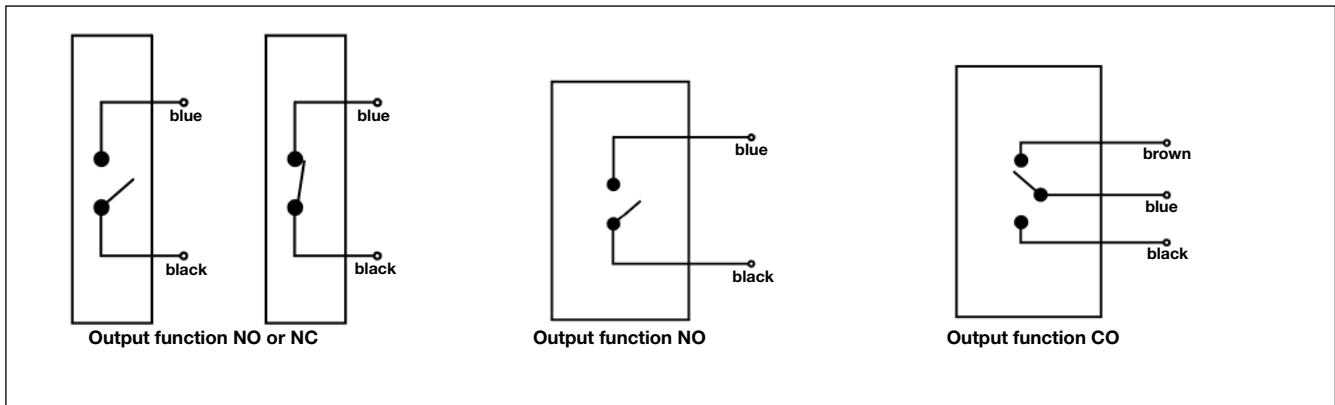
Output Specifications

Output ILMPU5, ILMU5 ILU2, ILU8 ILUS2	NO, NC NO Change-over
Contact ratings Max Switching Voltage ILU2 ILMPU5, ILMU5 ILU8 ILUS2	250 VAC 240 VAC, 200 VDC 1000 VAC 230 VAC
Max Switching Current ILU2 ILMPU5, ILMU5 ILU8 ILUS2	3 A 0.5 A 3 A 1 A
Max Switching Power ILU2 ILMPU5, ILMU5 ILU8 ILUS2	100 VA 50 VA 120 VA 60 VA

General Specifications

Operating temperature ILMPU5, ILMU5 ILU2, ILU8, ILUS2	-20 to +80 °C -25 to +100 °C
Degree of protection	IP 68 (cable output IP67)
Float Diameter ILMPU5 ILMU5 ILU2, ILU8, ILUS2 Material	Ø 17.5 mm Ø 31 mm Ø 45 mm non toxic polypropylene
Min liquid specific gravity ILMPU5, ILMU5 ILU2, ILU8, ILUS2	0.70 kg/dm ³ 0.75 kg/dm ³
Max pressure ILMPU5, ILMU5 ILU2, ILU8, ILUS2	2 kg/cm ² 100 kg/cm ²
CE-marking	Yes

Wiring Diagrams



Dimensions

