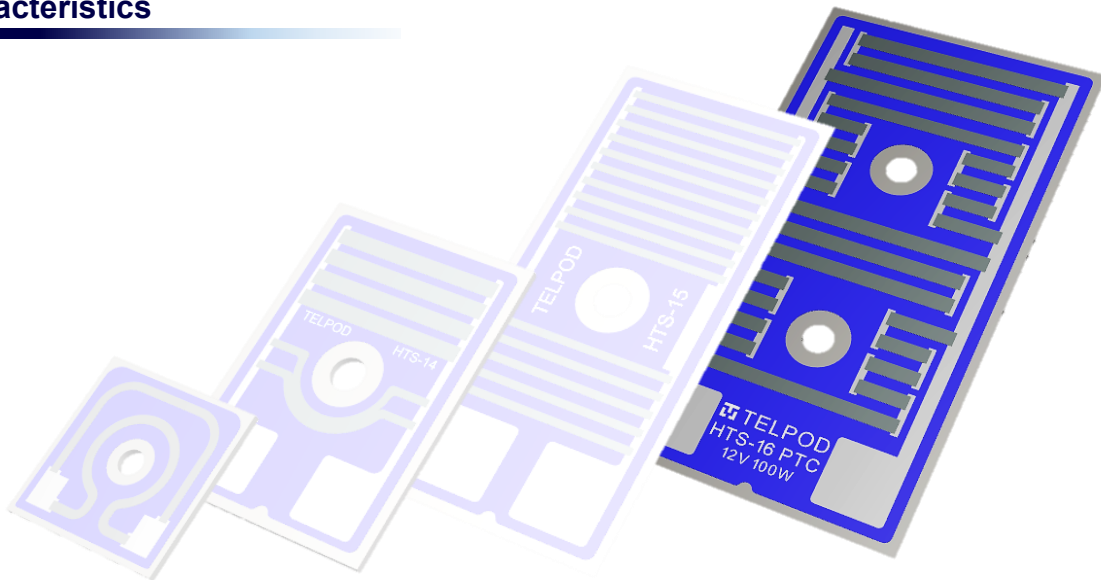


## Thick-film heating elements HTS-16

### Characteristics



### Description

HTS series heating elements are made in a thick film technology, on stainless steel substrates. These heaters are designed for contact heating of flat surfaces. In compare with an usual tubular heating elements, heaters on stainless steel substrate provides substantially better temperature transfer and higher power at compact size. These elements can also be useful in applications, where low thickness of the heating element is important. Another application of these elements is to use as a power resistor. HTS series elements have outputs in the form of contact/solder fields, soldered wires, connectors, or screw terminals.

### Features

- Very good power/volume ratio
- Power applications up to 500W
- Flat design
- Non inductive
- Easy mounting
- RoHS compliant



### Technical Specifications

	HTS-16-...
Power rating (on heatsink)	30 ... 500 W
Power Tolerance	±5%, ±10 %
Nominal Voltage	12 ... 240 V
Electric strength voltage	2,5 kV
Temperature coefficient	±100 ppm/°C (available also ±1500 ppm/°C, ±3000 ppm/°C)
Max operating temperature	170 °C (available also 300°C)
External dimensions	75,6 x 40 x 1 mm
Mounting - torque for contacts M4	1,6 Nm ... 1,8 Nm

## Thick-film heating elements HTS-16

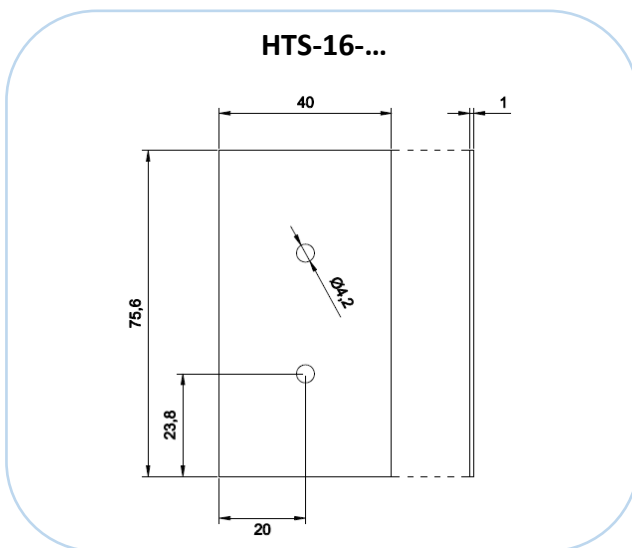
### Available versions

1500ppm/K	30W	60W	100W	300W	500W
12 V	✓	✓	✓	✗	✗
24 V	✓	✓	✓	✓	✓
48 V	✓	✓	✓	✓	✓
115 V	✓	✓	✓	✓	✓
230 V	✗	✓	✓	✓	✓

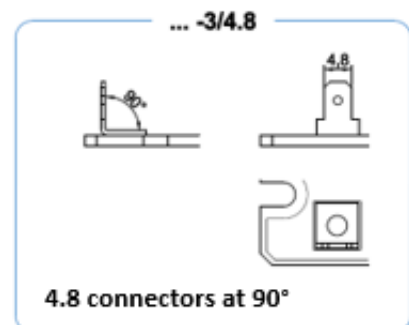
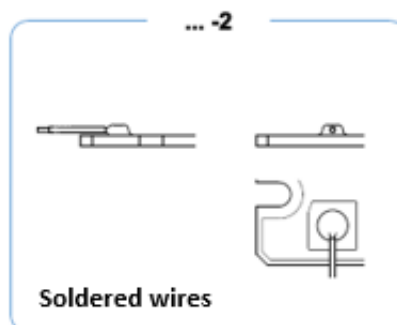
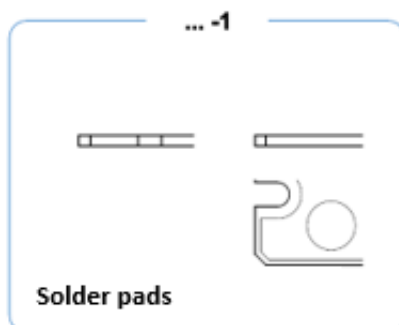
100ppm/K	30W	60W	100W	300W	500W
12 V	✓	✓	✗	✗	✗
24 V	✓	✓	✓	✗	✗
48 V	✓	✓	✓	✓	✓
115 V	✓	✓	✓	✓	✓
230 V	✓	✓	✓	✓	✓

### External dimensions

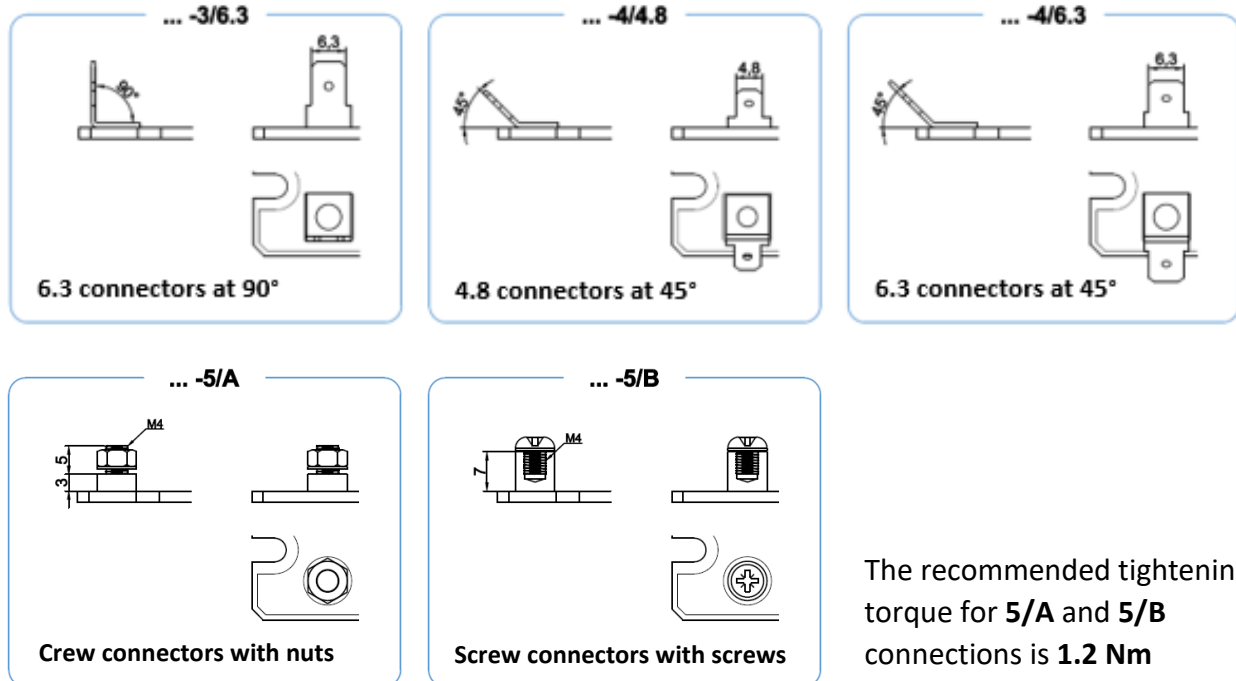
[mm]



### Types of terminals



## Thick-film heating elements HTS-16



### Mounting to the heat sink

The heating element should be screwed to the heat sink with M4 screws. Thermally conductive pads (thermocouples) can be used to ensure effective heat transfer.

### Ordering informations

Series	-	(TCR)	-	Voltage	-	Power	-	Tolerance	-	Terminal
HTS-16		" " – 100 ppm/K "PTC" – 1500 ppm/K		12 V 24 V 48 V 115 V 230 V		30 W 60 W 100 W 300 W 500 W		5 % 10 %		1 2 3/4.8 3/6.3 4/4.8 4/6.3 5/A 5/B

### Example

**HTS-16 - PTC - 24 - 40 - 5 - 5/A**

HTS-16 series heating element with TCR 1500 ppm/K for 24V, 40W, tolerance ± 5%, with screw and nut connection.